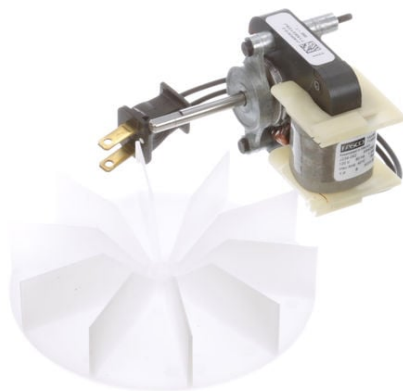


PRODUCT INFORMATION PACKET

FASCO®

Model No: K1550
Catalog No: K1550
1/150 HP C-Frame / Skeleton Motor, 3000 RPM, 120 Volts, OAO



Regal and Fasco are trademarks of Regal Rexnord Corporation or one of its affiliated companies.
©2022 Regal Rexnord Corporation, All Rights Reserved. MC017097E

RegalRexnord



Nameplate Specifications

Output HP	1/150 Hp	Output KW	0.01 kW
Frequency	60 Hz	Voltage	120 V
Current	.92 A	Speed	3000 rpm
Service Factor	1	Phase	1
Duty	Continuous Air Over	Insulation Class	B
Frame	C-FRAME	Enclosure	Open Air Over
Thermal Protection	Thermally Protected	Ambient Temperature	40 °C
UL	Recognized	CSA	Y
CE	N	Number of Speeds	1

Technical Specifications

Electrical Type	Shaded Pole	Starting Method	Across The Line
Poles	2	Rotation	Counterclockwise Shaft End
Mounting	Extended Studs	Drive End Bearing	Sleeve
Opp Drive End Bearing	Sleeve	Frame Material	Steel
Shaft Type	Flat	Frame Length	1.64 in
Shaft Diameter	0.217 in	Shaft Extension	1.624 in
Outline Drawing	71583125		

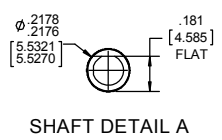
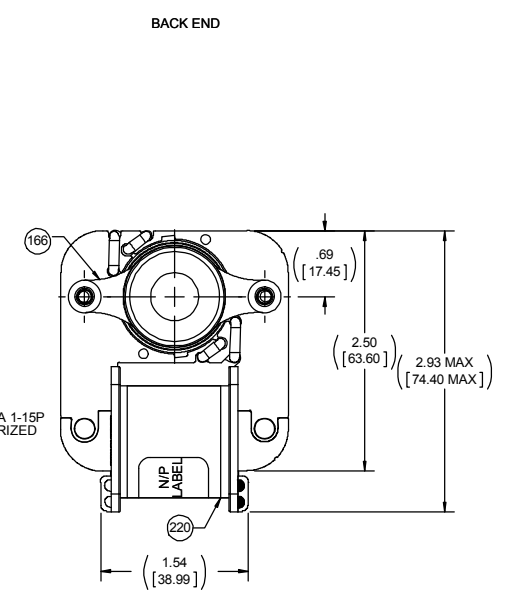
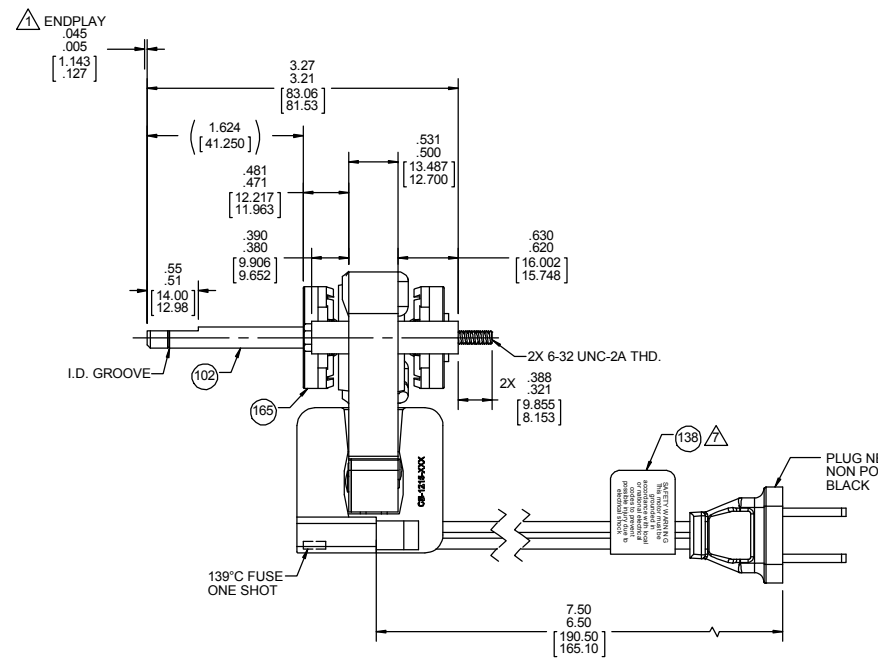
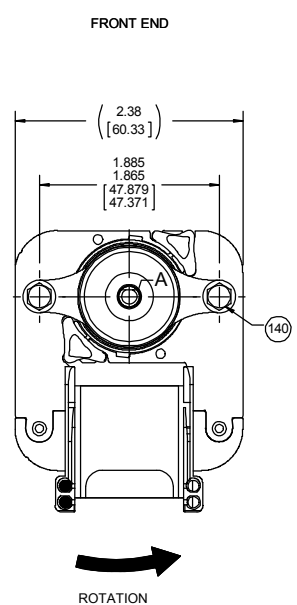
This is an uncontrolled document once printed or downloaded and is subject to change without notice. Date Created:11/29/2022

4

3

2

1



LEAD MATERIAL
18 GA. 125°C 2/64 INSUL.
X-LINKED POLY.

- NOTES:
- SHAFT EXTENSION MEASURED WITH END PLAY PUSHED IN.
 - NO SHIMS REQUIRED ON BACK END. SHIM FRONT END WITH (1) PC 245 OR (1) PC 246 AND 1 MINIMUM TO 4 MAXIMUM OF PC 247 AS REQUIRED TO MAINTAIN SPECIFIED ENDPLOY. NOTE PC 247 MUST BE AGAINST BEARING.
 - APPLY (1) DROP OF LUBRICANT TO AID START UP.
 - ROTOR CORE, STATOR CORE AND STATOR BAR ASSEMBLIES ARE COATED WITH TWIN EMULSION.
 - MOTOR MUST START AT 70 VOLTS.
 - HIPOT PER 88834420.
 - FOLD PC 138 IN HALF AROUND CORD.
 - PACK 1 MOTOR AND 1 FAN PER CONTAINER, 42 CONTAINERS PER LAYER, 6 LAYERS PER PALLET, 252 MAX. PER PALLET. PLACE FLAT PAD ON PALLET, BETWEEN EACH LAYER AND ON TOP OF PALLET LOAD.
 - CARTON LABELS MUST ALL FACE ONE DIRECTION TOWARD THE OPEN END OF THE PALLET. SEE 88834408.
 - NO PACKAGING TAPE OVER CARTON LABEL.

61305568

SAFETY WARNING
This motor must be grounded in accordance with local or national electrical codes to prevent possible injury due to electrical shock

AVERTISSEMENT DE SÉCURITÉ
Ce moteur doit être fondée sur conformément à la réglementation locale ou national électrique codes pour prévenir d'éventuelles blessures en raison de choc électrique

99583125 61299553

FASCO Model: K1550
71583125

Assembled in Mexico

J238-062 E64080 E48562

120 V 60 Hz 1.00 LRA .92 FLA

Max Amb: 40°C Ref. 1/150 HP

T.P. B 3000 RPM AO

CUSTOMER:	FASCO DIST.	APPLICATION:											
CUSTOMER PN:	K1550	MOTOR WEIGHT:	1 LB.										
UP		ENVIRONMENT:											
HORIZONTAL		MOTOR TYPE	REFERENCE SAMPLE										
DOWN		MOTOR, C-FRAME	B	LA	FR	A	S	C	E	B	A		
			00	58	52	X	16	BA	5	A	0		
TYPICAL PERFORMANCE AT 120 VOLTS 60 HZ													
IDLE				LOADED				LOCKED				BREAK	
MOTOR SPEED	RPM	AMP	WATT	IN OZ	RPM	AMP	WATT	IN OZ	AMP	WATT	IN OZ		
	3350	.90	41	2.0	3000	.92	45	2.4	1.00	57	3.8		

DRAWING REVISION	AA	REVISION BY	PLA	DATE	2/21/2019	TOLERANCES UNLESS OTHERWISE SPECIFIED:	DRAWN BY	PLA	
ECO	ECO-0161690	APPROVED BY	JMG	DATE	2/21/2019	DEC. INCH mm ANGLE	DATE	2/21/2019	
RELEASE FOR PRODUCTION						.X ±0.1 [±2.5] ±1°	APPROVED BY	JMG	
COPYRIGHT REGAL BELTO AMERICA, INC. ALL RIGHTS RESERVED.						.XX ±0.01 [±0.25]	DATE	2/21/2019	
PROPRIETARY AND CONFIDENTIAL INFORMATION. THIS DOCUMENT IS THE PROPERTY OF REGAL BELTO AMERICA, INC. OWNERS AND CONTAINS OWNERS PROPRIETARY INFORMATION. ANY PERSON, CORPORATION OR OTHER FIRM RECEIVING IT IS DEEMED TO HAVE AGREED TO THESE TERMS AND CONDITIONS. THIS DOCUMENT SHALL BE RETURNED TO OWNER UPON REQUEST. IT MAY BE SUBJECT TO CERTAIN RESTRICTIONS UNDER APPLICABLE EXPORT CONTROL LAWS AND REGULATIONS.						.XXX ±0.005 [±0.127]	DESCRIPTION	OUTLINE MOTOR ASSY	
						.XXXX ±0.0005 [±0.0127]	REFERENCE	2/21/2019	
						MACHINED SURFACES: .125/3.2 INCH/mmv	MATERIAL	NATURAL	
						mm SHOWN IN (BRACKETS)	THIRD ANGLE PROJECTION	SIZE	DRAWING NUMBER
								C	71583125
									SHEET
									1 OF 1

1

2

3

4