

Maximum Rating Tables

Size 860 • GR & EL Series



Single Reduction
Worm Gear Reducers

Double Reduction
Worm - Worm Gear Reducers

Double Reduction
Helical - Worm Gear Reducers

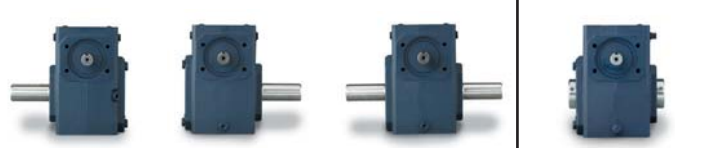
WASHGUARD® Reducers
and GEAR+MOTOR™

Ratio Multipliers

Accessories and
Additional Capabilities

Style B

Style H



Size 860









| Ratio | Input RPM | Output RPM | Input HP | Output HP | Output Torque (lb-in) | Left Hand Catalog No. | Right Hand Catalog No. | Double Extension Catalog No. | Hollow Output Catalog No.* |
|-------|-----------|------------|----------|-----------|-----------------------|-----------------------|------------------------|------------------------------|----------------------------|
| 5 | 2500 | 500 | 39.83 | 38.29 | 4827 | _8600085 | _8600090 | _8600095 | _8600501.XX |
| | 1750 | 350 | 35.10 | 33.70 | 6068 | | | | |
| | 1170 | 234 | 29.94 | 28.69 | 7726 | | | | |
| 7.5 | 100 | 20 | 6.203 | 5.581 | 17587 | _8600086 | _8600091 | _8600096 | _8600502.XX |
| | 2500 | 333 | 34.20 | 32.60 | 6163 | | | | |
| | 1750 | 233 | 29.98 | 28.52 | 7704 | | | | |
| 10 | 1170 | 156 | 25.41 | 24.11 | 9740 | _8600001 | _8600008 | _8600015 | _8600503.XX |
| | 100 | 13 | 5.018 | 4.371 | 20662 | | | | |
| | 2500 | 250 | 28.53 | 26.90 | 6782 | | | | |
| 15 | 1750 | 175 | 24.99 | 23.51 | 8467 | _8600002 | _8600009 | _8600016 | _8600504.XX |
| | 1170 | 117 | 21.17 | 19.84 | 10687 | | | | |
| | 100 | 10 | 4.198 | 3.542 | 22324 | | | | |
| 20 | 2500 | 166 | 21.95 | 20.17 | 7628 | _8600003 | _8600010 | _8600017 | _8600505.XX |
| | 1750 | 116 | 19.23 | 17.61 | 9515 | | | | |
| | 1170 | 78 | 16.30 | 14.85 | 11996 | | | | |
| 25 | 100 | 6.7 | 3.337 | 2.623 | 24797 | _8600004 | _8600011 | _8600018 | _8600506.XX |
| | 2500 | 125 | 17.93 | 16.11 | 8123 | | | | |
| | 1750 | 87 | 15.71 | 14.06 | 10127 | | | | |
| 30 | 1170 | 58 | 13.32 | 11.84 | 12758 | _8600005 | _8600012 | _8600019 | _8600507.XX |
| | 100 | 5.0 | 2.805 | 2.078 | 26194 | | | | |
| | 2500 | 100 | 14.89 | 13.04 | 8219 | | | | |
| 40 | 1750 | 70 | 13.06 | 11.378 | 10245 | _8600006 | _8600013 | _8600020 | _8600508.XX |
| | 1170 | 46 | 11.094 | 9.582 | 12903 | | | | |
| | 100 | 4.0 | 2.418 | 1.678 | 26436 | | | | |
| 50 | 2500 | 83 | 12.73 | 10.87 | 8222 | _8600007 | _8600014 | _8600021 | _8600509.XX |
| | 1750 | 58 | 11.177 | 9.486 | 10249 | | | | |
| | 1170 | 39 | 9.507 | 7.989 | 12911 | | | | |
| 60 | 100 | 3.3 | 2.143 | 1.400 | 26480 | _8600008 | _8600093 | _8600098 | _8600510.XX |
| | 2500 | 62 | 9.922 | 8.119 | 8187 | | | | |
| | 1750 | 43 | 8.722 | 7.083 | 10203 | | | | |
| 80 | 1170 | 29 | 7.433 | 5.963 | 12848 | _8600009 | _8600094 | _8600099 | _8600511.XX |
| | 100 | 2.5 | 1.761 | 1.042 | 26260 | | | | |
| | 2500 | 50 | 8.226 | 6.417 | 8088 | | | | |
| 100 | 1750 | 35 | 7.242 | 5.597 | 10079 | _8600089 | _8600094 | _8600099 | _8600512.XX |
| | 1170 | 23 | 6.188 | 4.712 | 12691 | | | | |
| | 100 | 2.0 | 1.544 | 0.823 | 25925 | | | | |
| 100 | 2500 | 41 | 6.977 | 5.202 | 7869 | _8600088 | _8600093 | _8600098 | _8600511.XX |
| | 1750 | 29 | 6.152 | 4.539 | 9808 | | | | |
| | 1170 | 19 | 5.269 | 3.822 | 12352 | | | | |
| 100 | 100 | 1.7 | 1.376 | 0.669 | 25283 | _8600088 | _8600093 | _8600098 | _8600511.XX |
| | 2500 | 31 | 4.130 | 2.939 | 5962 | | | | |
| | 1750 | 21 | 3.702 | 2.522 | 7264 | | | | |
| 100 | 100 | 1.3 | 0.950 | 0.382 | 19249 | _8600089 | _8600094 | _8600099 | _8600512.XX |
| | 2500 | 25 | 2.849 | 1.905 | 4802 | | | | |
| | 1750 | 17 | 2.571 | 1.635 | 5886 | | | | |
| 100 | 1170 | 11 | 2.323 | 1.376 | 7408 | _8600089 | _8600094 | _8600099 | _8600512.XX |
| | 100 | 1.0 | 0.686 | 0.244 | 15389 | | | | |

How To Build a Part Number For Size GR860, EL860

1. Select partial catalog number from the selection table
2. Replace leading “_” with series code (GR, EL)
3. For hollow output, replace “XX” suffix with bore code (see next page for codes)

Example:

Grove Gear IRONMAN, style B, 5:1 ratio, left hand output
 GR-B860-5-L
 GR8600085

| | Style BM | | | Style HM | Style BMQ | | | Style HMQ | |
|-----------------------|---|---|---|---|---|--|---|---|-------|
| |  |  |  |  |  |  |  |  | |
| NEMA C Input Flange ▲ | Left Hand Catalog No. | Right Hand Catalog No. | Double Extension Catalog No. | Hollow Output Catalog No.* | Left Hand Catalog No. | Right Hand Catalog No. | Double Extension Catalog No. | Hollow Output Catalog No.* | Ratio |
| 254-6TC | __8600130 | __8600135 | __8600140 | __8600537.XX | __8600289 | __8600301 | __8600313 | __8600597.XX | 5 |
| 254-6TC | __8600131 | __8600136 | __8600141 | __8600538.XX | __8600290 | __8600302 | __8600314 | __8600598.XX | 7.5 |
| 213-5TC 254-6TC | __8600043 __8600064 | __8600050 __8600071 | __8600057 __8600078 | __8600527.XX __8600539.XX | __8600255 __8600291 | __8600267 __8600303 | __8600279 __8600315 | __8600587.XX __8600599.XX | 10 |
| 213-5TC 254-6TC | __8600044 __8600065 | __8600051 __8600072 | __8600058 __8600079 | __8600528.XX __8600540.XX | __8600256 __8600292 | __8600268 __8600304 | __8600280 __8600316 | __8600588.XX __8600600.XX | 15 |
| 182-4TC 213-5TC | __8600024 __8600045 | __8600031 __8600052 | __8600038 __8600059 | __8600517.XX __8600529.XX | __8600221 __8600257 | __8600233 __8600269 | __8600245 __8600281 | __8600577.XX __8600589.XX | 20 |
| 182-4TC 213-5TC | __8600102 __8600117 | __8600107 __8600122 | __8600112 __8600127 | __8600518.XX __8600530.XX | __8600222 __8600258 | __8600234 __8600270 | __8600246 __8600282 | __8600578.XX __8600590.XX | 25 |
| 182-4TC 213-5TC | __8600025 __8600046 | __8600032 __8600053 | __8600039 __8600060 | __8600519.XX __8600531.XX | __8600223 __8600259 | __8600235 __8600271 | __8600247 __8600283 | __8600579.XX __8600591.XX | 30 |
| 182-4TC 213-5TC | __8600026 __8600047 | __8600033 __8600054 | __8600040 __8600061 | __8600520.XX __8600532.XX | __8600224 __8600260 | __8600236 __8600272 | __8600248 __8600284 | __8600580.XX __8600592.XX | 40 |
| 182-4TC | __8600027 | __8600034 | __8600041 | __8600521.XX | __8600225 | __8600237 | __8600249 | __8600581.XX | 50 |
| 143-5TC 182-4TC | __8600028 | __8600035 | __8600042 | __8600522.XX | __8600190 __8600226 | __8600202 __8600238 | __8600214 __8600250 | __8600570.XX __8600582.XX | 60 |
| 143-5TC 182-4TC | __8600103 | __8600108 | __8600113 | __8600523.XX | __8600191 __8600227 | __8600203 __8600239 | __8600215 __8600251 | __8600571.XX __8600583.XX | 80 |
| 143-5TC 182-4TC | __8600104 | __8600109 | __8600114 | __8600524.XX | __8600192 __8600228 | __8600204 __8600240 | __8600216 __8600252 | __8600572.XX __8600584.XX | 100 |

For input/ output shaft overhung load and thrust load ratings, refer to pages 419-422.

▲ Consult Factory for other motor flanges available.

* Catalog numbers are for hollow output shaft reducers.

When ordering, substitute the XX suffix with the required output bore code.

Available bore codes

| Fraction Size | 2" | 2-3/16" | 2-1/4" | 2-7/16" | 2-1/2" | 2-11/16" | 2-15/16" | 3" | 3-3/16" | 3-7/16" |
|------------------|-------|---------|--------|---------|--------|----------|----------|-------|---------|---------|
| Decimal Size | 2.000 | 2.188 | 2.250 | 2.438 | 2.500 | 2.688 | 2.938 | 3.000 | 3.188 | 3.438 |
| Output Bore Code | 32 | 35 | 36 | 39 | 40 | 43 | 47 | 48 | 51 | 55 |

Single Reduction
Worm Gear Reducers

Double Reduction
Worm - Worm Gear Reducers

Double Reduction
Helical - Worm Gear Reducers

WASHGUARD® Reducers
and GEAR+MOTOR™

Ratio Multipliers

Accessories and
Additional Capabilities



GR Series Dimensions

Styles: HMQ, HM, H

CAST IRON
GR SERIES

Single Reduction
Worm Gear Reducers

Double Reduction
Worm - Worm Gear Reducers

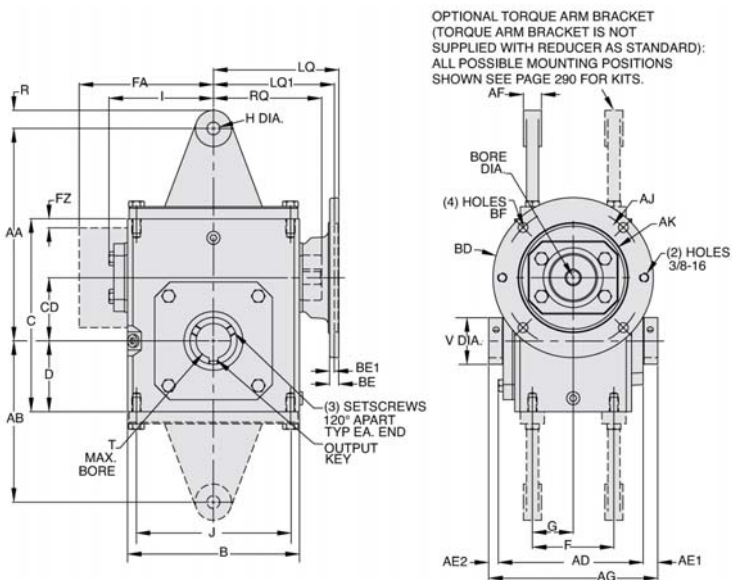
Double Reduction
Helical - Worm Gear Reducers

WASHGUARD® Reducers
and GEAR+MOTOR™

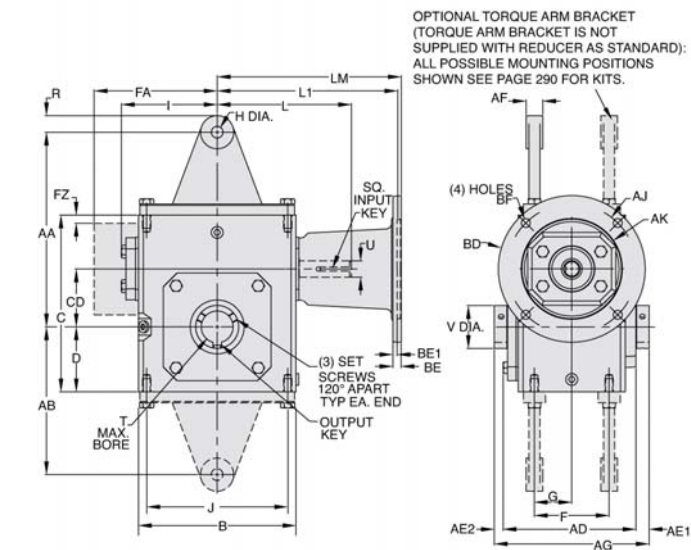
Ratio Multipliers

Accessories and
Additional Capabilities

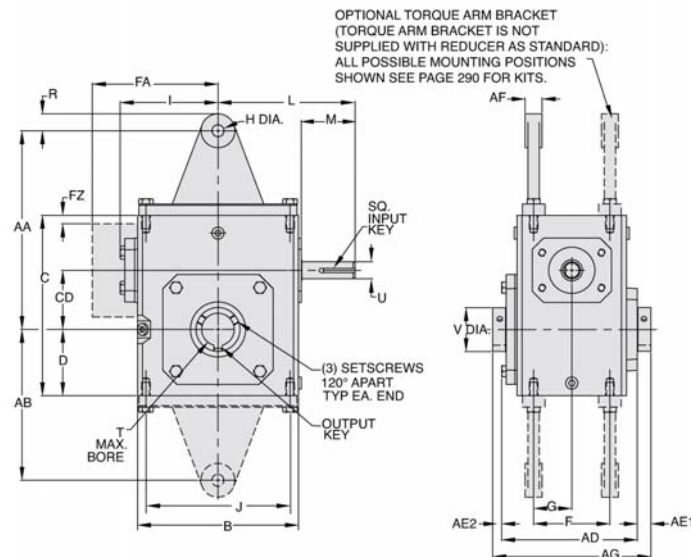
Style HMQ



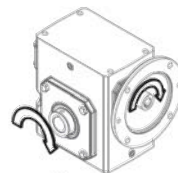
Style HM



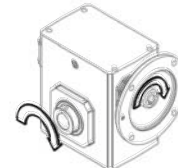
Style H



ASSEMBLIES



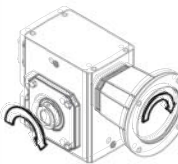
H1



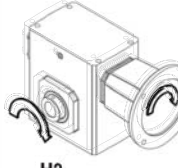
H2

H1 SUPPLIED AS STANDARD UNLESS SPECIFIED.

ASSEMBLIES



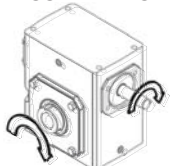
H1



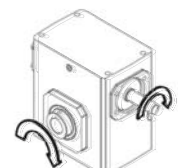
H2

H1 SUPPLIED AS STANDARD UNLESS SPECIFIED.

ASSEMBLIES



H1



H2

REVERSE ALL ARROWS FOR OPPOSITE INPUT SHAFT ROTATION. CONTACT FACTORY FOR OTHER MOUNTINGS OR ASSEMBLY POSITIONS.

H1 SUPPLIED AS STANDARD UNLESS SPECIFIED.



STYLE HMQ, HM, H DIMENSIONS (Inches)

| Series | AD | AE1 | AE2 | AG | B | C | D | CD | F | FA▼ | FZ▼ | G | I | J | L | M | V | T MAX -0.000 +0.0025 | U +0.000 -0.0015 | Input Key* | Output Key + |
|--------|-------|------|------|-------|-------|-------|-------|-------|------|-------|------|------|------|-------|-------|------|-------|----------------------------|------------------------|--------------|---------------|
| GR813 | 3.90 | 0.53 | 0.32 | 4.75 | 3.80 | 4.66 | 1.72 | 1.33 | 2.00 | N/A | N/A | 1.00 | 2.61 | 3.25 | 3.82 | 1.76 | 1.000 | 0.625 | 0.500 | 1/8 x 1.00 | 3/16 x 1.50 |
| GR815 | 4.61 | 0.51 | 0.30 | 5.42 | 5.19 | 5.38 | 1.91 | 1.54 | 2.75 | N/A | N/A | 1.38 | 3.14 | 4.19 | 4.35 | 1.76 | 1.000 | 0.625 | 0.625 | 3/16 x 1.38 | 3/16 x 1.50 |
| GR818 | 4.73 | 0.49 | 0.28 | 5.50 | 5.19 | 5.75 | 2.06 | 1.75 | 2.75 | N/A | N/A | 1.38 | 3.24 | 4.19 | 4.45 | 1.76 | 1.440 | 1.000 | 0.625 | 3/16 x 1.38 | 1/4 x 3.00 |
| GR821 | 4.99 | 0.61 | 0.40 | 6.00 | 5.80 | 6.38 | 2.28 | 2.06 | ▲ | N/A | N/A | 1.44 | 3.61 | ▲ | 4.82 | 1.76 | 1.940 | 1.500 | 0.625 | 3/16 x 1.38 | 3/8 x 3.00 |
| GR824 | 5.18 | 0.51 | 0.31 | 6.00 | 6.12 | 6.94 | 2.50 | 2.38 | 2.88 | N/A | N/A | 1.44 | 3.77 | 5.00 | 5.51 | 2.38 | 1.940 | 1.500 | 0.750 | 3/16 x 1.63 | 3/8 x 3.00 |
| GR826x | 6.01 | 0.60 | 0.39 | 7.00 | 7.38 | 8.00 | 2.94 | 2.63 | 3.38 | N/A | N/A | 1.69 | 4.34 | 6.38 | 6.07 | 2.38 | 1.940 | 1.500 | 0.750 | 3/16 x 1.63 | 3/8 x 3.00 |
| GR830 | 6.53 | 0.60 | 0.36 | 7.50 | 8.12 | 8.88 | 3.25 | 3.00 | 4.00 | N/A | N/A | 2.00 | 4.84 | 7.00 | 6.57 | 2.38 | 2.756 | 2.188 | 0.875 | 3/16 x 1.63 | 1/2 x 3.00 |
| GR832x | 7.04 | 0.54 | 0.29 | 7.88 | 8.75 | 9.38 | 3.50 | 3.25 | 4.00 | N/A | N/A | 2.00 | 5.02 | 7.50 | 6.76 | 2.38 | 2.756 | 2.188 | 0.875 | 3/16 x 1.63 | 1/2 x 3.00 |
| GR842 | 7.53 | 0.63 | 0.34 | 8.50 | 10.25 | 11.38 | 4.44 | 4.25 | 5.00 | N/A | N/A | 2.50 | 6.10 | 8.50 | 9.57 | 3.47 | 2.756 | 2.188 | 1.250 | 1/4 x 2.50 | 1/2 x 3.00 |
| GR852 | 8.85 | 0.97 | 0.68 | 10.50 | 13.00 | 14.00 | 5.12 | 5.25 | 5.81 | N/A | N/A | 2.91 | 7.50 | 11.00 | 10.88 | 3.38 | 4.260 | 3.438 | 1.250 | 1/4 x3.00 | 7/8 x3.44 |
| GR860 | 10.52 | 0.52 | 0.52 | 11.50 | 14.50 | 16.50 | 6.50 | 6.00 | 6.38 | 11.13 | 0.33 | 3.19 | N/A | 12.75 | 11.78 | 3.41 | 4.256 | 3.438 | 1.500 | 3/8 x 3.00 | 7/8 x 3.44 |
| GR870 | 11.36 | 1.09 | 1.09 | 13.50 | 14.88 | 18.91 | 7.59 | 7.00 | 5.50 | 11.37 | 0.35 | 2.75 | N/A | 12.50 | 11.50 | 2.97 | 4.928 | 3.938 | 1.625 | 3/8 x 2.87** | 1 x 1/2** |
| GR880 | 12.48 | 1.03 | 1.03 | 14.50 | 17.00 | 20.96 | 8.86 | 8.00 | 6.50 | 12.52 | 0.57 | 3.25 | N/A | 14.25 | 12.50 | 2.84 | 5.553 | 4.438 | 1.875 | 1/2 x 2.81** | 1 x 1/2** |
| GR8100 | 15.78 | 1.39 | 1.39 | 18.50 | 20.88 | 25.47 | 10.36 | 10.00 | 6.88 | 14.69 | 0.51 | 3.44 | N/A | 14.75 | 15.50 | 3.76 | 4.256 | 5.438 | 2.250 | 1/2 x 3.69** | 1-1/4 x 5/8** |

▲ See feature comparison chart.

FEATURE COMPARISON (821)

| Size | Output Shaft Diameter Needed? | Mounting Footprint Needed? | Output Key Needed? | All Other Features | Grove Gear Flexaline Interchange | LEESON IRONMAN Interchange | Replace With Series Code Below: |
|-------|-------------------------------|--|--------------------|--------------------|----------------------------------|----------------------------|---------------------------------|
| GR821 | Identical | (F)3.00" x (J)4.75" (F)2.88" x (J)5.00" | Identical | Identical | ✓ | ✓ | GRG GRL |

NOTE: If reducer is used without the accessory mounted, select based mounting dimensions on pages 52-53 (B, BM, BMQ).

Motor Mounting Dimensions
NEMA DIMENSIONS (Inches)

| Size | 48CZ | LM | 56C/140TC | 180TC/210TC | L1 | 250TC | LQ | 48CZ/56C/140TC | 180TC | LQ1 | 210TC | 250TC | 48CZ/56C/140TC | 180TC | RQ | 210TC | 250TC |
|--------|------|-------|-----------|-------------|-------|-------|------|----------------|-------|------|-------|-------|----------------|-------|-----|-------|-------|
| GR813 | 5.63 | 6.07 | N/A | N/A | N/A | N/A | 3.46 | N/A | N/A | N/A | N/A | N/A | 3.09 | N/A | N/A | N/A | N/A |
| GR815 | 6.16 | 6.60 | N/A | N/A | N/A | N/A | 3.99 | N/A | N/A | N/A | N/A | N/A | 3.62 | N/A | N/A | N/A | N/A |
| GR818 | 6.26 | 6.70 | N/A | N/A | N/A | N/A | 4.09 | N/A | N/A | N/A | N/A | N/A | 3.59 | N/A | N/A | N/A | N/A |
| GR821* | 6.63 | 7.07 | N/A | N/A | N/A | N/A | 4.46 | N/A | N/A | N/A | N/A | N/A | 4.06 | N/A | N/A | N/A | N/A |
| GR824 | N/A | 7.76 | 8.76 | N/A | 4.63 | 5.06 | N/A | N/A | 4.09 | 4.56 | N/A | N/A | N/A | N/A | N/A | N/A | N/A |
| GR826* | N/A | 8.32 | 9.32 | N/A | 5.19 | 5.62 | N/A | N/A | 4.82 | 5.13 | N/A | N/A | N/A | N/A | N/A | N/A | N/A |
| GR830 | N/A | 8.82 | 9.82 | N/A | 5.95 | 6.15 | 6.56 | N/A | 5.32 | 5.63 | 6.06 | N/A | N/A | N/A | N/A | N/A | N/A |
| GR832* | N/A | 9.01 | 10.01 | N/A | 6.14 | 6.34 | 6.75 | N/A | 5.51 | 5.81 | 6.25 | N/A | N/A | N/A | N/A | N/A | N/A |
| GR842 | N/A | 11.81 | 12.90 | 13.46 | 6.45 | 7.21 | 7.21 | 7.77 | 6.04 | 6.68 | 6.68 | 7.24 | N/A | N/A | N/A | N/A | N/A |
| GR852 | N/A | 13.21 | 14.30 | 14.86 | 7.85 | 8.61 | 8.61 | 9.17 | 7.35 | 7.98 | 7.98 | 8.54 | N/A | N/A | N/A | N/A | N/A |
| GR860 | N/A | N/A | 15.88 | 16.50 | 10.45 | 9.33 | 9.33 | 9.94 | 10.01 | 8.69 | 8.69 | 8.69 | N/A | N/A | N/A | N/A | N/A |
| GR870 | N/A | N/A | 15.50 | 15.50 | N/A | N/A | N/A | N/A | N/A | N/A | N/A | N/A | N/A | N/A | N/A | N/A | N/A |
| GR880 | N/A | N/A | 16.58 | 16.58 | N/A | N/A | N/A | N/A | N/A | N/A | N/A | N/A | N/A | N/A | N/A | N/A | N/A |

NEMA DIMENSIONS (Inches)

| Frame | AjB | AK | BD | BE | BE1 | Bore Dia. | Keyway♦ | BFb |
|-------|------|------|------|------|------|-----------|-------------|------|
| | 3.75 | 3.00 | 4.36 | 0.38 | N/A | .500 | 1/8 X 1/16 | 0.28 |
| 56C | 5.88 | 4.50 | 6.50 | 0.38 | N/A | .625 | 3/16 X 3/32 | 0.41 |
| 140TC | 5.88 | 4.50 | 6.50 | 0.38 | N/A | .875 | 3/16 X 3/32 | 0.41 |
| 180TC | 7.25 | 8.50 | 9.00 | N/A | 0.50 | 1.125 | 1/4 X 1/8 | 0.53 |
| 210TC | 7.25 | 8.50 | 9.00 | N/A | 0.50 | 1.375 | 5/16 X 5/32 | 0.53 |
| 250TC | 7.25 | 8.50 | 9.00 | N/A | 0.50 | 1.625 | 3/8 X 3/16 | 0.53 |

IEC B5 & B3/B5 METRIC DIMENSIONS (Inches)*

| Size | LQ1 | | | | | | RQ | | | | | |
|--------|------|------|------|------|---------------|-------|------|------|------|------|---------------|-------|
| | D63D | D71D | D80D | D90D | D100LD/D112MD | D132D | D63D | D71D | D80D | D90D | D100LD/D112MD | D132D |
| GR813 | 2.62 | 2.65 | 2.89 | N/A | N/A | N/A | 2.45 | 2.47 | 2.71 | N/A | N/A | N/A |
| GR815 | 3.15 | 3.18 | 3.42 | N/A | N/A | N/A | 2.98 | 3.00 | 3.24 | N/A | N/A | N/A |
| GR818 | 3.25 | 3.28 | 3.52 | N/A | N/A | N/A | 2.95 | 2.97 | 3.21 | N/A | N/A | N/A |
| GR821* | 3.62 | 3.65 | 3.89 | N/A | N/A | N/A | 3.43 | 3.44 | 3.68 | N/A | N/A | N/A |
| GR824 | N/A | 3.72 | 4.34 | N/A | N/A | N/A | 3.46 | 3.71 | N/A | N/A | N/A | N/A |
| GR826* | N/A | 4.28 | 4.90 | 4.90 | 5.30 | N/A | N/A | 4.09 | 4.72 | 4.72 | 5.07 | N/A |
| GR830 | N/A | 4.78 | 5.41 | 5.41 | 5.88 | N/A | N/A | 4.59 | 5.22 | 5.22 | 5.57 | N/A |
| GR832* | N/A | 4.97 | 5.59 | 5.59 | 6.07 | N/A | N/A | 4.78 | 5.41 | 5.41 | 5.76 | N/A |
| GR842 | N/A | N/A | N/A | 6.38 | 6.39 | 7.17 | N/A | N/A | N/A | 6.16 | 6.14 | 6.93 |
| GR852 | N/A | N/A | N/A | 7.78 | 7.78 | 8.57 | N/A | N/A | N/A | 7.46 | 7.45 | 8.24 |

IEC B5 & B3/B5 METRIC DIMENSIONS (MM)

| Frame | AJ | AK | BD | BE | Bore Dia. | Keyway♦ | BF TAP | OD |
|---------------|-----|-----|-----|----|-----------|---------|------------|-----|
| D63D | 115 | 95 | 117 | 10 | 11 | 4 X 2 | M8 X 1.25 | 131 |
| D71D | 130 | 110 | 132 | 11 | 14 | 5 X 2.5 | M8 X 1.25 | 146 |
| D80D | 165 | 130 | 165 | 15 | 19 | 6 X 3 | M10 X 1.50 | 184 |
| D90D | 165 | 130 | 165 | 15 | 24 | 8 X 3.5 | M10 X 1.50 | 184 |
| D100LD/D112MD | 215 | 180 | 216 | 18 | 28 | 8 X 3.5 | M12 X 1.75 | 237 |
| D132D | 265 | 230 | 267 | 18 | 38 | 10 X 4 | M12 X 1.75 | 290 |

* Max bore dimensions shown. For additional bores available, refer to page 20.

* Applies to double output shaft

** Key not provided with gear reducer. Keyway dimension shown.

♦ Keyway width by depth

⊙ Mounting holes rotated 45 degrees from positions shown on Size GR860, Style HM with frame sizes 180TC-250TC.

■ 48CZ not available

● 180TC not available

⊕ Metric IEC B5 input flange options are available only on quill input styles.

* Dimensions same for GRG and GRL Series

* Style H and HM only.

▼ Sizes 860-8100 are supplied with a fan. Dimensions refer to fan guard location.

Note: Torque arm bracket available separately. Refer to page 274 for kits. If a special bracket is required, refer to Style BMQ dimensions for mounting pad dimensions on top/bottom of reducer.



For safety, purchaser or user should provide protective guards over shaft extensions and any couplings, sheaves and belts, sprockets and chains, etc., mounted thereon.

Single Reduction
Worm Gear Reducers

Double Reduction
Worm - Worm Gear Reducers

Double Reduction
Helical - Worm Gear Reducers

WASHGARD® Reducers
and GEAR-HMOTOR™

Ratio Multipliers

Accessories and
Additional Capabilities