

# Bravo™ Maximum Rating Tables

## 525 & 534 Series • All Stock Styles

BRAVO®  
Single Reduction Reducers

BRAVO® Worm - Worm  
Double Reduction

BRAVO® Helical - Worm  
Double Reduction

BRAVO® Accessory Kits

Quadro - Single Reduction

High Efficiency Helical - Inline



### 525 Series • 1.0 S.F.

Exact Ratio*	Input RPM	Output RPM	Input HP	Output HP	Output Torque (lb-in)
<b>29.5</b>	1750	59.4	1.767	1.307	1387
	1150	39.0	1.221	0.903	1460
<b>37.2</b>	1750	47.0	1.417	1.034	1387
	1150	30.9	0.981	0.716	1460
<b>46.5</b>	1750	37.6	1.340	0.938	1572
	1150	24.7	0.927	0.649	1655
<b>55.8</b>	1750	31.4	1.224	0.783	1572
	1150	20.6	0.845	0.541	1655
<b>69.8</b>	1750	25.09	1.026	0.626	1572
	1150	16.49	0.710	0.433	1655
<b>87.8</b>	1750	19.94	0.731	0.526	1664
	1150	13.10	0.506	0.364	1752
<b>110.9</b>	1750	15.78	0.595	0.417	1664
	1150	10.37	0.412	0.288	1752
<b>138.6</b>	1750	12.63	0.505	0.333	1664
	1150	8.30	0.350	0.231	1752
<b>166.3</b>	1750	10.52	0.463	0.278	1664
	1150	6.91	0.320	0.192	1752
<b>207.9</b>	1750	8.42	0.359	0.198	1480
	1150	5.53	0.249	0.137	1558
<b>309.5</b>	1750	5.65	0.260	0.133	1480
	1150	3.72	0.180	0.092	1558
<b>369.6</b>	1750	4.73	0.236	0.111	1480
	1150	3.11	0.164	0.077	1558
<b>434.3</b>	1750	4.03	0.166	0.070	1093
	1150	2.65	0.115	0.048	1151

\* Contact Factory for additional ratio options available.

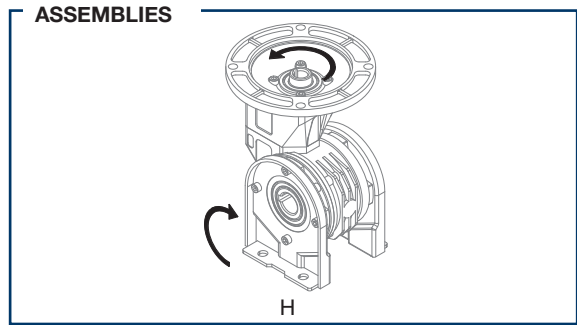
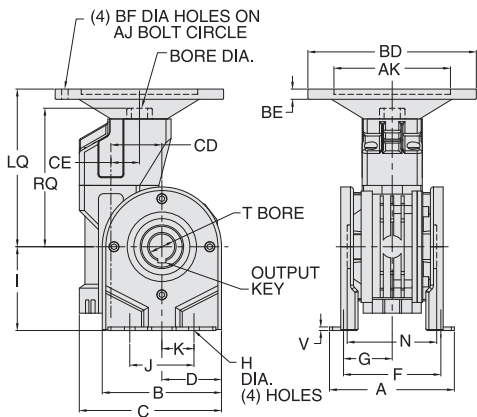
### 534 Series • 1.0 S.F.

Exact Ratio*	Input RPM	Output RPM	Input HP	Output HP	Output Torque (lb-in)
<b>32.3</b>	1750	54.1	3.207	2.309	2690
	1150	35.6	2.221	1.599	2831
<b>46.2</b>	1750	37.9	2.311	1.618	2690
	1150	24.9	1.598	1.118	2831
<b>58.9</b>	1750	29.7	2.247	1.506	3195
	1150	19.5	1.553	1.041	3363
<b>80.6</b>	1750	21.71	1.804	1.101	3195
	1150	14.27	1.248	0.761	3363
<b>103.9</b>	1750	16.85	1.311	0.787	2943
	1150	11.07	0.907	0.544	3098
<b>129.4</b>	1750	13.53	1.053	0.632	2943
	1150	8.89	0.728	0.437	3098
<b>175.6</b>	1750	9.97	0.844	0.532	3363
	1150	6.55	0.584	0.368	3540
<b>240.2</b>	1750	7.28	0.696	0.369	3195
	1150	4.79	0.482	0.256	3363
<b>309.5</b>	1750	5.65	0.551	0.286	3195
	1150	3.72	0.382	0.198	3363
<b>422.1</b>	1750	4.15	0.373	0.194	2943
	1150	2.72	0.257	0.134	3098
<b>443.5</b>	1750	3.95	0.351	0.158	2522
	1150	2.59	0.242	0.109	2653
<b>604.8</b>	1750	2.89	0.289	0.116	2522
	1150	1.90	0.200	0.080	2653

\* Contact Factory for additional ratio options available.

**WHEN ORDERING DOUBLE REDUCTION REDUCERS, SPECIFY COMPLETE MODEL NUMBER AS SHOWN ON PAGE 330.**

## Style DXJHMQ



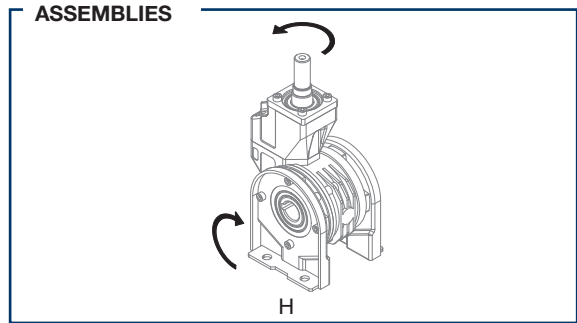
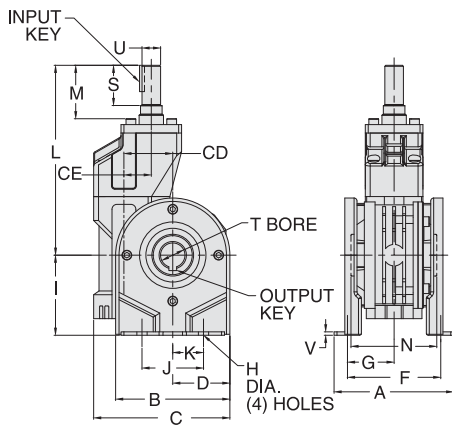
REVERSE ALL ARROWS FOR OPPOSITE INPUT SHAFT ROTATION. CONTACT FACTORY FOR OTHER MOUNTINGS OR ASSEMBLY POSITIONS.

### STYLE DXJHMQ DIMENSIONS - Inches

Series	A	B	C	CD	CE	D	F	G	H	I	J	K	LQ* 56/140	NN	RQ	T* +0.0015 -0.0000	V	OUTPUT KEY*
518	3.94	3.86	4.76	1.77	1.10	1.93	3.17	1.59	0.413	2.83	1.97	0.99	6.23	2.56	5.59	0.750	0.12	3/16 X 1.00
520	4.84	4.45	5.45	1.97	1.10	2.23	3.94	1.97	0.413	3.22	2.48	1.24	6.41	3.19	5.77	1.000	0.14	1/4 X 1.62
525	5.67	5.24	6.69	2.48	1.50	2.76	4.35	2.18	0.413	3.94	3.74	1.87	7.17	4.72	6.49	1.125	0.16	1/4 X 2.00
534	7.17	7.09	9.15	3.35	1.50	3.72	5.71	2.86	0.413	5.59	5.51	2.76	7.84	5.31	7.42	1.500	0.20	3/8 X 2.00

\* Metric options are available. Refer to dimensions on opposite page. Contact Factory for availability of metric options.

## Style DXJH



REVERSE ALL ARROWS FOR OPPOSITE INPUT SHAFT ROTATION. CONTACT FACTORY FOR OTHER MOUNTINGS OR ASSEMBLY POSITIONS.

### STYLE DXJH DIMENSIONS - Inches

Series	A	B	C	CD	CE	D	F	G	H	I	J	K	L	M	NN	S	T +0.0015 -0.0000	U +0.000 -0.001	V	INPUT KEY	OUTPUT KEY
518	3.94	3.86	4.76	1.77	1.10	1.93	3.17	1.59	0.413	2.83	1.97	0.99	6.65	1.65	2.56	1.42	0.750	0.625	0.12	3/16 X 1.12	3/16 X 1.00
520	4.84	4.45	5.45	1.97	1.10	2.23	3.94	1.97	0.413	3.22	2.48	1.24	6.83	1.83	3.19	1.42	1.000	0.625	0.14	3/16 X 1.12	1/4 X 1.62
525	5.67	5.24	6.69	2.48	1.50	2.76	4.35	2.18	0.413	3.94	3.74	1.87	8.54	2.00	4.72	1.65	1.125	0.750	0.16	3/16 X 1.50	1/4 X 2.00
534	7.17	7.09	9.15	3.35	1.50	3.72	5.71	2.86	0.413	5.59	5.51	2.76	9.21	2.65	5.31	1.65	1.500	0.750	0.20	3/16 X 1.50	3/8 X 2.00

BRAVO®  
Single Reduction Reducers

BRAVO® Worm - Worm  
Double Reduction

BRAVO® Helical - Worm  
Double Reduction

BRAVO® Accessory Kits

Quadro - Single Reduction

High Efficiency Helical - In-line