

Bravo™ Maximum Rating Tables

525 & 534 Series • All Stock Styles

BRAVO®
Single Reduction Reducers

BRAVO® Worm - Worm
Double Reduction

BRAVO® Helical - Worm
Double Reduction

BRAVO® Accessory Kits

Quadro - Single Reduction

High Efficiency Helical - Inline



525 Series • 1.0 S.F.

Exact Ratio*	Input RPM	Output RPM	Input HP	Output HP	Output Torque (lb-in)
29.5	1750	59.4	1.767	1.307	1387
	1150	39.0	1.221	0.903	1460
37.2	1750	47.0	1.417	1.034	1387
	1150	30.9	0.981	0.716	1460
46.5	1750	37.6	1.340	0.938	1572
	1150	24.7	0.927	0.649	1655
55.8	1750	31.4	1.224	0.783	1572
	1150	20.6	0.845	0.541	1655
69.8	1750	25.09	1.026	0.626	1572
	1150	16.49	0.710	0.433	1655
87.8	1750	19.94	0.731	0.526	1664
	1150	13.10	0.506	0.364	1752
110.9	1750	15.78	0.595	0.417	1664
	1150	10.37	0.412	0.288	1752
138.6	1750	12.63	0.505	0.333	1664
	1150	8.30	0.350	0.231	1752
166.3	1750	10.52	0.463	0.278	1664
	1150	6.91	0.320	0.192	1752
207.9	1750	8.42	0.359	0.198	1480
	1150	5.53	0.249	0.137	1558
309.5	1750	5.65	0.260	0.133	1480
	1150	3.72	0.180	0.092	1558
369.6	1750	4.73	0.236	0.111	1480
	1150	3.11	0.164	0.077	1558
434.3	1750	4.03	0.166	0.070	1093
	1150	2.65	0.115	0.048	1151

* Contact Factory for additional ratio options available.

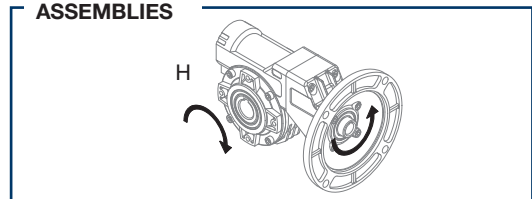
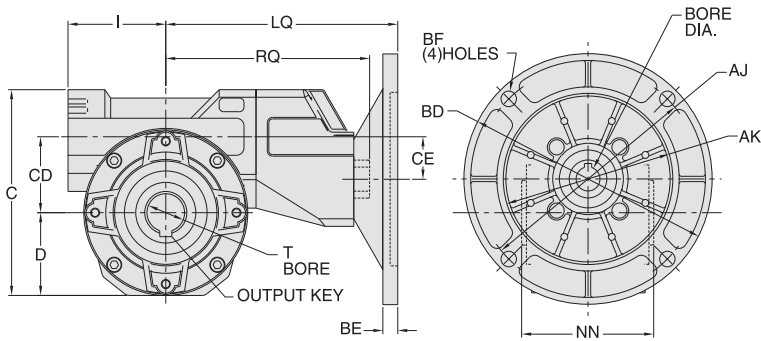
534 Series • 1.0 S.F.

Exact Ratio*	Input RPM	Output RPM	Input HP	Output HP	Output Torque (lb-in)
32.3	1750	54.1	3.207	2.309	2690
	1150	35.6	2.221	1.599	2831
46.2	1750	37.9	2.311	1.618	2690
	1150	24.9	1.598	1.118	2831
58.9	1750	29.7	2.247	1.506	3195
	1150	19.5	1.553	1.041	3363
80.6	1750	21.71	1.804	1.101	3195
	1150	14.27	1.248	0.761	3363
103.9	1750	16.85	1.311	0.787	2943
	1150	11.07	0.907	0.544	3098
129.4	1750	13.53	1.053	0.632	2943
	1150	8.89	0.728	0.437	3098
175.6	1750	9.97	0.844	0.532	3363
	1150	6.55	0.584	0.368	3540
240.2	1750	7.28	0.696	0.369	3195
	1150	4.79	0.482	0.256	3363
309.5	1750	5.65	0.551	0.286	3195
	1150	3.72	0.382	0.198	3363
422.1	1750	4.15	0.373	0.194	2943
	1150	2.72	0.257	0.134	3098
443.5	1750	3.95	0.351	0.158	2522
	1150	2.59	0.242	0.109	2653
604.8	1750	2.89	0.289	0.116	2522
	1150	1.90	0.200	0.080	2653

* Contact Factory for additional ratio options available.

WHEN ORDERING DOUBLE REDUCTION REDUCERS, SPECIFY COMPLETE MODEL NUMBER AS SHOWN ON PAGE 330.

Style DXHMQ



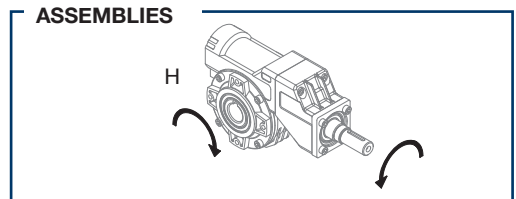
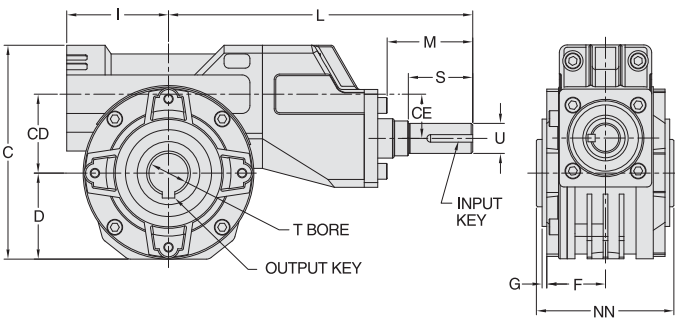
REVERSE ALL ARROWS FOR OPPOSITE INPUT SHAFT ROTATION. CONTACT FACTORY FOR OTHER MOUNTINGS OR ASSEMBLY POSITIONS.

STYLE DXHMQ DIMENSIONS - Inches

Series	C	CD	CE	D	F [^]	G [^]	I	LQ* 56/140	NN	RQ	T* +0.0015 -0.0000	OUTPUT KEY*
518	4.76	1.77	1.10	1.93	1.38	0.08	2.16	6.23	2.56	5.59	0.750	3/16 X 1.00
520	5.33	1.97	1.10	2.15	1.50	0.12	2.56	6.41	3.19	5.77	1.000	1/4 X 1.62
525	6.69	2.48	1.50	2.76	1.77	0.19	3.11	7.17	4.72	6.49	1.125	1/4 X 2.00
534	9.15	3.35	1.50	3.72	2.52	0.14	3.86	7.84	5.31	7.42	1.500	3/8 X 2.00

* Metric options are available. Refer to dimensions on opposite page.
Contact Factory for availability of metric options.
[^] Refer to Style DXH for reference to this dimension.

Style DXH



REVERSE ALL ARROWS FOR OPPOSITE INPUT SHAFT ROTATION. CONTACT FACTORY FOR OTHER MOUNTINGS OR ASSEMBLY POSITIONS.

STYLE DXH DIMENSIONS - Inches

Series	C	CD	CE	D	F	G	I	L	M	NN	S	T +0.0015 -0.0000	U +0.000 -0.001	INPUT KEY	OUTPUT KEY
518	4.76	1.77	1.10	1.93	1.38	0.08	2.16	6.65	1.65	2.56	1.42	0.750	0.625	3/16 X 1.12	3/16 X 1.00
520	5.33	1.97	1.10	2.15	1.50	0.12	2.56	6.83	1.83	3.19	1.42	1.000	0.625	3/16 X 1.12	1/4 X 1.62
525	6.69	2.48	1.50	2.76	1.77	0.19	3.11	8.54	2.00	4.72	1.65	1.125	0.750	3/16 X 1.50	1/4 X 2.00
534	9.15	3.35	1.50	3.72	2.52	0.14	3.86	9.21	2.65	5.31	1.65	1.500	0.750	3/16 X 1.50	3/8 X 2.00

BRAVO® Single Reduction Reducers

BRAVO® Worm - Worm Double Reduction

BRAVO® Helical - Worm Double Reduction

BRAVO® Accessory Kits

Quadro - Single Reduction

High Efficiency Helical - In-line