

Maximum Rating Tables

518 & 520 Series • All Stock Styles



518 Series • 1.0 S.F.

| Ratio | Input RPM | Output RPM | Input HP | Output HP | Output Torque (lb-in) |
|-------------|-----------|------------|----------|-----------|-----------------------|
| 70 | 1750 | 25.00 | 0.332 | 0.182 | 460 |
| | 1150 | 16.43 | 0.230 | 0.126 | 485 |
| 98 | 1750 | 17.86 | 0.246 | 0.130 | 460 |
| | 1150 | 11.73 | 0.170 | 0.090 | 485 |
| 147 | 1750 | 11.90 | 0.190 | 0.095 | 504 |
| | 1150 | 7.82 | 0.132 | 0.066 | 531 |
| 210 | 1750 | 8.33 | 0.139 | 0.067 | 504 |
| | 1150 | 5.48 | 0.096 | 0.046 | 531 |
| 294 | 1750 | 5.95 | 0.106 | 0.048 | 504 |
| | 1150 | 3.91 | 0.073 | 0.033 | 531 |
| 441 | 1750 | 3.97 | 0.088 | 0.032 | 504 |
| | 1150 | 2.61 | 0.061 | 0.022 | 531 |
| 588 | 1750 | 2.98 | 0.072 | 0.024 | 504 |
| | 1150 | 1.96 | 0.050 | 0.017 | 531 |
| 777 | 1750 | 2.25 | 0.060 | 0.018 | 504 |
| | 1150 | 1.48 | 0.042 | 0.012 | 531 |
| 966 | 1750 | 1.81 | 0.054 | 0.014 | 504 |
| | 1150 | 1.19 | 0.037 | 0.010 | 531 |
| 1288 | 1750 | 1.36 | 0.045 | 0.011 | 504 |
| | 1150 | 0.893 | 0.031 | 0.008 | 531 |
| 1702 | 1750 | 1.03 | 0.037 | 0.008 | 504 |
| | 1150 | 0.676 | 0.026 | 0.006 | 531 |
| 2220 | 1750 | 0.788 | 0.030 | 0.006 | 504 |
| | 1150 | 0.518 | 0.021 | 0.004 | 531 |
| 3600 | 1750 | 0.486 | 0.018 | 0.004 | 460 |
| | 1150 | 0.319 | 0.012 | 0.002 | 485 |

520 Series • 1.0 S.F.

| Ratio | Input RPM | Output RPM | Input HP | Output HP | Output Torque (lb-in) |
|-------------|-----------|------------|----------|-----------|-----------------------|
| 70 | 1750 | 25.00 | 0.573 | 0.309 | 780 |
| | 1150 | 16.43 | 0.396 | 0.214 | 821 |
| 98 | 1750 | 17.86 | 0.425 | 0.221 | 780 |
| | 1150 | 11.73 | 0.294 | 0.153 | 821 |
| 140 | 1750 | 12.50 | 0.305 | 0.158 | 799 |
| | 1150 | 8.21 | 0.211 | 0.110 | 841 |
| 182 | 1750 | 9.62 | 0.259 | 0.122 | 799 |
| | 1150 | 6.32 | 0.179 | 0.084 | 841 |
| 260 | 1750 | 6.73 | 0.198 | 0.085 | 799 |
| | 1150 | 4.42 | 0.137 | 0.059 | 841 |
| 364 | 1750 | 4.81 | 0.145 | 0.061 | 799 |
| | 1150 | 3.16 | 0.100 | 0.042 | 841 |
| 546 | 1750 | 3.21 | 0.107 | 0.041 | 799 |
| | 1150 | 2.11 | 0.074 | 0.028 | 841 |
| 676 | 1750 | 2.59 | 0.091 | 0.033 | 799 |
| | 1150 | 1.70 | 0.063 | 0.023 | 841 |
| 962 | 1750 | 1.82 | 0.072 | 0.023 | 799 |
| | 1150 | 1.20 | 0.050 | 0.016 | 841 |
| 1260 | 1750 | 1.39 | 0.065 | 0.018 | 799 |
| | 1150 | 0.913 | 0.045 | 0.012 | 841 |
| 1591 | 1750 | 1.10 | 0.056 | 0.014 | 799 |
| | 1150 | 0.723 | 0.039 | 0.010 | 841 |
| 2220 | 1750 | 0.788 | 0.045 | 0.009 | 757 |
| | 1150 | 0.518 | 0.031 | 0.007 | 797 |
| 3600 | 1750 | 0.486 | 0.028 | 0.006 | 757 |
| | 1150 | 0.319 | 0.019 | 0.004 | 797 |

WHEN ORDERING DOUBLE REDUCTION REDUCERS, SPECIFY COMPLETE MODEL NUMBER AS SHOWN ON PAGE 312.

BRAVO®
Single Reduction Reducers

BRAVO® Worm - Worm
Double Reduction

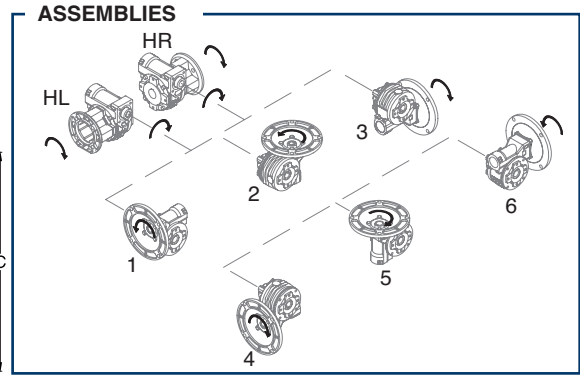
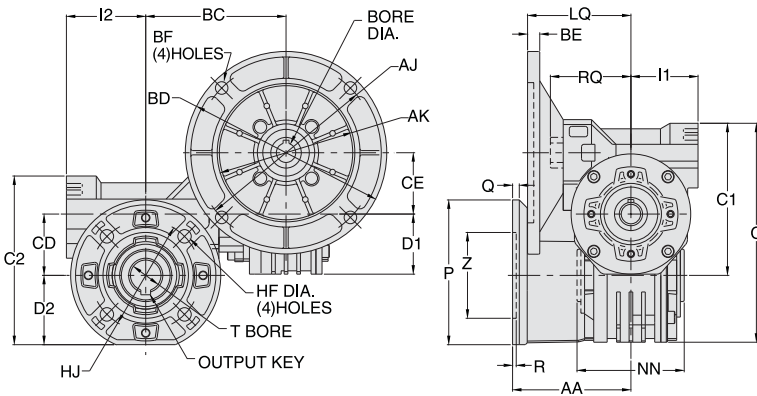
BRAVO® Helical - Worm
Double Reduction

BRAVO® Accessory Kits

Quadro - Single Reduction

High Efficiency Helical - Inline

Style DFHMQ



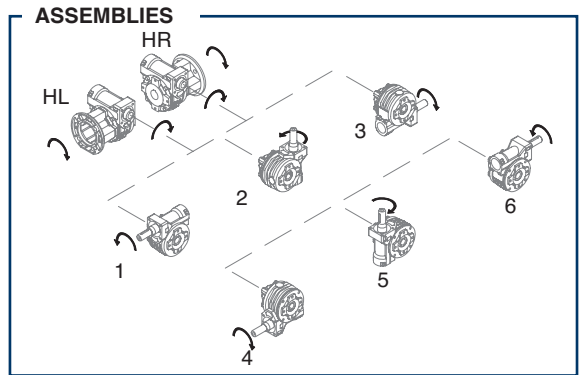
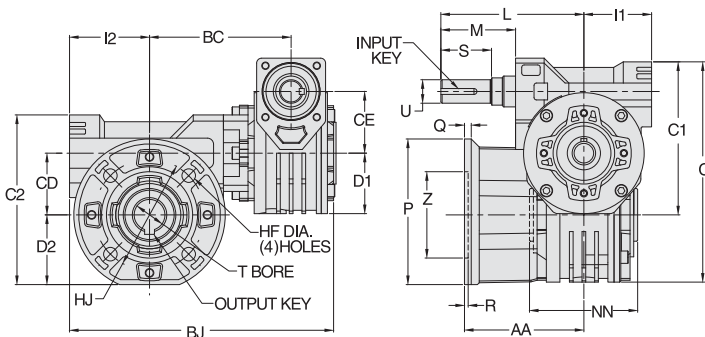
REVERSE ALL ARROWS FOR OPPOSITE INPUT SHAFT ROTATION. CONTACT FACTORY FOR OTHER MOUNTINGS OR ASSEMBLY POSITIONS.

STYLE DFHMQ DIMENSIONS - Inches

| Series | AA | BC | C | C1 | C2 | CD | CE | D1 | D2 | HF | HJ | I1 | I2 | LQ* 56C | MN | P | Q | R | RQ | T* +0.0015 -0.0000 | Z | OUTPUT KEY* |
|--------|------|------|-------|------|------|------|------|------|------|-------|------|------|------|------------|------|------|------|-------|------|--------------------------|-------|----------------|
| 518 | 2.38 | 4.35 | 6.42 | 4.76 | 4.76 | 1.77 | 1.77 | 1.93 | 1.93 | 0.335 | 3.43 | 2.16 | 2.16 | 3.33 | 2.56 | 4.33 | 0.35 | 0.354 | 2.60 | 0.750 | 2.362 | 3/16 X 1.00 |
| 520 | 3.35 | 4.53 | 7.30 | 4.76 | 5.33 | 1.97 | 1.77 | 1.93 | 2.15 | 0.413 | 3.54 | 2.16 | 2.56 | 3.33 | 3.19 | 4.84 | 0.47 | 0.354 | 2.60 | 1.000 | 2.756 | 1/4 X 1.62 |
| 525 | 3.39 | 5.75 | 9.17 | 4.76 | 6.69 | 2.48 | 1.77 | 1.93 | 2.76 | 0.413 | 5.91 | 2.16 | 3.11 | 3.33 | 4.72 | 6.89 | 0.51 | 0.276 | 2.60 | 1.125 | 4.528 | 1/4 X 2.00 |
| 534 | 4.25 | 6.76 | 12.00 | 4.76 | 9.15 | 3.35 | 1.77 | 1.93 | 3.72 | 0.512 | 6.93 | 2.16 | 3.86 | 3.33 | 5.31 | 8.07 | 0.63 | 0.197 | 2.60 | 1.500 | 5.984 | 3/8 X 2.00 |

* Metric options are available. Refer to dimensions on opposite page. Contact Factory for availability of metric options.

Style DFH



REVERSE ALL ARROWS FOR OPPOSITE INPUT SHAFT ROTATION. CONTACT FACTORY FOR OTHER MOUNTINGS OR ASSEMBLY POSITIONS.

STYLE DFH DIMENSIONS - Inches

| Series | AA | BC | BJ | C | C1 | C2 | CD | CE | D1 | D2 | HF | HJ | I1 | I2 | L | M | NN | P | Q | R | S | T +0.0015 -0.0000 | U +0.000 -0.001 | Z | INPUT KEY | OUTPUT KEY |
|--------|------|------|-------|-------|------|------|------|------|------|------|-------|------|------|------|------|------|------|------|------|-------|------|-------------------------|-----------------------|-------|--------------|---------------|
| 518 | 2.38 | 4.35 | 7.90 | 6.42 | 4.76 | 4.76 | 1.77 | 1.77 | 1.93 | 1.93 | 0.335 | 3.43 | 2.16 | 2.16 | 3.86 | 1.67 | 2.56 | 4.33 | 0.35 | 0.354 | 1.18 | 0.750 | 0.625 | 2.362 | 3/16 X 1.00 | 3/16 X 1.00 |
| 520 | 3.35 | 4.53 | 8.47 | 7.30 | 4.76 | 5.33 | 1.97 | 1.77 | 1.93 | 2.15 | 0.413 | 3.54 | 2.16 | 2.56 | 3.86 | 1.67 | 3.19 | 4.84 | 0.47 | 0.354 | 1.18 | 1.000 | 0.625 | 2.756 | 3/16 X 1.00 | 1/4 X 1.62 |
| 525 | 3.39 | 5.75 | 10.24 | 9.17 | 4.76 | 6.69 | 2.48 | 1.77 | 1.93 | 2.76 | 0.413 | 5.91 | 2.16 | 3.11 | 3.86 | 1.67 | 4.72 | 6.89 | 0.51 | 0.276 | 1.18 | 1.125 | 0.625 | 4.528 | 3/16 X 1.00 | 1/4 X 2.00 |
| 534 | 4.25 | 6.76 | 12.01 | 12.00 | 4.76 | 9.15 | 3.35 | 1.77 | 1.93 | 3.72 | 0.512 | 6.93 | 2.16 | 3.86 | 3.86 | 1.67 | 5.31 | 8.07 | 0.63 | 0.197 | 1.18 | 1.500 | 0.625 | 5.984 | 3/16 X 1.00 | 3/8 X 2.00 |