

# Maximum Rating Tables

## 518 & 520 Series • All Stock Styles



### 518 Series • 1.0 S.F.

Ratio	Input RPM	Output RPM	Input HP	Output HP	Output Torque (lb-in)
<b>70</b>	1750	25.00	0.332	0.182	460
	1150	16.43	0.230	0.126	485
<b>98</b>	1750	17.86	0.246	0.130	460
	1150	11.73	0.170	0.090	485
<b>147</b>	1750	11.90	0.190	0.095	504
	1150	7.82	0.132	0.066	531
<b>210</b>	1750	8.33	0.139	0.067	504
	1150	5.48	0.096	0.046	531
<b>294</b>	1750	5.95	0.106	0.048	504
	1150	3.91	0.073	0.033	531
<b>441</b>	1750	3.97	0.088	0.032	504
	1150	2.61	0.061	0.022	531
<b>588</b>	1750	2.98	0.072	0.024	504
	1150	1.96	0.050	0.017	531
<b>777</b>	1750	2.25	0.060	0.018	504
	1150	1.48	0.042	0.012	531
<b>966</b>	1750	1.81	0.054	0.014	504
	1150	1.19	0.037	0.010	531
<b>1288</b>	1750	1.36	0.045	0.011	504
	1150	0.893	0.031	0.008	531
<b>1702</b>	1750	1.03	0.037	0.008	504
	1150	0.676	0.026	0.006	531
<b>2220</b>	1750	0.788	0.030	0.006	504
	1150	0.518	0.021	0.004	531
<b>3600</b>	1750	0.486	0.018	0.004	460
	1150	0.319	0.012	0.002	485

### 520 Series • 1.0 S.F.

Ratio	Input RPM	Output RPM	Input HP	Output HP	Output Torque (lb-in)
<b>70</b>	1750	25.00	0.573	0.309	780
	1150	16.43	0.396	0.214	821
<b>98</b>	1750	17.86	0.425	0.221	780
	1150	11.73	0.294	0.153	821
<b>140</b>	1750	12.50	0.305	0.158	799
	1150	8.21	0.211	0.110	841
<b>182</b>	1750	9.62	0.259	0.122	799
	1150	6.32	0.179	0.084	841
<b>260</b>	1750	6.73	0.198	0.085	799
	1150	4.42	0.137	0.059	841
<b>364</b>	1750	4.81	0.145	0.061	799
	1150	3.16	0.100	0.042	841
<b>546</b>	1750	3.21	0.107	0.041	799
	1150	2.11	0.074	0.028	841
<b>676</b>	1750	2.59	0.091	0.033	799
	1150	1.70	0.063	0.023	841
<b>962</b>	1750	1.82	0.072	0.023	799
	1150	1.20	0.050	0.016	841
<b>1260</b>	1750	1.39	0.065	0.018	799
	1150	0.913	0.045	0.012	841
<b>1591</b>	1750	1.10	0.056	0.014	799
	1150	0.723	0.039	0.010	841
<b>2220</b>	1750	0.788	0.045	0.009	757
	1150	0.518	0.031	0.007	797
<b>3600</b>	1750	0.486	0.028	0.006	757
	1150	0.319	0.019	0.004	797

**WHEN ORDERING DOUBLE REDUCTION REDUCERS, SPECIFY COMPLETE MODEL NUMBER AS SHOWN ON PAGE 312.**

BRAVO®  
Single Reduction Reducers

BRAVO® Worm - Worm  
Double Reduction

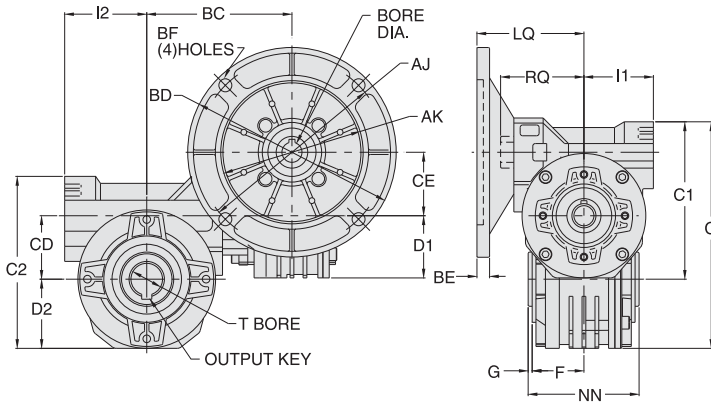
BRAVO® Helical - Worm  
Double Reduction

BRAVO® Accessory Kits

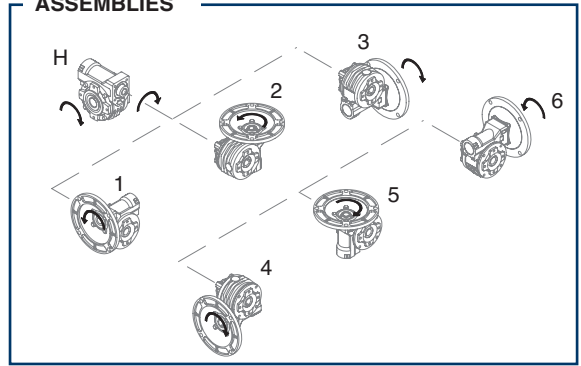
Quadro - Single Reduction

High Efficiency Helical - Inline

## Style DHMQ



### ASSEMBLIES



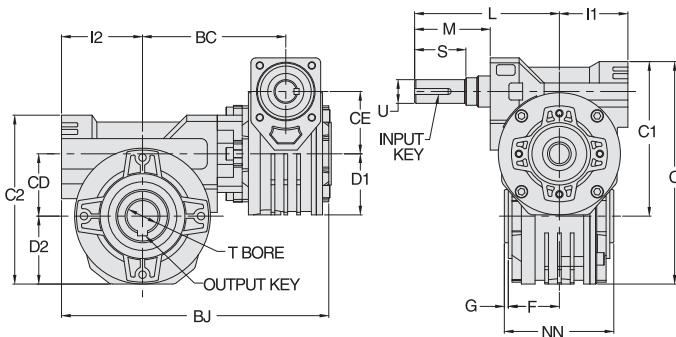
REVERSE ALL ARROWS FOR OPPOSITE INPUT SHAFT ROTATION. CONTACT FACTORY FOR OTHER MOUNTINGS OR ASSEMBLY POSITIONS.

### STYLE DHMQ DIMENSIONS - Inches

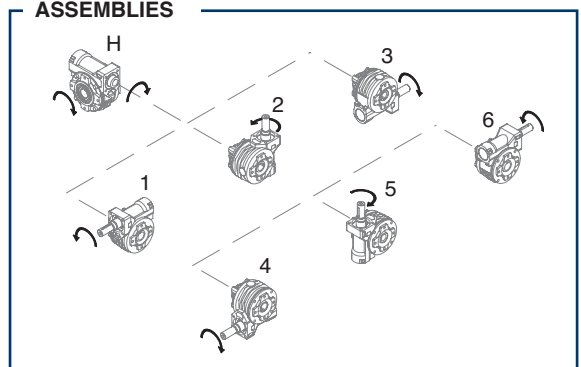
Series	BC	C	C1	C2	CD	CE	D1	D2	F	G	I1	I2	LQ* 56C	NN	RQ	T* +0.0015 -0.0000	OUTPUT KEY*
518	4.35	6.42	4.76	4.76	1.77	1.77	1.93	1.93	1.38	0.08	2.16	2.16	3.33	2.56	2.60	0.750	3/16 X 1.00
520	4.53	7.30	4.76	5.33	1.97	1.77	1.93	2.15	1.50	0.12	2.16	2.56	3.33	3.19	2.60	1.000	1/4 X 1.62
525	5.75	9.17	4.76	6.69	2.48	1.77	1.93	2.76	1.77	0.19	2.16	3.11	3.33	4.72	2.60	1.125	1/4 X 2.00
534	6.76	12.00	4.76	9.15	3.35	1.77	1.93	3.72	2.52	0.14	2.16	3.86	3.33	5.31	2.60	1.500	3/8 X 2.00

\* Metric options are available. Refer to dimensions on opposite page. Contact Factory for availability of metric options.

## Style DH



### ASSEMBLIES



REVERSE ALL ARROWS FOR OPPOSITE INPUT SHAFT ROTATION. CONTACT FACTORY FOR OTHER MOUNTINGS OR ASSEMBLY POSITIONS.

### STYLE DH DIMENSIONS - Inches

Series	BC	BJ	C	C1	C2	CD	CE	D1	D2	F	G	I1	I2	L	M	NN	S	T +0.0015 -0.0000	U +0.000 -0.001	INPUT KEY	OUTPUT KEY
518	4.35	7.90	6.42	4.76	4.76	1.77	1.77	1.93	1.93	1.38	0.08	2.16	2.16	3.86	1.67	2.56	1.18	0.750	0.625	3/16 X 1.00	3/16 X 1.00
520	4.53	8.47	7.30	4.76	5.33	1.97	1.77	1.93	2.15	1.50	0.12	2.16	2.56	3.86	1.67	3.19	1.18	1.000	0.625	3/16 X 1.00	1/4 X 1.62
525	5.75	10.24	9.17	4.76	6.69	2.48	1.77	1.93	2.76	1.77	0.19	2.16	3.11	3.86	1.67	4.72	1.18	1.125	0.625	3/16 X 1.00	1/4 X 2.00
534	6.76	12.01	12.00	4.76	9.15	3.35	1.77	1.93	3.72	2.52	0.14	2.16	3.86	3.86	1.67	5.31	1.18	1.500	0.625	3/16 X 1.00	3/8 X 2.00