

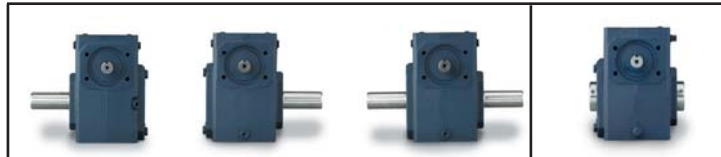
Maximum Rating Tables

Size 815 • GR, NH Series



Style B

Style H



Size 815

Ratio	Input RPM	Output RPM	Input HP	Output HP	Output Torque (lb-in)	Left Hand Catalog No.	Right Hand Catalog No.	Double Extension Catalog No.	Hollow Output Catalog No.*
5	2500	500	2.310	2.151	271	_8150001	_8150013	_8150025	_8150501.10
	1750	350	1.939	1.794	323				
	1170	234	1.537	1.408	379				
7.5	100	20	0.235	0.167	526	_8150002	_8150014	_8150026	_8150502.10
	2500	333	1.785	1.619	306				
	1170	156	1.205	1.068	431				
10	100	13	0.196	0.125	591	_8150003	_8150015	_8150027	_8150503.10
	2500	250	1.500	1.324	334				
	1170	117	1.014	0.869	468				
15	100	10	0.176	0.101	639	_8150004	_8150016	_8150028	_8150504.10
	2500	166	1.174	0.982	371				
	1170	116	1.003	0.826	446				
20	100	6.7	0.155	0.075	706	_8150005	_8150017	_8150029	_8150505.10
	2500	125	1.077	0.860	434				
	1170	87	0.919	0.719	518				
25	100	5.0	0.155	0.064	807	_8150006	_8150018	_8150030	_8150506.10
	2500	100	0.881	0.670	422				
	1170	70	0.752	0.559	503				
30	100	4.0	0.137	0.049	775	_8150007	_8150019	_8150031	_8150507.10
	2500	83	0.729	0.526	398				
	1170	46	0.602	0.431	580				
40	100	3.3	0.124	0.040	754	_8150008	_8150020	_8150032	_8150508.10
	2500	62	0.649	0.432	435				
	1170	29	0.456	0.279	601				
50	100	2.5	0.122	0.032	808	_8150009	_8150021	_8150033	_8150509.10
	2500	50	0.536	0.329	415				
	1170	35	0.464	0.274	494				
60	100	2.0	0.110	0.024	760	_8150010	_8150022	_8150034	_8150510.10
	2500	41	0.451	0.257	389				
	1170	29	0.391	0.214	462				
80	100	1.7	0.099	0.019	707	_8150011	_8150023	_8150035	_8150511.10
	2500	31	0.219	0.109	220				
	1170	21	0.204	0.093	269				
100	100	1.3	0.032	0.008	418	_8150012	_8150024	_8150036	_8150512.10
	2500	25	0.155	0.069	175				
	1170	17	0.145	0.059	213				
	100	1.0	0.024	0.005	328				

How To Build a Part Number For Size GR815 & NH815

1. Select partial catalog number from the selection table
2. Replace leading “_” with series code (GR, NH)

Example:

Grove Gear IRONMAN, style B, 5:1 ratio, left hand output
 GR-B815-5-L
 GR8150001

Single Reduction
Worm Gear Reducers









Double Reduction
Worm - Worm Gear Reducers

Double Reduction
Helical - Worm Gear Reducers

WASHGUARD® Reducers
and GEAR+MOTOR™

Ratio Multipliers

Accessories and
Additional Capabilities

	Style BM			Style HM	Style BMQ			Style HMQ	
									
NEMA C Input Flange ▲	Left Hand Catalog No.	Right Hand Catalog No.	Double Extension Catalog No.	Hollow Output Catalog No.	Left Hand Catalog No.	Right Hand Catalog No.	Double Extension Catalog No.	Hollow Output Catalog No.	Ratio
56C 143-5TC	<u>8150073</u> <u>8150109</u>	<u>8150085</u> <u>8150121</u>	<u>8150097</u> <u>8150133</u>	<u>8150525.10</u> <u>8150537.10</u>	<u>8150181</u> <u>8150217</u>	<u>8150193</u> <u>8150229</u>	<u>8150205</u> <u>8150241</u>	<u>8150561.10</u> <u>8150573.10</u>	5
56C 143-5TC	<u>8150074</u> <u>8150110</u>	<u>8150086</u> <u>8150122</u>	<u>8150098</u> <u>8150134</u>	<u>8150526.10</u> <u>8150538.10</u>	<u>8150182</u> <u>8150218</u>	<u>8150194</u> <u>8150230</u>	<u>8150206</u> <u>8150242</u>	<u>8150562.10</u> <u>8150574.10</u>	7.5
56C 143-5TC	<u>8150075</u> <u>8150111</u>	<u>8150087</u> <u>8150123</u>	<u>8150099</u> <u>8150135</u>	<u>8150527.10</u> <u>8150539.10</u>	<u>8150183</u> <u>8150219</u>	<u>8150195</u> <u>8150231</u>	<u>8150207</u> <u>8150243</u>	<u>8150563.10</u> <u>8150575.10</u>	10
56C 143-5TC	<u>8150076</u> <u>8150112</u>	<u>8150088</u> <u>8150124</u>	<u>8150100</u> <u>8150136</u>	<u>8150528.10</u> <u>8150540.10</u>	<u>8150184</u> <u>8150220</u>	<u>8150196</u> <u>8150232</u>	<u>8150208</u> <u>8150244</u>	<u>8150564.10</u> <u>8150576.10</u>	15
56C 143-5TC	<u>8150077</u> <u>8150113</u>	<u>8150089</u> <u>8150125</u>	<u>8150101</u> <u>8150137</u>	<u>8150529.10</u> <u>8150541.10</u>	<u>8150185</u> <u>8150221</u>	<u>8150197</u> <u>8150233</u>	<u>8150209</u> <u>8150245</u>	<u>8150565.10</u> <u>8150577.10</u>	20
56C	<u>8150078</u>	<u>8150090</u>	<u>8150102</u>	<u>8150530.10</u>	<u>8150186</u>	<u>8150198</u>	<u>8150210</u>	<u>8150566.10</u>	25
48CZ 56C	<u>8150043</u> <u>8150079</u>	<u>8150055</u> <u>8150091</u>	<u>8150067</u> <u>8150103</u>	<u>8150519.10</u> <u>8150531.10</u>	<u>8150151</u> <u>8150187</u>	<u>8150163</u> <u>8150199</u>	<u>8150175</u> <u>8150211</u>	<u>8150555.10</u> <u>8150567.10</u>	30
48CZ 56C	<u>8150044</u> <u>8150080</u>	<u>8150056</u> <u>8150092</u>	<u>8150068</u> <u>8150104</u>	<u>8150520.10</u> <u>8150532.10</u>	<u>8150152</u> <u>8150188</u>	<u>8150164</u> <u>8150200</u>	<u>8150176</u> <u>8150212</u>	<u>8150556.10</u> <u>8150568.10</u>	40
48CZ 56C	<u>8150045</u> <u>8150081</u>	<u>8150057</u> <u>8150093</u>	<u>8150069</u> <u>8150105</u>	<u>8150521.10</u> <u>8150533.10</u>	<u>8150153</u> <u>8150189</u>	<u>8150165</u> <u>8150201</u>	<u>8150177</u> <u>8150213</u>	<u>8150557.10</u> <u>8150569.10</u>	50
48CZ 56C	<u>8150046</u> <u>8150082</u>	<u>8150058</u> <u>8150094</u>	<u>8150070</u> <u>8150106</u>	<u>8150522.10</u> <u>8150534.10</u>	<u>8150154</u> <u>8150190</u>	<u>8150166</u> <u>8150202</u>	<u>8150178</u> <u>8150214</u>	<u>8150558.10</u> <u>8150570.10</u>	60
48CZ 56C	<u>8150047</u> <u>8150083</u>	<u>8150059</u> <u>8150095</u>	<u>8150071</u> <u>8150107</u>	<u>8150523.10</u> <u>8150535.10</u>	<u>8150155</u> <u>8150191</u>	<u>8150167</u> <u>8150203</u>	<u>8150179</u> <u>8150215</u>	<u>8150559.10</u> <u>8150571.10</u>	80
48CZ 56C	<u>8150048</u> <u>8150084</u>	<u>8150060</u> <u>8150096</u>	<u>8150072</u> <u>8150108</u>	<u>8150524.10</u> <u>8150536.10</u>	<u>8150156</u> <u>8150192</u>	<u>8150168</u> <u>8150204</u>	<u>8150180</u> <u>8150216</u>	<u>8150560.10</u> <u>8150572.10</u>	100

For input/ output shaft overhung load and thrust load ratings, refer to pages 419-422.

▲ Consult Factory for other motor flanges available.



NH Series Dimensions

Styles: BMQ, BM, B

CAST IRON
NH SERIES

Single Reduction
Worm Gear Reducers

Double Reduction
Worm - Worm Gear Reducers

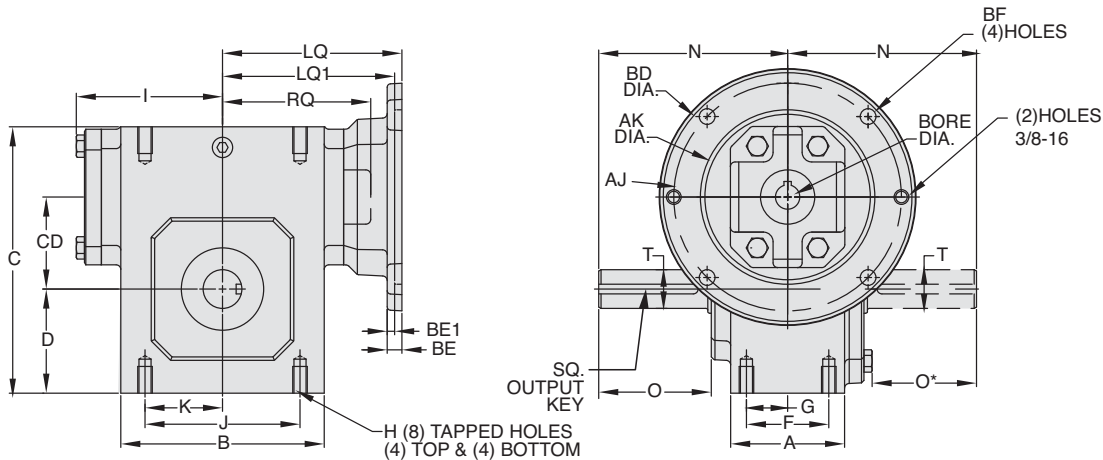
Double Reduction
Helical - Worm Gear Reducers

WASHGUARD® Reducers
and GEAR+MOTOR™

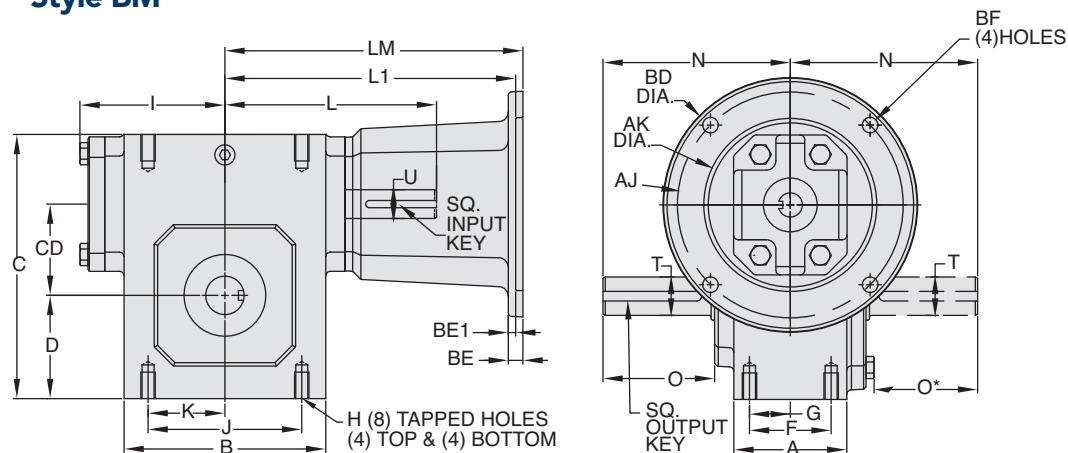
Ratio Multipliers

Accessories and
Additional Capabilities

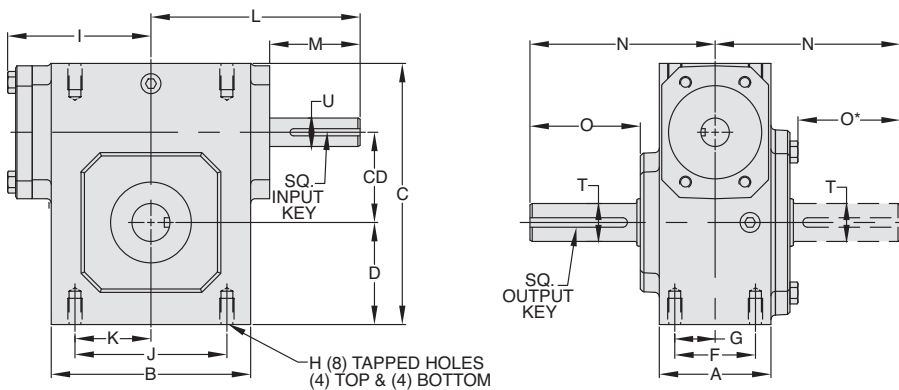
Style BMQ



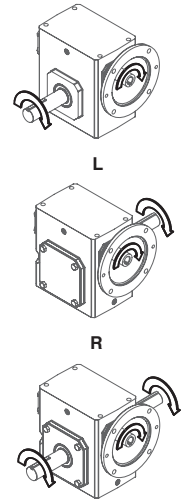
Style BM



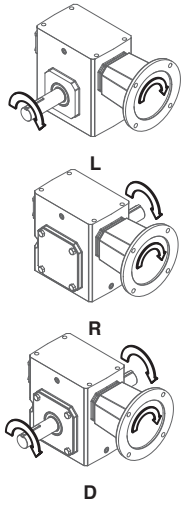
Style B



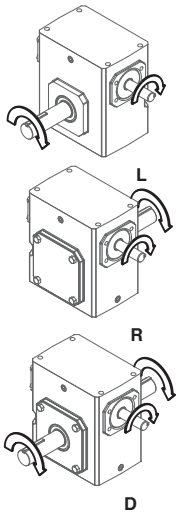
ASSEMBLIES



ASSEMBLIES



ASSEMBLIES



REVERSE ALL ARROWS FOR OPPOSITE INPUT SHAFT ROTATION. CONTACT FACTORY FOR OTHER MOUNTINGS OR ASSEMBLY POSITIONS.

REVERSE ALL ARROWS FOR OPPOSITE INPUT SHAFT ROTATION. CONTACT FACTORY FOR OTHER MOUNTINGS OR ASSEMBLY POSITIONS.



NH Series Dimensions

Styles: BMQ, BM, B



Single Reduction
Worm Gear Reducers

Double Reduction
Worm - Worm Gear Reducers

Double Reduction
Helical - Worm Gear Reducers

WASHQUARD® Reducers
and GEAR+MOTOR™

Ratio Multipliers

Accessories and
Additional Capabilities

STYLE BMQ, BM, B DIMENSIONS (Inches)

Size	A	B	C	CD	D	F	G	H		I	J	K	L	M	N	O	O*	T +0.000 -0.0015	U +0.000 -0.0015	Input Key**	Output Key
								Tap Size	Depth												
NH813	2.82	3.80	4.66	1.33	1.72	2.00	1.00	5/16-18 UNC	.50	2.61	3.25	1.63	3.82	1.76	4.00	2.16	1.94	0.750	0.500	1/8 X 1.00	3/16 X 1.50
NH815	2.57	4.06	5.00	1.54	1.88	1.88	0.94	5/16-18 UNC	.63	3.14	3.25	1.63	4.35	1.76	4.25	2.56	2.35	0.750	0.625	3/16 X 1.38	3/16 X 1.50
NH818	2.56	4.50	5.44	1.75	2.06	1.88	0.94	5/16-18 UNC	.63	3.24	3.75	1.88	4.45	1.76	4.75	2.94	2.73	1.000	0.625	3/16 X 1.38	1/4 X 1.75
NH821	2.50	4.50	6.00	2.06	2.31	1.88	0.94	5/16-18 UNC	.63	3.61	3.25	1.63	4.82	1.76	4.34	2.66	2.45	0.875	0.625	3/16 X 1.38	3/16 X 1.50
NH824	2.94	5.25	6.88	2.38	2.69	2.13	1.06	3/8-16 UNC	.69	3.77	4.00	2.00	5.51	2.38	4.88	2.91	2.69	1.000	0.750	3/16 X 1.63	1/4 X 1.75
NH826	2.88	5.75	7.38	2.63	2.94	2.13	1.06	3/8-16 UNC	.69	4.34	4.00	2.00	6.07	2.38	5.25	3.28	3.07	1.125	0.750	3/16 X 1.63	1/4 X 1.75
NH830	3.12	6.62	8.25	3.00	3.38	2.38	1.19	3/8-16 UNC	.75	4.84	4.63	2.31	6.57	2.38	5.77	3.56	3.31	1.250	0.875	3/16 X 1.63	1/4 X 1.75
NH832	4.44	8.00	10.06	3.25	4.19	3.50	1.75	1/2-13 UNC	1.00	5.02	7.00	3.50	6.76	2.38	7.03	4.24	3.99	1.500	0.875	3/16 X 1.63	3/8 X 2.25
NH842	4.75	9.75	11.50	4.25	4.50	3.75	1.88	1/2-13 UNC	1.00	6.10	7.50	3.75	9.57	3.47	7.50	3.88	3.59	1.750	1.250	1/4 X 2.50	3/8 X 2.25
NH852	6.19	11.00	12.69	5.25	4.88	4.50	2.25	5/8-11 UNC	1.25	7.50	9.00	4.50	10.88	3.38	9.00	4.72	4.47	2.000	1.250	1/4 X 3.00	1/2 X 2.50

Motor Mounting Dimensions

NEMA DIMENSIONS (Inches)

Size	LM		L1		LQ 48CZ/ 56C/140TC	180TC	LQ1		RQ			
	48CZ	56C/ 140TC	180TC/ 210TC	250TC			180TC	210TC	250TC	48CZ/ 56C/140TC	180TC	210TC
NH813	5.63	6.07	N/A	N/A	3.46	N/A	N/A	N/A	N/A	N/A	N/A	N/A
NH815	6.16	6.60	N/A	N/A	3.99	N/A	N/A	N/A	N/A	N/A	N/A	N/A
NH818	6.26	6.70	N/A	N/A	4.09	N/A	N/A	N/A	N/A	N/A	N/A	N/A
NH821	6.63	7.07	N/A	N/A	4.46	N/A	N/A	N/A	N/A	N/A	N/A	N/A
NH824	N/A	7.76	8.76	N/A	4.63	5.06	N/A	N/A	4.09	4.56	N/A	N/A
NH826	N/A	8.32	9.32	N/A	5.19	5.62	N/A	N/A	4.82	5.13	N/A	N/A
NH830	N/A	8.82	9.82	N/A	5.69	6.12	6.56	N/A	5.32	5.63	6.06	N/A
NH832	N/A	9.01	10.01	N/A	5.88	6.31	6.75	N/A	5.51	5.81	6.25	N/A
NH842	N/A	11.81	12.90	13.46	6.77	7.21	7.21	7.77	6.04	6.68	6.68	7.24
NH852	N/A	13.21	14.30	14.86	7.85	8.61	8.61	9.17	7.35	7.98	7.98	8.54

NEMA DIMENSIONS (Inches)

Frame	AJ	AK	BD	BE	BE1	Bore Dia.	Keyway♦	BF
48CZ	3.75	3.00	4.36	0.38	N/A	0.500	1/8 X 1/16	0.28
56C	5.88	4.50	6.50	0.38	N/A	0.625	3/16 X 3/32	0.41
140TC	5.88	4.50	6.50	0.38	N/A	0.875	3/16 X 3/32	0.41
180TC	7.25	8.50	9.00	N/A	0.50	1.125	1/4 X 1/8	0.53
210TC	7.25	8.50	9.00	N/A	0.50	1.375	5/16 X 5/32	0.53
250TC	7.25	8.50	9.00	N/A	0.50	1.625	3/8 X 3/16	0.53

IEC B5 & B3/B5 METRIC DIMENSIONS (Inches)♦

Size	LQ1					RQ						
	D63D	D71D	D80D	D90D	D100LD/ D112MD	D132D	D63D	D71D	D80D	D90D	D100LD/ D112MD	D132D
NH813	2.62	2.65	2.89	N/A	N/A	N/A	2.45	2.47	2.71	N/A	N/A	N/A
NH815	3.15	3.18	3.42	N/A	N/A	N/A	2.98	3.00	3.24	N/A	N/A	N/A
NH818	3.25	3.28	3.52	N/A	N/A	N/A	2.95	2.97	3.21	N/A	N/A	N/A
NH821	3.62	3.65	3.89	N/A	N/A	N/A	3.43	3.44	3.68	N/A	N/A	N/A
NH824	N/A	3.72	4.34	N/A	N/A	N/A	N/A	3.46	3.71	N/A	N/A	N/A
NH826	N/A	4.28	4.90	4.90	5.30	N/A	N/A	4.09	4.72	4.72	5.07	N/A
NH830	N/A	4.78	5.41	5.41	5.80	N/A	N/A	4.59	5.22	5.22	5.57	N/A
NH832	N/A	4.97	5.59	5.59	5.99	N/A	N/A	4.78	5.41	5.41	5.76	N/A
NH842	N/A	N/A	N/A	6.38	6.39	7.17	N/A	N/A	N/A	6.16	6.14	6.93
NH852	N/A	N/A	N/A	7.78	7.78	8.57	N/A	N/A	N/A	7.46	7.45	8.24

IEC B5 & B3/B5 METRIC DIMENSIONS (MM)

Frame	AJ	AK	BD	BE	Bore Dia.	Keyway♦	BF TAP	OD
D63D	115	95	117	10	11	4 X 2	M8 X 1.25	131
D71D	130	110	132	11	14	5 X 2.5	M8 X 1.25	146
D80D	165	130	165	15	19	6 X 3	M10 X 1.50	184
D90D	165	130	165	15	24	8 X 3.5	M10 X 1.50	184
D100LD/ D112MD	215	180	216	18	28	8 X 3.5	M12 X 1.75	237
D132D	265	230	267	18	38	10 X 4	M12 X 1.75	290

- * Applies to double output shaft
- ♦ Keyway width by depth
- 48CZ not available
- ♦ Metric IEC B5 input flange options are available only on quill input styles.
- * Style B and BM only.



For safety, purchaser or user should provide protective guards over shaft extensions and any couplings, sheaves and belts, sprockets and chains, etc., mounted thereon.

GROVE GEAR OE SERIES INTERCHANGE GUIDE

Grove Gear OE Series	Grove Gear IRONMAN NH Series
UF	BMQ
UFC	BM
U	B

Refer to page 8 for complete interchange guide for original Grove Gear OE Series products.