

PRODUCT INFORMATION PACKET

Model No: 6703

Catalog No: 6703

Fan and Blower Motor, 1/3 HP, 1 Ph, 60 Hz, 208-230/277 V, 1075 RPM, 5 Speed, 48 Frame, OAO



Regal and are trademarks of Regal Rexnord Corporation or one of its affiliated companies.
©2022 Regal Rexnord Corporation, All Rights Reserved. MC017097E

Nameplate Specifications

Output HP	1/3 Hp	Output KW	0.25 kW
Frequency	60 Hz	Voltage	208-230/277 V
Current	2.8/2.6 A	Speed	1075 rpm
Service Factor	1	Phase	1
Duty	Continuous Air Over	Insulation Class	B
Frame	48	Enclosure	Open Air Over
Thermal Protection	No Protection	Ambient Temperature	40 °C
UL	Recognized	CSA	Y
CE	N	Number of Speeds	5

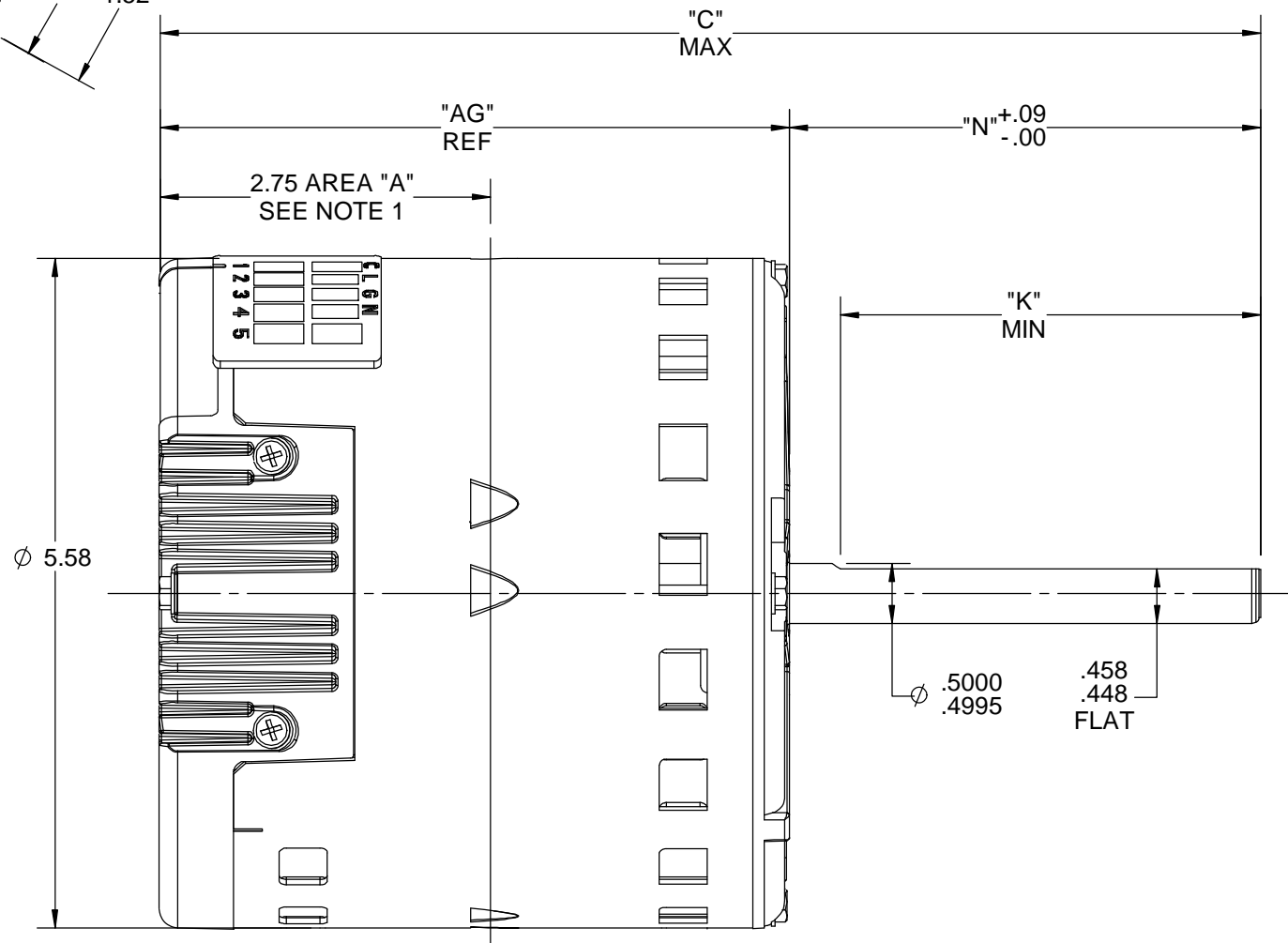
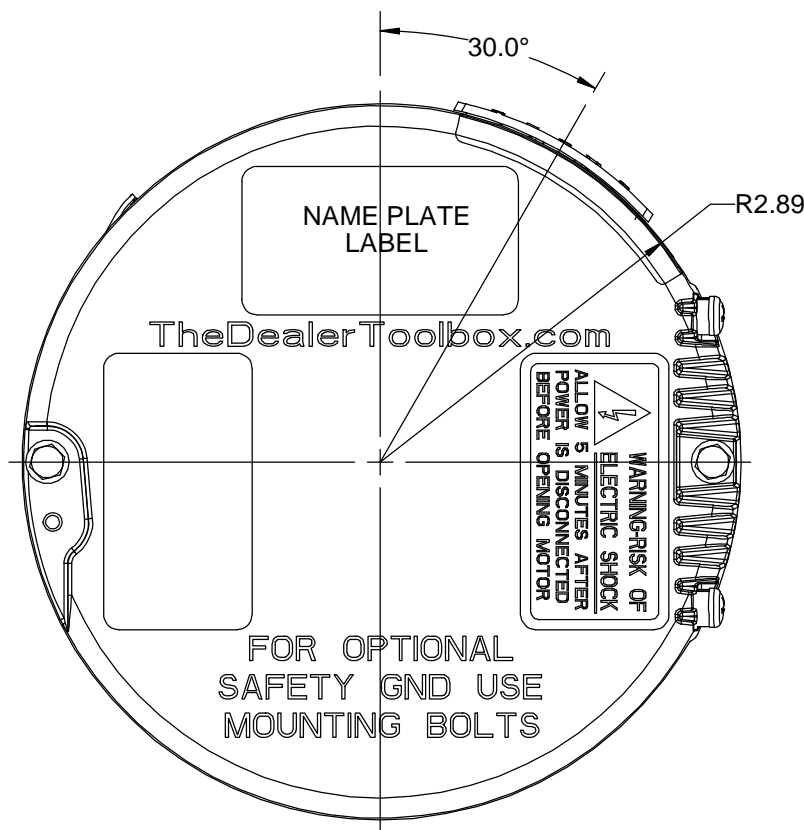
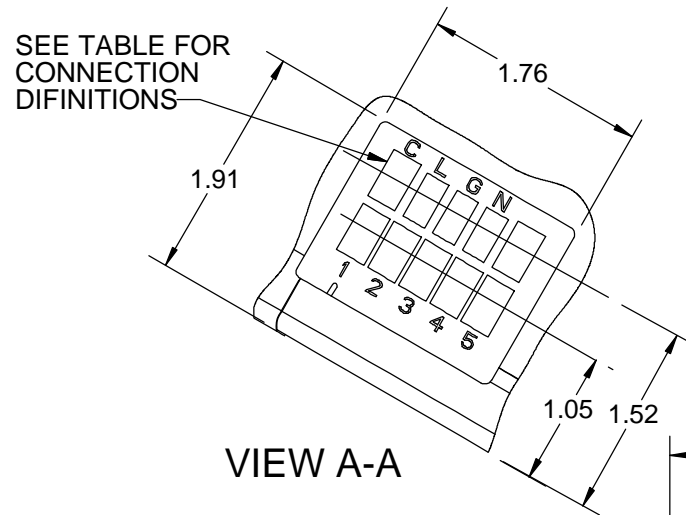
Technical Specifications

Electrical Type	Electronically Commutated Motor	Poles	12
Rotation	Counterclockwise/Clockwise	Mounting	Round
Motor Orientation	Hor	Drive End Bearing	Ball
Opp Drive End Bearing	Ball	Frame Material	Rolled Steel
Shaft Type	Flat	Overall Length	9.17 in
Frame Length	4.32 in	Shaft Diameter	0.500 in
Shaft Extension	3.92 in	Thru-bolts Extension	0 in
Connection Drawing	N/R	Outline Drawing	5SME39DXL227

This is an uncontrolled document once printed or downloaded and is subject to change without notice. Date Created:09/15/2022

CONNECTOR ID	DESCRIPTION
C	SIGNAL COMMON
L	LINE 1
G	GROUND
N	LINE 2
1	LOW (PWM)
2	MED-LOW
3	MED
4	MED-HIGH
5	HIGH

NAMEPLATE DATA	
MODEL	5SME39DXL227
CUSTOMER	DEF PUR
CPN/STOCK NO.	STOCK NO 6703
H.P.	1/3
RPM	1075
VOLTS	208-230/277
HZ	60/50
AMPS	2.8/2.6
ROTATION	CCW/CW
MTG POSITION	HOR/VSD



9.17	3.92	3.50	5.25
C	N	K	AG

- NOTE:
- BELLY BAND MUST NOT BE PLACED WITHIN AREA "A"
 - APPROXIMATE WEIGHT IS 9.2 LB

DRAWING REVISION C	REVISION BY KEP	DATE 12/22/2017
ECO ECO-0129397	APPROVED BY ANDREA	DATE 12/22/2017
ECO DESCRIPTION UPDATED AS PER ECO REQUEST		
<small>COPYRIGHT REGAL BELOIT AMERICA, INC. ALL RIGHTS RESERVED. PROPRIETARY AND CONFIDENTIAL INFORMATION - THIS DOCUMENT IS THE PROPERTY OF REGAL BELOIT AMERICA, INC. ("OWNER") AND CONTAINS OWNER'S PROPRIETARY INFORMATION. ANY PERSON, CORPORATION OR OTHER FIRM RECEIVING IT IS DEEMED, BY RECEIVING IT, TO AGREE THAT IT, AND/OR ANY PART OF IT, SHALL NOT BE DISCLOSED TO ANY PERSON, CORPORATION OR OTHER ENTITY, DUPLICATED, AND/OR USED, EXCEPT AS EXPRESSLY APPROVED IN WRITING IN ADVANCE BY OWNER. THIS DOCUMENT SHALL BE RETURNED TO OWNER UPON REQUEST. IT MAY BE SUBJECT TO CERTAIN RESTRICTIONS UNDER APPLICABLE EXPORT CONTROL LAWS AND REGULATIONS.</small>		

DRAWN BY SN	Regal Beloit America, Inc.
DATE 10/06/2015	
APPROVED BY KEP	DESCRIPTION OUTLINE Endura Pro
DATE 10/06/2015	MATERIAL
REFERENCE	PROCESS/FINISH
THIRD ANGLE PROJECTION	SIZE B
	DRAWING NUMBER 5SME39DXL227
	SHEET 1 OF 1