

PRODUCT INFORMATION PACKET



Model No: HSQ1152
Catalog No: HSQ1152
Pool Pump Motor, 1.5 HP, 1 Ph, 60 Hz, 230/115 V, 3600 RPM, Y56Y Frame, ODP



Regal and Century are trademarks of Regal Rexnord Corporation or one of its affiliated companies.
©2024 Regal Rexnord Corporation, All Rights Reserved. MC017097E





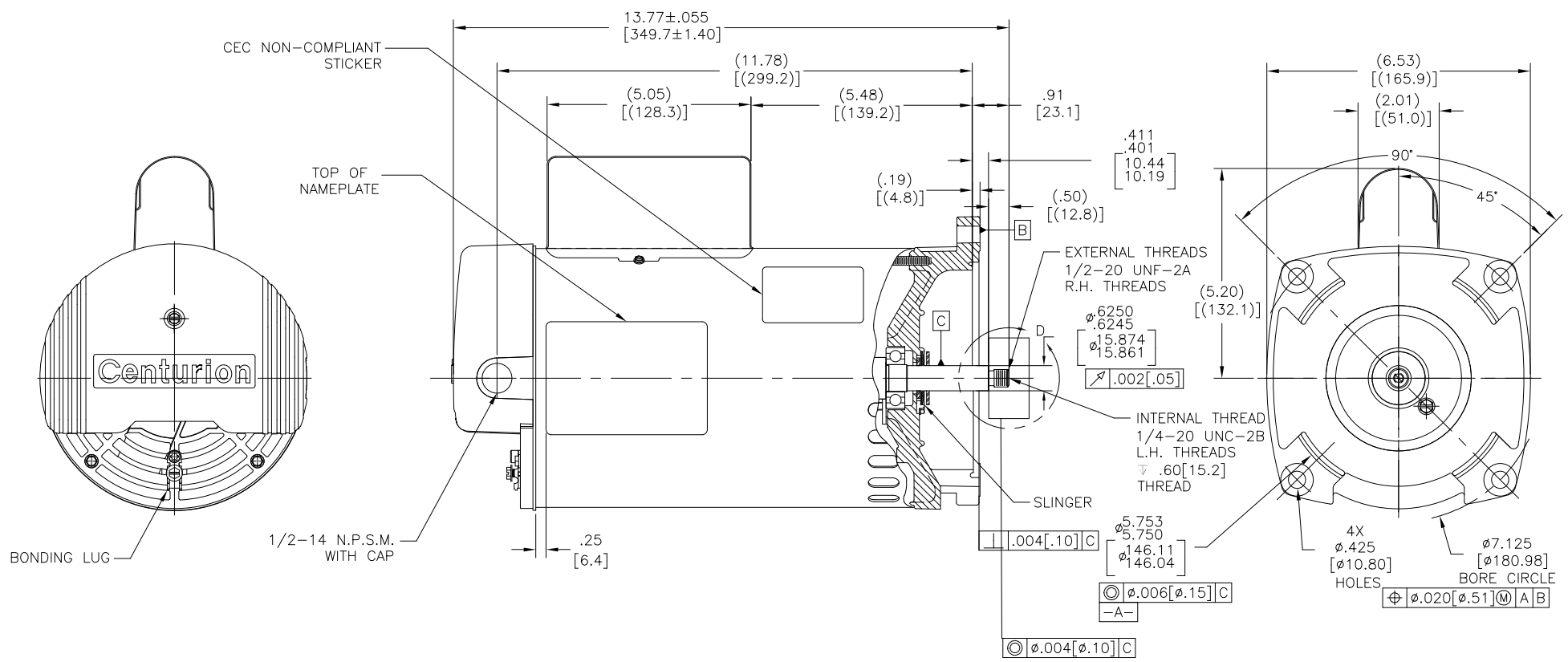
Nameplate Specifications

Phase	1	Output HP	1.5 Hp
Output KW	1.1 kW	Voltage	230/115 V
Speed	3450 rpm	Service Factor	1.6
Frame	Y56Y	Enclosure	Open Drip Proof
Thermal Protection	Thermally Protected	Ambient Temperature	60 °C
Frequency	60 Hz	Current	12.0-10.0/20.0 A
Duty	Continuous	Insulation Class	F
UL	Recognized	CSA	Y

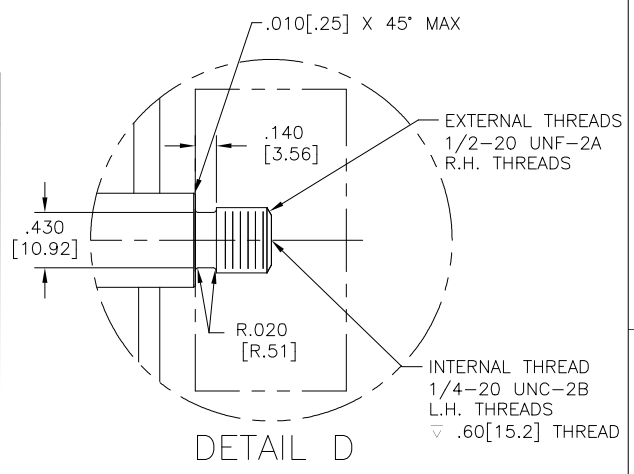
Technical Specifications

Electrical Type	Capacitor Start, Capacitor Run, Single Or Dual Voltage	Poles	2
Rotation	Counterclockwise Pump End	Mounting	Round
Motor Orientation	Horizontal	Drive End Bearing	Ball
Opp Drive End Bearing	Ball	Frame Material	Rolled Steel
Shaft Type	1/2 Thread	Overall Length	13.77 in
Frame Length	9.38 in	Shaft Diameter	0.625 in
Shaft Extension	0.91 in		
Connection Drawing	17536729.PCX	Outline Drawing	HSQ1152-S01

This is an uncontrolled document once printed or downloaded and is subject to change without notice. Date Created:04/15/2024



NAMEPLATE DATA	EXTERNAL CONNECTION DIAGRAM	NOTES
MODEL: 196337 CUST PN: HSQ1152 HP: 1.5 SF: 1.60 ROT: CCWPE RPM: 3450 TYPE: CP CODE: H FORM: FRAME: Y 56 Y VOLTS: 208-230/115 AMPS: MAX AMPS: 12.0-10.0/20.0 SF AMPS: - PH: 1 HZ: 60 INS: F AMB: 60°C DUTY: CONT ENCLOSURE: ODP THERMALLY PROTECTED	<p>GREEN (GROUND)</p> <p>HIGH VOLTAGE SHOWN. ROTATE DIAL COW TO 115 FOR LOW VOLTAGE.</p> <p>USE COPPER CONDUCTORS ONLY. INSTALL MOTOR WITH VENTS DOWN.</p> <p>ACCEPTABLE FOR FIELD WIRING</p>	<ol style="list-style-type: none"> FOR THREADED SHAFT EXT. ECCENTRICITY OF THREADED PORTION OF SHAFT IS HELD WITHIN .004[.10] TOTAL GAGE READING WITH THE INDICATOR ON O.D. OF GROUND RING GAGE AS SHOWN, THE GAGE BEING STATIONARY WITH RESPECT TO THE ROTOR. END PLAY NOT TO EXCEED .010[.25] MEASURED WITH NO THRUST ALL DIMENSIONS SHOWN IN PARENTHESIS ARE REFERENCE DIMENSIONS. FINISH PAINT TO BE BLACK. GREEN GROUND SCREW LOCATED UNDER COVER TO BE INSTALLED WITH A .09[2.3] MIN. GAP FOR EASY CONNECTION. CONNECTED FOR 230V. DUAL VOLTAGE MOTOR. SEE CONNECTION DIAGRAM TO CHANGE VOLTS TO 115V.



PERFORMANCE CURVE	APPROVED SAMPLE
01166401	0701131A
UL COMPONENT	CSA
FILE# CCN# FILE# GUIDE#	
E14663 PRGY2 LR642 4211-01	
CUSTOMER	DISTRIBUTION

DRAWING REVISION	REVISION BY	DATE	TOLERANCES UNLESS OTHERWISE SPECIFIED	ANGLE	DRAWN BY:	REGAL™	Regal Beloit America, Inc.
ECO	S JIMENEZ	4-9-2024	DEC. INCH mm	±0.1 [±2.5] ±0.5°	MEO		
ECR-0233006	S JIMENEZ	4-9-2024	.XX ±0.02 [±0.51]	.XXX ±0.005 [±0.127]	DATE: 09-14-2007		
SEE ECO			XXXX ±0.0005 [±0.0127]	REMOVE BURRS & BREAK SHARP EDGES .003/.015 [0.076/.381]	APPROVED BY:		
			CORNER FILLETS .02 [.51]	MACHINED SURFACES 125/32	DATE:		
			mm SHOWN IN [BRACKETS]		REFERENCE		
					MATERIAL		
					PROCESS/FINISH		
					SIZE DWG NO		
					HSQ1152		
					SHEET		
					1		