

# PRODUCT INFORMATION PACKET



Model No: H755  
Catalog No: H755

Pool Pump Motor, 3.0 HP, 3 Ph, 60 Hz, 208-230/460 V, 3600 RPM, Y56Y Frame, DP



Regal and Century are trademarks of Regal Rexnord Corporation or one of its affiliated companies.  
©2022 Regal Rexnord Corporation, All Rights Reserved. MC017097E





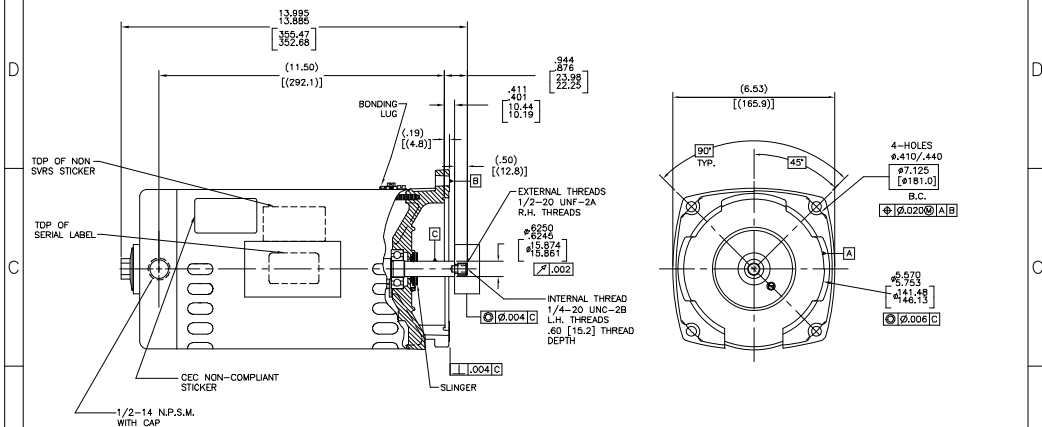
**Nameplate Specifications**

Output HP	<b>3.0 Hp</b>	Output KW	<b>2.2 kW</b>
Frequency	<b>60 Hz</b>	Voltage	<b>208-230/460 V</b>
Current	<b>SF 9.8-9.6/4.8 A</b>	Speed	<b>3450 rpm</b>
Service Factor	<b>1.15</b>	Phase	<b>3</b>
Duty	<b>Continuous</b>	Insulation Class	<b>B</b>
Frame	<b>Y56Y</b>	Enclosure	<b>Drip Proof</b>
Thermal Protection	<b>No Protection</b>	Ambient Temperature	<b>50 °C</b>
UL	<b>Recognized</b>	CSA	<b>Y</b>
Number of Speeds	<b>1</b>		

**Technical Specifications**

Electrical Type	<b>Polyphase, Induction Type, Single Or Dual Voltage</b>	Poles	<b>2</b>
Rotation	<b>Reversible Counterclockwise</b>	Mounting	<b>Round</b>
Motor Orientation	<b>Horizontal</b>	Drive End Bearing	<b>Ball</b>
Opp Drive End Bearing	<b>Ball</b>	Frame Material	<b>Rolled Steel</b>
Shaft Type	<b>1/2 Threaded</b>	Overall Length	<b>13.90 in</b>
Frame Length	<b>9.50 in</b>	Shaft Diameter	<b>0.625 in</b>
Shaft Extension	<b>0.91 in</b>		
Outline Drawing	<b>H755-S01</b>	Connection Drawing	<b>18304024.PCX</b>

This is an uncontrolled document once printed or downloaded and is subject to change without notice. Date Created:11/29/2022



NAMEPLATE DATA	EXTERNAL CONNECTION DIAGRAM	NOTES																											
MODEL: 165440 CUST PN: H755 HP: 3.0 SF: 1.15 ROT. REC. RPM: 3450 TYPE: SC CODE: M FORM: KJC FRAME: Y 56 Y VOLTS: 208-230/460 AMPS: SF-9.8-9.6/4.8 MAX AMPS: PH: 3 HZ: 60 INS: B AMB: 50°C DUTY: CONT ENCLOSURE: ODP	<table border="1"> <thead> <tr> <th>LOW VOLTAGE</th> <th>TO REVERSE</th> <th>HIGH VOLTAGE</th> </tr> </thead> <tbody> <tr> <td>1-BROWN</td> <td>INTER-CHARGE</td> <td>1-BROWN</td> </tr> <tr> <td>2-BLUE</td> <td>INTER-CHARGE</td> <td>2-BLUE</td> </tr> <tr> <td>3-RED</td> <td>LINE 1</td> <td>3-RED</td> </tr> <tr> <td>4-ORANGE</td> <td>LINE 2</td> <td>4-ORANGE</td> </tr> <tr> <td>5-GREEN</td> <td>LINE 3</td> <td>5-GREEN</td> </tr> <tr> <td>6-BLACK</td> <td>ANY TWO LEADS</td> <td>6-BLACK</td> </tr> <tr> <td>7-WHITE</td> <td></td> <td>7-WHITE</td> </tr> <tr> <td>8-GRAY</td> <td></td> <td>8-GRAY</td> </tr> </tbody> </table>	LOW VOLTAGE	TO REVERSE	HIGH VOLTAGE	1-BROWN	INTER-CHARGE	1-BROWN	2-BLUE	INTER-CHARGE	2-BLUE	3-RED	LINE 1	3-RED	4-ORANGE	LINE 2	4-ORANGE	5-GREEN	LINE 3	5-GREEN	6-BLACK	ANY TWO LEADS	6-BLACK	7-WHITE		7-WHITE	8-GRAY		8-GRAY	1. FOR THREADED SHAFT EXT. MATING PARTS SHOULD BE ENDED ONE THREAD TO CLEAR FILLET 2. LEAD PLAY NOT TO EXCEED .010 MEASURED WITH NO THRUST 3. ALL DIMENSIONS SHOWN IN PARENTHESIS ARE REFERENCE DIMENSIONS. 4. FINISH PAINT TO BE BLACK
LOW VOLTAGE	TO REVERSE	HIGH VOLTAGE																											
1-BROWN	INTER-CHARGE	1-BROWN																											
2-BLUE	INTER-CHARGE	2-BLUE																											
3-RED	LINE 1	3-RED																											
4-ORANGE	LINE 2	4-ORANGE																											
5-GREEN	LINE 3	5-GREEN																											
6-BLACK	ANY TWO LEADS	6-BLACK																											
7-WHITE		7-WHITE																											
8-GRAY		8-GRAY																											

PERFORMANCE CURVE	APPROVED SAMPLE
14817921	
UL COMPONENT	CSA
FILE# CCN# FILE# GUIDE#	
E44549 PRGY2 LR4642 4211-01	
CUSTOMER	DISTRIBUTION

ISSUED	REVISED	DATE	BY	DESCRIPTION	APPROVED BY	DATE	DESCRIPTION
03/15/2021							
03/16/2021							

DRAWN BY	CHECKED BY	DATE	DESCRIPTION

DATE	DESCRIPTION	APPROVED BY	DATE
11-16-2010			
11-16-2010			

MATERIAL	PROCESS/FINISH
Regal Beloit America, Inc.	
MODEL-PFHP-56FR	

SCALE	PROJ. NO.	SHEET NO.	TOTAL SHEETS
		1	1