

PRODUCT INFORMATION PACKET



Model No: H706ES
Catalog No: H706ES

General Purpose Pump Motor, 2 HP, 3 Ph, 60 Hz, 230/460 V, 3600 RPM, F56J Frame, TEFC



Regal and Century are trademarks of Regal Rexnord Corporation or one of its affiliated companies.
©2023 Regal Rexnord Corporation, All Rights Reserved. MC017097E





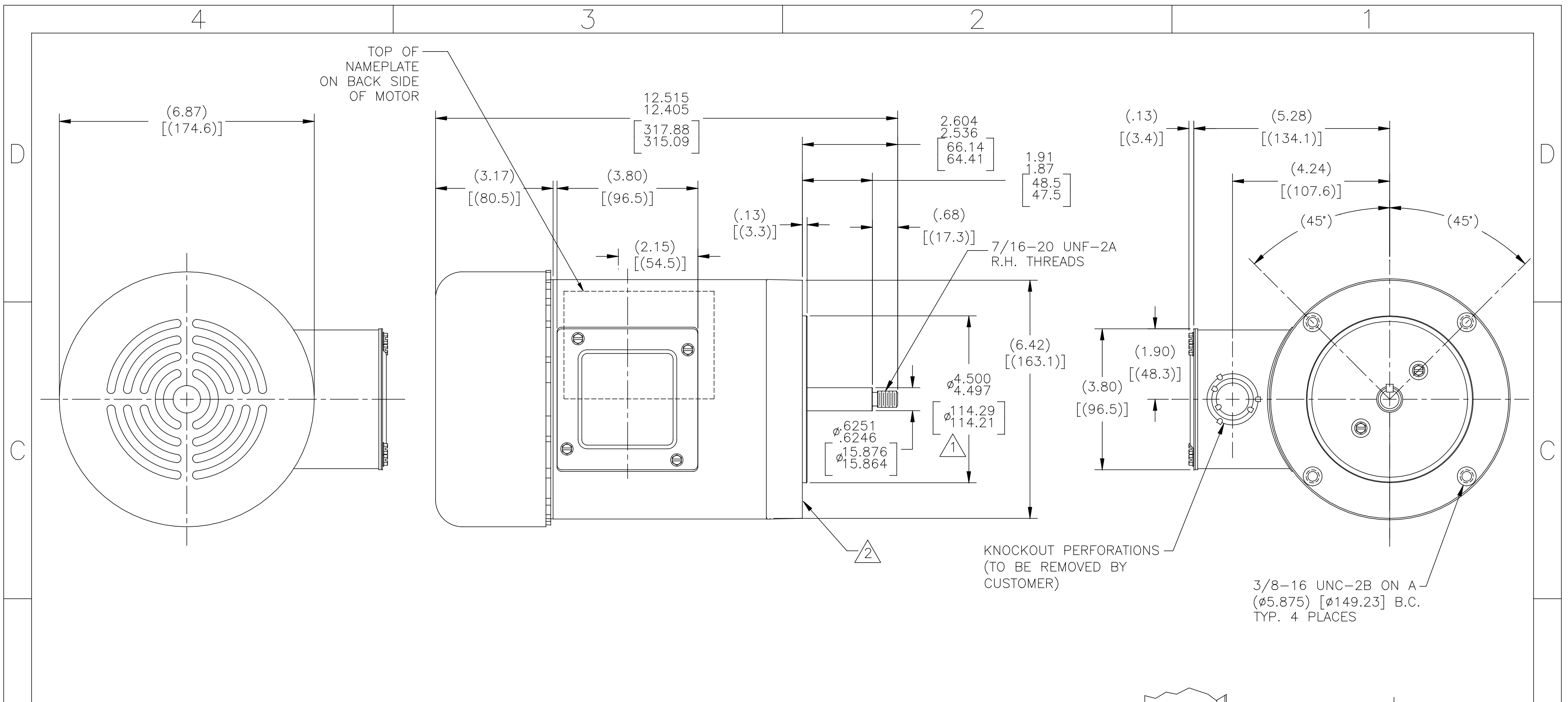
Nameplate Specifications

Phase	3	Output HP	2 Hp
Output KW	1.5 kW	Voltage	230/460 V
Speed	3450 rpm	Service Factor	1.15
Frame	F56J	Enclosure	Totally Enclosed Fan Cooled
Thermal Protection	No Protection	Ambient Temperature	40 °C
Frequency	60 Hz	Current	5.2/2.6 A
Duty	Continuous	Insulation Class	B
UL	Recognized	CSA	Y
CE	Y	Number of Speeds	1

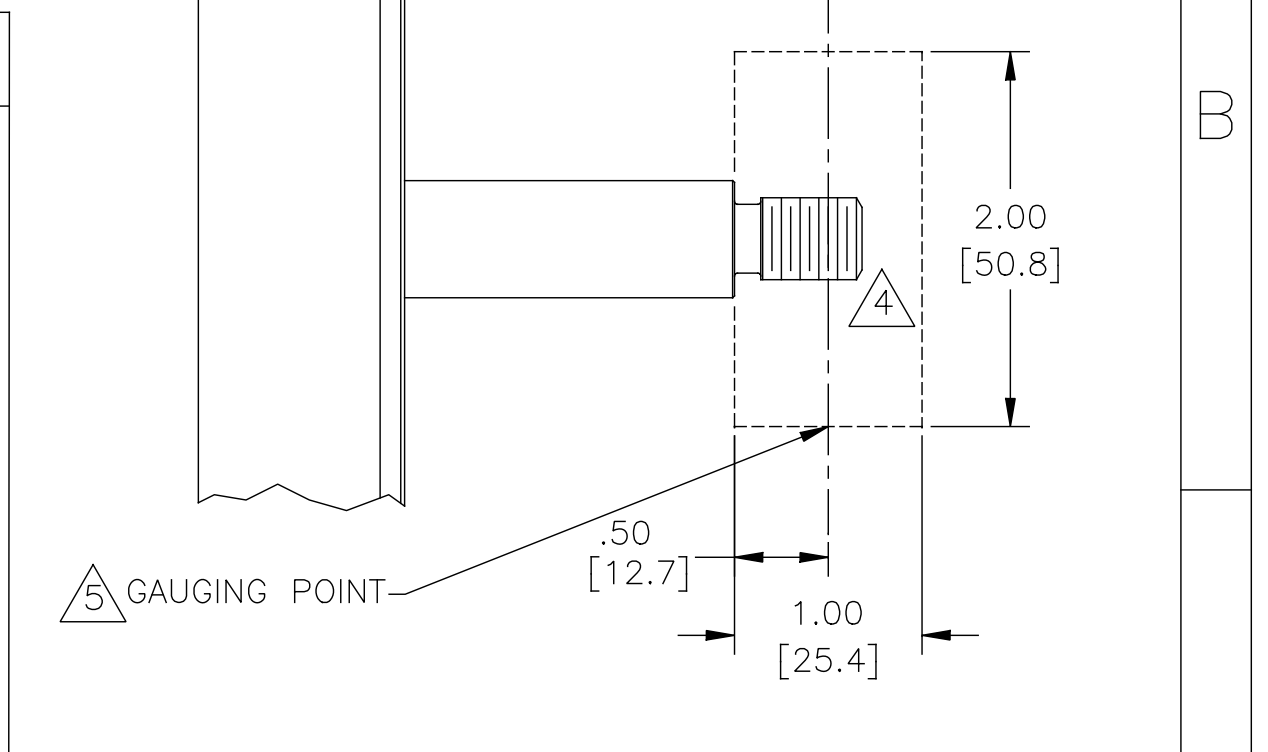
Technical Specifications

Electrical Type	Polyphase, Induction Type, Single Or Dual Voltage	Starting Method	Across The Line
Poles	2	Rotation	Reversible Clockwise
Mounting	Round	Drive End Bearing	Ball
Opp Drive End Bearing	Ball	Frame Material	Rolled Steel
Shaft Type	Threaded	Overall Length	12.52 in
Frame Length	5.75 in	Shaft Diameter	0.625 in
Shaft Extension	2.60 in		
Connection Drawing	18304024.PCX	Outline Drawing	H706ES-S01

This is an uncontrolled document once printed or downloaded and is subject to change without notice. Date Created:10/10/2023



NAMEPLATE DATA		EXTERNAL CONNECTION DIAGRAM	NOTES																														
MODEL: H706ES CUST PN: - HP: 2.0 SF: 1.15 ROT: RCW RPM: 3450 TYPE: SC FORM: VOLTS: 230/460 AMPS: 5.2/2.6 MAX AMPS: - SF AMPS: - PH: 3 INS: B DUTY: CONT ENCLOSURE: TE		183040-24 <table border="0"> <tr> <td>LOW VOLTAGE</td> <td></td> <td>HIGH VOLTAGE</td> </tr> <tr> <td>4-BROWN</td> <td>●</td> <td>4-BROWN</td> </tr> <tr> <td>5-ORANGE</td> <td>●</td> <td>7-PURPLE</td> </tr> <tr> <td>6-BLACK</td> <td>●</td> <td>5-ORANGE</td> </tr> <tr> <td>1-RED</td> <td>●</td> <td>8-GRAY</td> </tr> <tr> <td>7-PURPLE</td> <td>●</td> <td>6-BLACK</td> </tr> <tr> <td>2-WHITE</td> <td>●</td> <td>9-PINK</td> </tr> <tr> <td>8-GRAY</td> <td>●</td> <td>1-RED</td> </tr> <tr> <td>3-BLUE</td> <td>●</td> <td>2-WHITE</td> </tr> <tr> <td>9-PINK</td> <td>●</td> <td>3-BLUE</td> </tr> </table> <p>TO REVERSE, INTER-CHANGE ANY TWO LINE LEADS.</p>	LOW VOLTAGE		HIGH VOLTAGE	4-BROWN	●	4-BROWN	5-ORANGE	●	7-PURPLE	6-BLACK	●	5-ORANGE	1-RED	●	8-GRAY	7-PURPLE	●	6-BLACK	2-WHITE	●	9-PINK	8-GRAY	●	1-RED	3-BLUE	●	2-WHITE	9-PINK	●	3-BLUE	<p>⚠ PILOT DIAMETER IS CONCENTRIC WITH SHAFT CENTERLINE WITHIN .004 T.I.R.</p> <p>⚠ FACE OF MOUNTING FLANGE IS PERPENDICULAR TO SHAFT CENTERLINE WITHIN .004 T.I.R.</p> <p>3. SHAFT RUNOUT NOT TO EXCEED .002 T.I.R.</p> <p>4. FOR THREADED SHAFT EXT. MATING PARTS SHOULD BE RELIEVED ONE THREAD TO CLEAR FILLET.</p> <p>⚠ 5. FOR THREADER SHAFT EXT. ECCENTRICITY OF THREADED PORTION OF SHAFT IS HELD WITHIN .004 TOTAL GAGE READING WITH THE INDICATOR ON O.D. OF GROUND RING AS SHOWN. THE GAGE BEING STATIONARY WITH RESPECT TO THE ROTOR.</p> <p>6. END PLAY NOT TO EXCEED .010 MEASURED WITH NO THRUST</p> <p>7. ALL DIMENSIONS SHOWN IN PARENTHESIS ARE REFERENCE DIMENSIONS.</p>
LOW VOLTAGE		HIGH VOLTAGE																															
4-BROWN	●	4-BROWN																															
5-ORANGE	●	7-PURPLE																															
6-BLACK	●	5-ORANGE																															
1-RED	●	8-GRAY																															
7-PURPLE	●	6-BLACK																															
2-WHITE	●	9-PINK																															
8-GRAY	●	1-RED																															
3-BLUE	●	2-WHITE																															
9-PINK	●	3-BLUE																															



PERFORMANCE CURVE		APPROVED SAMPLE	
SS0010536			
UL COMPONENT		CSA	
FILE#	CCN#	FILE#	GUIDE#
E44549	PRGY2	LR4642	4211-01
CUSTOMER	DISTRIBUTION		

DRAWING REVISION	REVISION BY	DATE	TOLERANCES UNLESS OTHERWISE SPECIFIED
A	M. GRASTY	03-16-2016	DEC. INCH mm ANGLE
ECO	APPROVED BY	DATE	.XX ±0.02 [±0.51]
ECO-0098262	J. REYNOLDS	03-16-2016	.XXX ±0.005 [±0.127]
SEE ECO			.XXXX ±0.0005 [±0.0127]

COPYRIGHT REGAL BELOIT AMERICA, INC. ALL RIGHTS RESERVED. PROPRIETARY AND CONFIDENTIAL INFORMATION - THIS DOCUMENT IS THE PROPERTY OF REGAL BELOIT AMERICA, INC. (OWNER) AND CONTAINS OWNER'S PROPRIETARY INFORMATION. ANY PERSON, CORPORATION OR OTHER FIRM RECEIVING IT IS DEEMED, BY RECEIVING IT, TO AGREE THAT IT, AND/OR ANY PART OF IT, SHALL NOT BE DISCLOSED TO ANY PERSON, CORPORATION OR OTHER ENTITY, DUPLICATED, AND/OR USED, EXCEPT AS EXPRESSLY APPROVED IN WRITING IN ADVANCE BY OWNER. THIS DOCUMENT SHALL BE RETURNED TO OWNER UPON REQUEST. IT MAY BE SUBJECT TO CERTAIN RESTRICTIONS UNDER APPLICABLE EXPORT CONTROL LAWS AND REGULATIONS.

DRAWN BY:	REGAL™	Regal Beloit America, Inc.
M. GRASTY		
DATE:	03-12-2016	
APPROVED BY:	J. REYNOLDS	
DATE:	03-12-2016	
REFERENCE	MATERIAL	
	PROCESS/FINISH	
THIRD ANGLE PROJECTION	SIZE DWG NO	SHEET
	C H706ES	1