

PRODUCT INFORMATION PACKET



Model No: H1041L

Catalog No: H1041L

Circulator Pump Motor, 1/2 HP, 3 Ph, 60 Hz, 208-230/460 V, 1800 RPM, Y56CZ Frame, DP



Regal and Century are trademarks of Regal Rexnord Corporation or one of its affiliated companies.

©2023 Regal Rexnord Corporation, All Rights Reserved. MC017097E





Nameplate Specifications

Phase	3	Output HP	1/2 Hp
Output KW	0.37 kW	Voltage	208-230/460 V
Speed	1725 rpm	Service Factor	1.5
Frame	Y56CZ	Enclosure	Drip Proof
Thermal Protection	No Protection	Ambient Temperature	50 °C
Frequency	60 Hz	Current	1.8-2.0/1.0 A
Duty	Continuous	Insulation Class	B
UL	Recognized	CSA	Y
CE	N	Number of Speeds	1

Technical Specifications

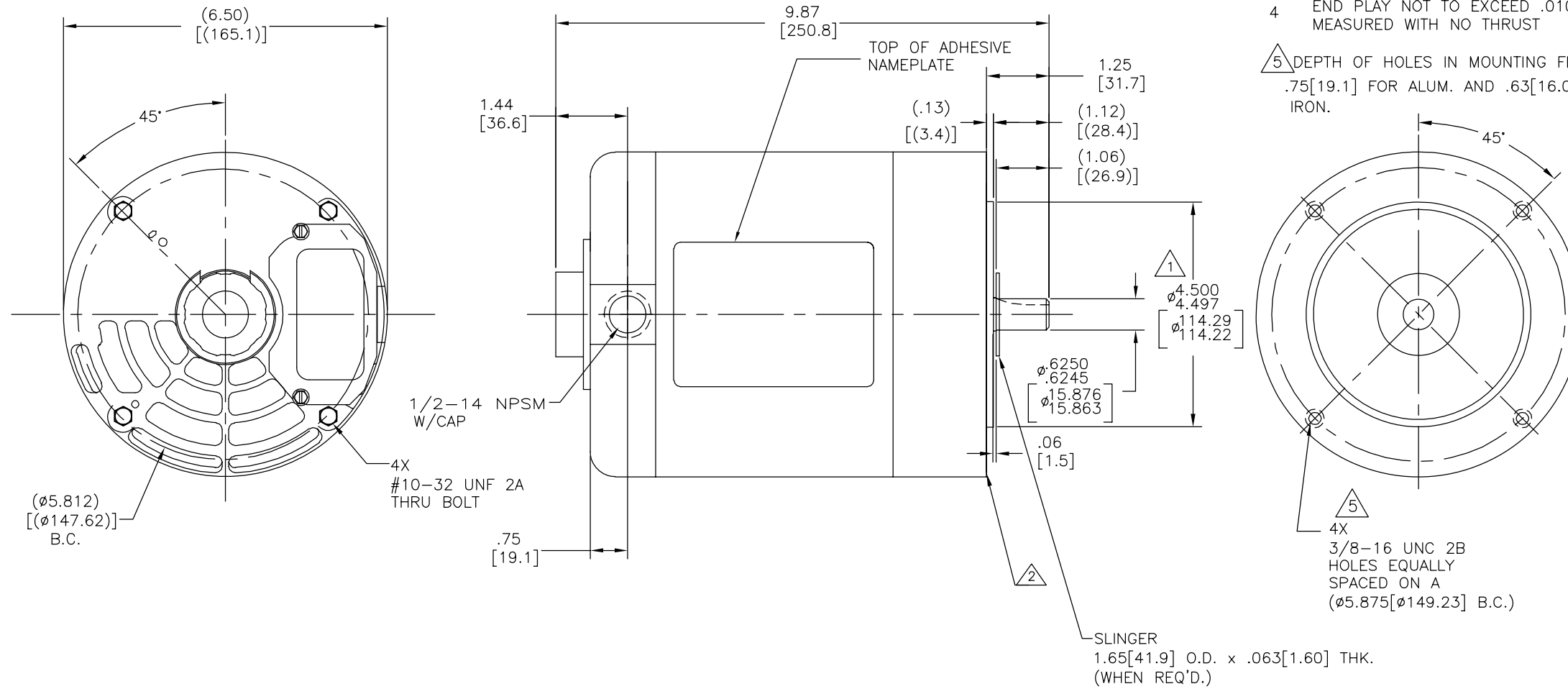
Electrical Type	Polyphase, Induction Type, Single Or Dual Voltage	Starting Method	Across The Line
Poles	4	Rotation	Reversible Counterclockwise
Mounting	C	Drive End Bearing	Ball
Opp Drive End Bearing	Ball	Frame Material	Rolled Steel
Shaft Type	Keyed	Overall Length	9.87 in
Frame Length	4.75 in	Shaft Diameter	0.625 in
Shaft Extension	1.25 in		
Connection Drawing	18304024.PCX	Outline Drawing	H1041L-S01

This is an uncontrolled document once printed or downloaded and is subject to change without notice. Date Created:08/24/2023

REV	ECO	REV BY	DATE	APPD	DATE
B	ECO-0030012	J. COX	01-02-2013	JC	01-02-2013

NOTES:

- 1 PILOT DIAMETER IS CONCENTRIC WITH SHAFT CENTERLINE WITHIN .004[.10] T.I.R.
- 2 FACE OF MOUNTING FLANGE IS PERPENDICULAR TO SHAFT CENTERLINE WITHIN .004[.10] T.I.R.
- 3 SHAFT RUNOUT NOT TO EXCEED .002[.05] T.I.R.
- 4 END PLAY NOT TO EXCEED .010[.25] MEASURED WITH NO THRUST
- 5 DEPTH OF HOLES IN MOUNTING FLANGE ARE .75[19.1] FOR ALUM. AND .63[16.0] FOR CAST IRON.



GEOMETRIC CHARACTERISTICS & SYMBOLS

- FLATNESS
- STRAIGHTNESS
- ∠ ANGULARITY
- ⊥ PERPENDICULARITY (SQUARENESS)
- // PARALLELISM
- ROUNDNESS (CIRCULARITY)
- ⊘ CYLINDRICITY
- △ PROFILE OF ANY SURFACE
- ⌒ PROFILE OF ANY LINE
- ⌒ RUNOUT
- ⊕ TRUE POSITION
- ⊙ CONCENTRICITY
- ≡ SYMMETRY

ASME Y14.5M 1994

UNLESS OTHERWISE SPECIFIED DIM. TOLERANCES ARE AS FOLLOWS:

	X	XX	XXX	XXXX
INCH	±.1	±.02	±.005	±.0005
mm	±0.5	±0.13	±0.013	

ANG. ±.50 DEG
REMOVE BURRS & BREAK SHARP EDGES:
INCH .003-.015 mm 0.1-0.4
CORNER FILLETS TO:
INCH .020 mm 0.5
MACHINE SURFACES:
INCH 125 mm 3.2
METRIC DIMS. SHOWN IN [BRACKETS]

DR BY:	YL	08-13-2010
APPD:	RX	08-13-2010
THIRD ANGLE PROJECTION		EDS DATE 11-11-2011 FORMAT REV H
CONFIDENTIAL: THIS DRAWING AND ITS INFORMATION ARE THE EXCLUSIVE AND CONFIDENTIAL PROPERTY OF REGAL-BELOIT CORPORATION AND ARE NOT TO BE DISCLOSED, DUPLICATED, DISTRIBUTED OR OTHERWISE USED WITHOUT THE WRITTEN CONSENT OF REGAL-BELOIT CORPORATION. -ALL RIGHTS RESERVED.		

		REGAL-BELOIT CORPORATION
DESCRIPTION MODEL-PFHP-56FR OUTLINE		
SIZE C	DWG NO H1041L	
SCALE NONE		SHEET 1