

# PRODUCT INFORMATION PACKET



Model No: BG131A  
Catalog No: BG131A

Guardian ® Motors Pool Pump Motor, 3.0 HP, 1 Ph, 60 Hz, 230 V, 3600 RPM, Y56J Frame, DP



Regal and Century are trademarks of Regal Rexnord Corporation or one of its affiliated companies.  
©2022 Regal Rexnord Corporation, All Rights Reserved. MC017097E





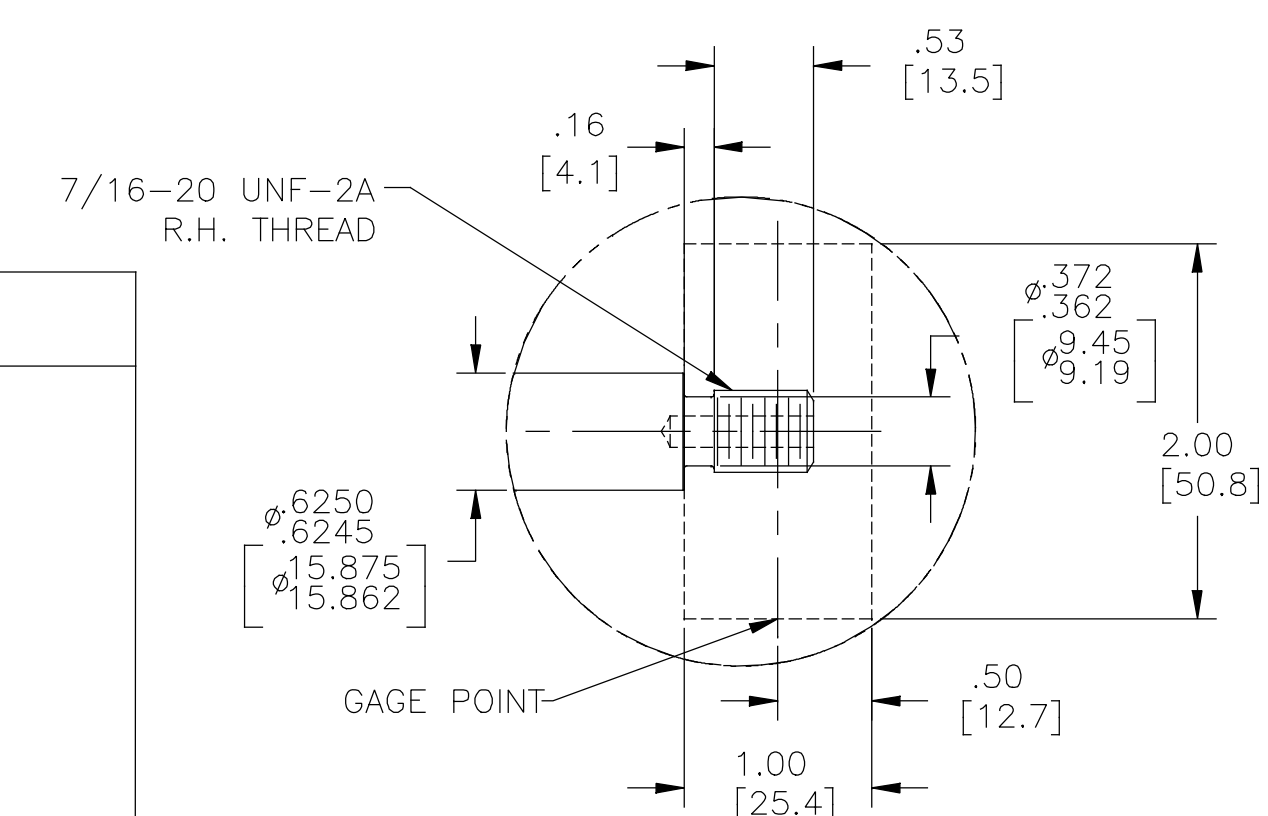
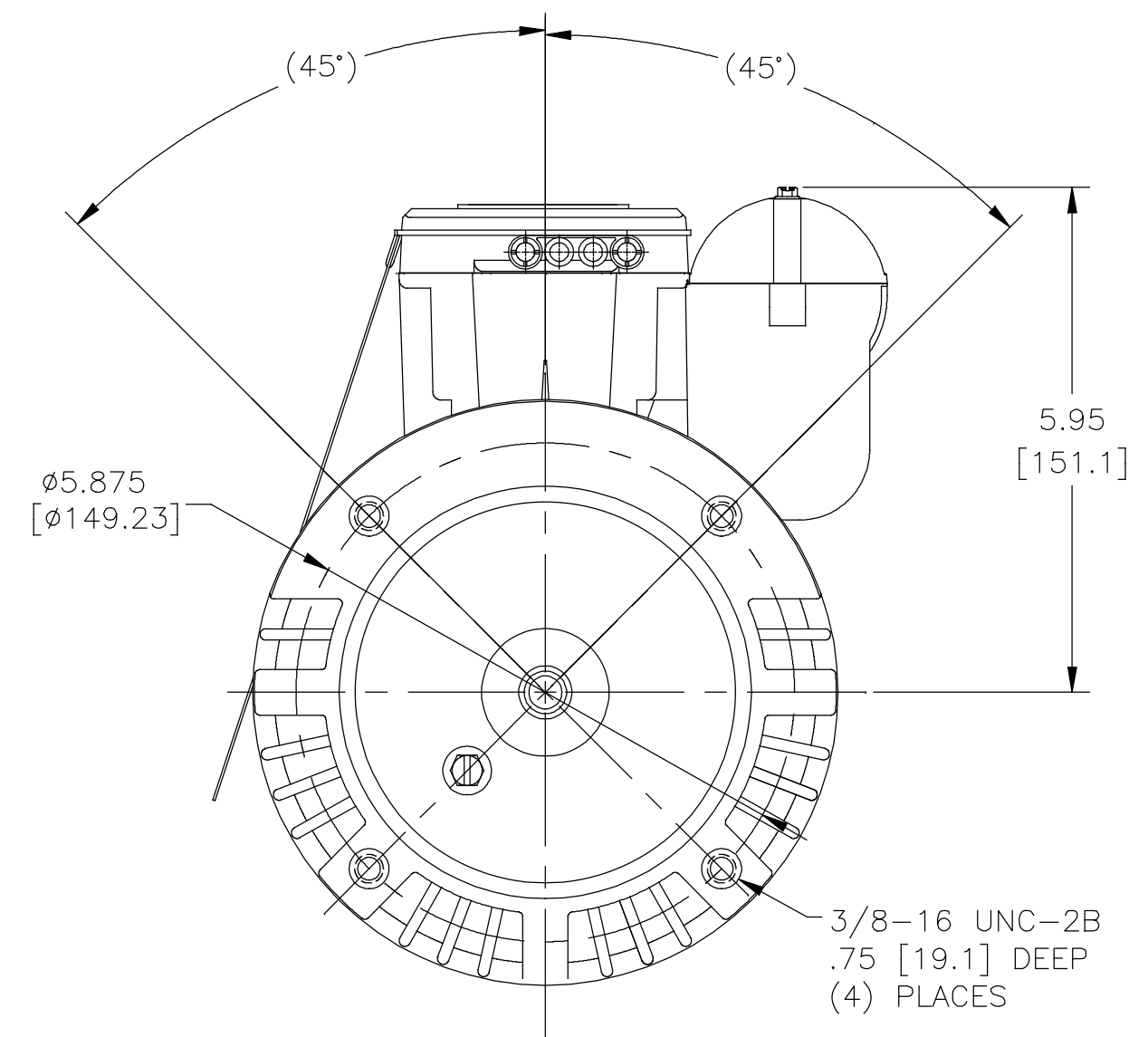
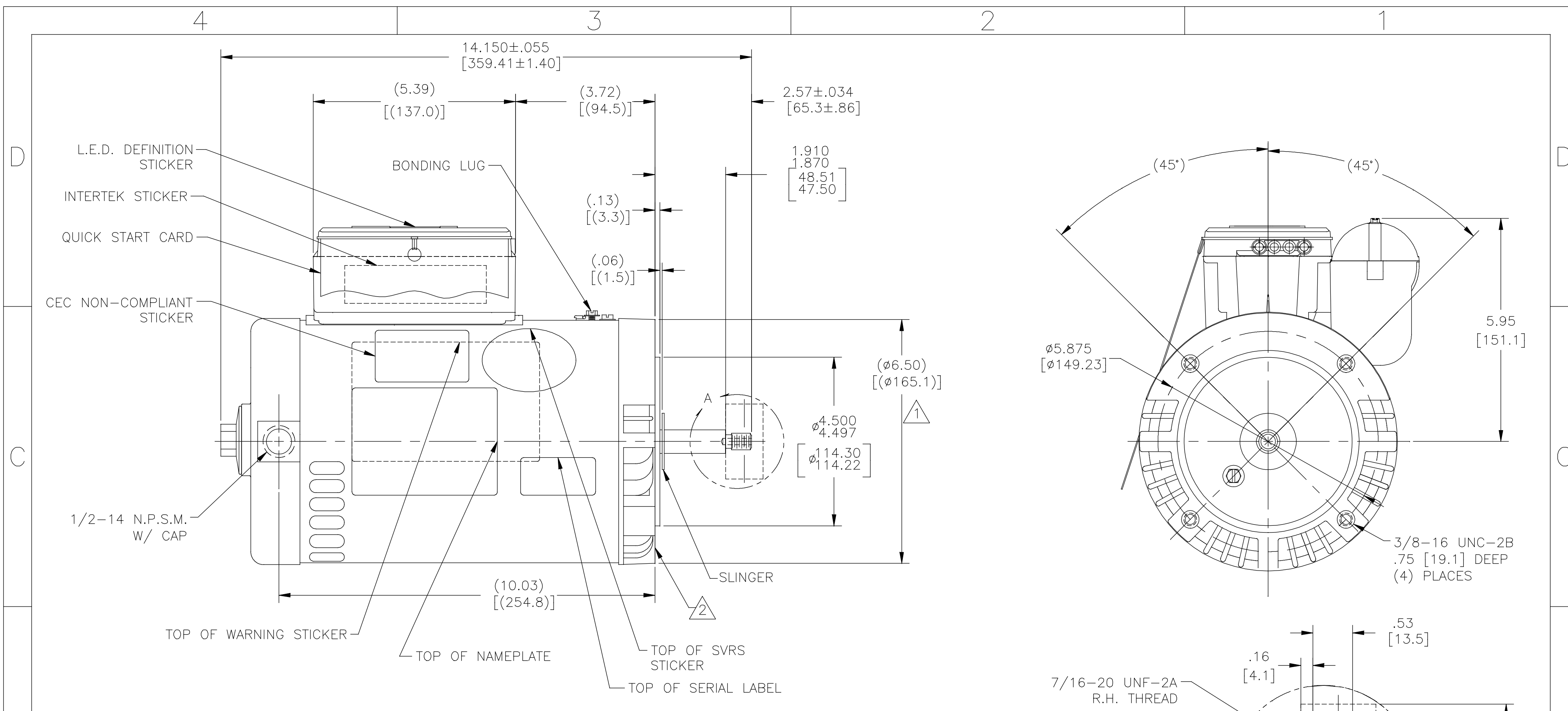
**Nameplate Specifications**

Output HP	<b>3.0 Hp</b>	Output KW	<b>2.2 kW</b>
Frequency	<b>60 Hz</b>	Voltage	<b>230 V</b>
Current	<b>SF 14.1 A</b>	Speed	<b>3450 rpm</b>
Service Factor	<b>1.15</b>	Phase	<b>1</b>
Duty	<b>Continuous</b>	Insulation Class	<b>B</b>
Frame	<b>Y56J</b>	Enclosure	<b>Drip Proof</b>
Thermal Protection	<b>Thermally Protected</b>	Ambient Temperature	<b>50 °C</b>
UL	<b>Recognized</b>	CSA	<b>Y</b>
Number of Speeds	<b>1</b>		

**Technical Specifications**

Electrical Type	<b>Permanent Split Capacitor, Single Or Dual Voltage</b>	Poles	<b>2</b>
Rotation	<b>Counterclockwise Pump End</b>	Mounting	<b>Round</b>
Motor Orientation	<b>Horizontal</b>	Drive End Bearing	<b>Ball Brg</b>
Opp Drive End Bearing	<b>Ball</b>	Frame Material	<b>Rolled Steel</b>
Shaft Type	<b>7/16 Threaded</b>	Overall Length	<b>14.15 in</b>
Frame Length	<b>8.50 in</b>	Shaft Diameter	<b>0.625 in</b>
Shaft Extension	<b>2.57 in</b>		
Connection Drawing	<b>17050319.PCX</b>	Outline Drawing	<b>BG131A-S01</b>

This is an uncontrolled document once printed or downloaded and is subject to change without notice. Date Created:11/28/2022



DETAIL A  
SCALE 1:1

NAMEPLATE DATA	EXTERNAL CONNECTION DIAGRAM	NOTES
MODEL: F56AA39A01 CUST PN: BG131A HP: 3.0 SF: 1.15 ROT: CCWPE RPM: 3450 TYPE: CX CODE: F FORM: KJM FRAME: Y56J VOLTS: 230 AMPS: MAX AMPS: SF AMPS: 14.1 PH: 1 HZ: 60 INS: B AMB: 50°C DUTY: CONT ENCLOSURE: ODP THERMALLY PROTECTED		1. PILOT DIAMETER IS CONCENTRIC WITH SHAFT CENTERLINE WITHIN .004 T.I.R. 2. FACE OF MOUNTING FLANGE IS PERPENDICULAR TO SHAFT CENTERLINE WITHIN .004 T.I.R. 3. SHAFT RUNOUT NOT TO EXCEED .002 T.I.R. 4. END PLAY NOT TO EXCEED .010 MEASURED WITH NO THRUST 5. FINISH PAINT TO BE SATIN BLACK

PERFORMANCE CURVE	APPROVED SAMPLE		
15593411			
UL COMPONENT	CSA		
FILE#	CCN#	FILE#	GUIDE#
PENDING	PENDING	PENDING	PENDING
CUSTOMER	DISTRIBUTION SERVICES		

DRAWING REVISION F	REVISION BY G. RODRIGUEZ	DATE 04-25-2019	TOLERANCES UNLESS OTHERWISE SPECIFIED DEC. INCH mm ANGLE .XX ±0.1 [±2.5] ±0.5° .XX ±0.02 [±0.51] .XXX ±0.005 [±0.127] .XXXX ±0.0005 [±0.0127]	DRAWN BY: J. HENRY	Regal Beloit America, Inc.	
ECO ECO-0165900	APPROVED BY G. RODRIGUEZ	DATE 04-25-2019	REMOVE BURRS & BREAK SHARP EDGES .003/.015 [0.076/.381] CORNER FILLETS .02 [.51] MACHINED SURFACES 125/INCH 32/mm	DATE: 06-08-2009		
ECO DESCRIPTION SEE ECO				APPROVED BY:	DESCRIPTION MODEL-PFHP-56FR OUTLINE	
<small>COPYRIGHT REGAL BELOIT AMERICA, INC. ALL RIGHTS RESERVED. PROPRIETARY AND CONFIDENTIAL INFORMATION - THIS DOCUMENT IS THE PROPERTY OF REGAL BELOIT AMERICA, INC. (OWNER) AND CONTAINS OWNER'S PROPRIETARY INFORMATION. ANY PERSON, CORPORATION OR OTHER FIRM RECEIVING IT IS DEEMED, BY RECEIVING IT, TO AGREE THAT IT, AND/OR ANY PART OF IT, SHALL NOT BE DISCLOSED TO ANY PERSON, CORPORATION OR OTHER ENTITY, DUPLICATED, AND/OR USED, EXCEPT AS EXPRESSLY APPROVED IN WRITING IN ADVANCE BY OWNER. THIS DOCUMENT SHALL BE RETURNED TO OWNER UPON REQUEST. IT MAY BE SUBJECT TO CERTAIN RESTRICTIONS UNDER APPLICABLE EXPORT CONTROL LAWS AND REGULATIONS.</small>				REFERENCE	MATERIAL	PROCESS/FINISH
				THIRD ANGLE PROJECTION	SIZE DWG NO C	SHEET 1