

PRODUCT INFORMATION PACKET



Model No: B638
Catalog No: B638

Pool Pump Motor, 3/4 HP, 1 Ph, 60 Hz, 208-230/115 V, 3600 RPM, U56J Frame, DP



Regal and Century are trademarks of Regal Rexnord Corporation or one of its affiliated companies.
©2023 Regal Rexnord Corporation, All Rights Reserved. MC017097E





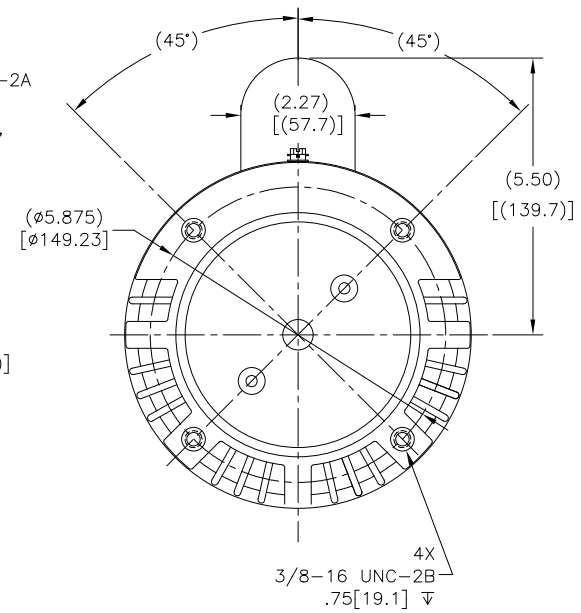
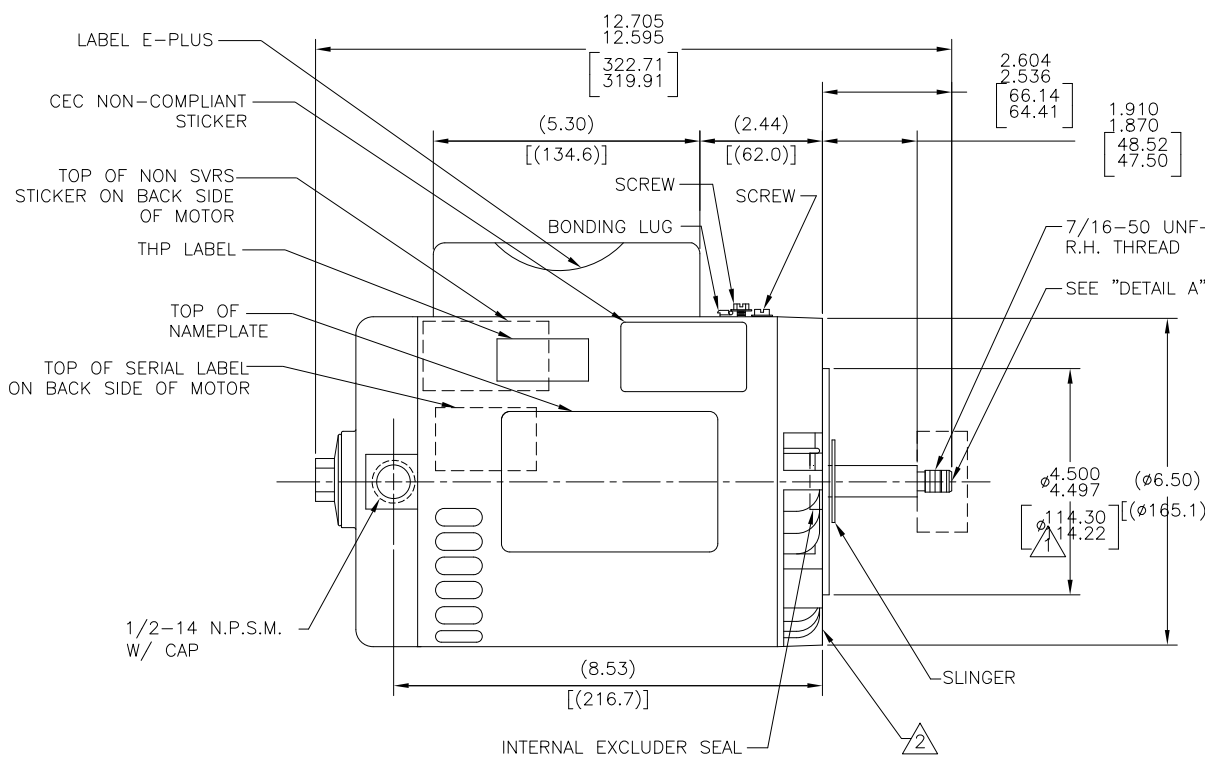
Nameplate Specifications

Output HP	3/4 Hp	Output KW	0.56 kW
Frequency	60 Hz	Voltage	208-230/115 V
Current	SF 5.4-5.0/10.0 A	Speed	3450 rpm
Service Factor	1.5	Phase	1
Duty	Continuous	Insulation Class	B
Frame	U56J	Enclosure	Drip Proof
Thermal Protection	Thermally Protected	Ambient Temperature	50 °C
UL	Recognized	CSA	Y
Number of Speeds	1		

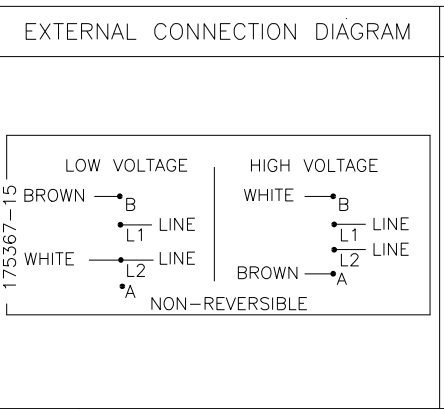
Technical Specifications

Electrical Type	Permanent Split Capacitor, Single Or Dual Voltage	Poles	2
Rotation	Counterclockwise Pump End	Mounting	Round
Motor Orientation	Horizontal	Drive End Bearing	Ball
Opp Drive End Bearing	Ball	Frame Material	Rolled Steel
Shaft Type	7/16 Threaded	Overall Length	12.65 in
Frame Length	7.00 in	Shaft Diameter	0.625 in
Shaft Extension	2.604 in		
Outline Drawing	B638-S01	Connection Drawing	17536715.PCX

This is an uncontrolled document once printed or downloaded and is subject to change without notice. Date Created:03/16/2023

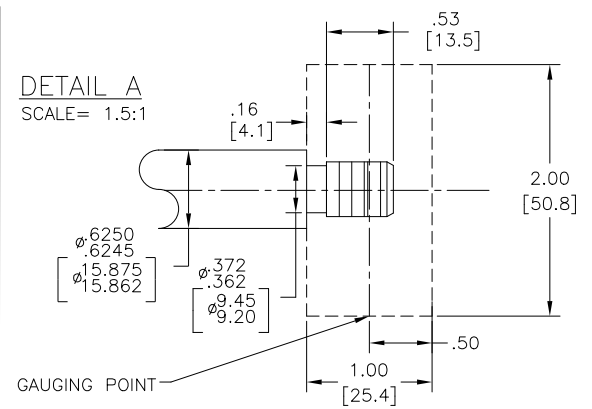


NAMEPLATE DATA	
MODEL: 165118	
CUST PN: B638	
HP: 3/4	SF: 1.50
ROT: CCWPE	
RPM: 3450	
TYPE: CX	CODE: L
FORM: U	FRAME: U 56 J
VOLTS: 208-230/115	
AMPS:	
MAX AMPS: 5.4-5.0/10.0	
PH: 1	HZ: 60
INS: B	AMB: 50°C
DUTY: CONT	
ENCLOSURE: ODP	
THERMALLY PROTECTED	



NOTES

- PILOT DIAMETER IS CONCENTRIC WITH SHAFT CENTERLINE WITHIN .004[.10] T.I.R.
- FACE OF MOUNTING FLANGE IS PERPENDICULAR TO SHAFT CENTERLINE WITHIN .004[.10] T.I.R.
- SHAFT RUNOUT NOT TO EXCEED .002[.05] T.I.R
- END PLAY NOT TO EXCEED .010[.25] MEASURED WITH NO THRUST



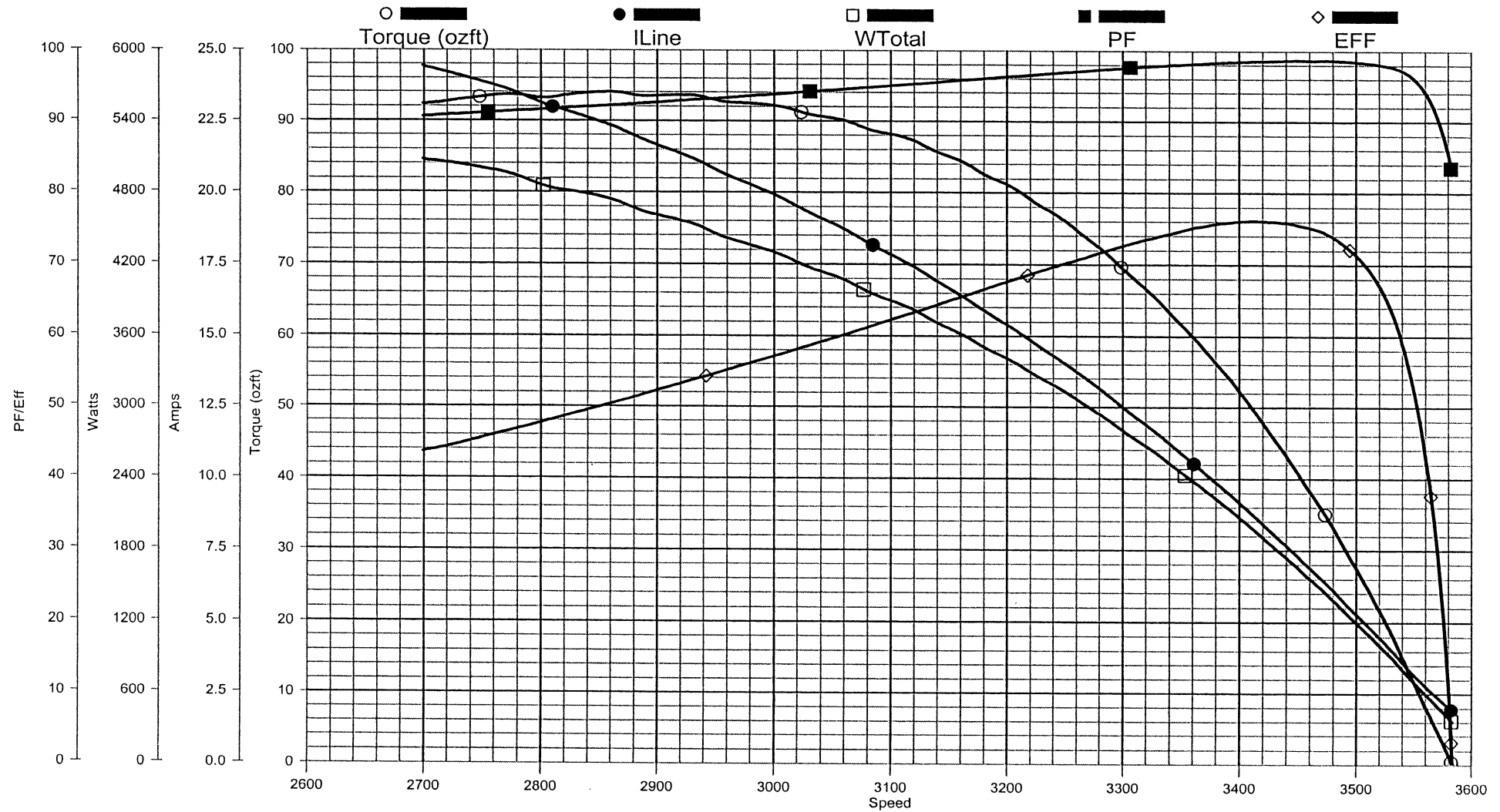
PERFORMANCE CURVE	APPROVED SAMPLE		
16380512	---		
UL COMPONENT	CSA		
FILE#	CCN#	FILE#	GUIDE#
E14663	XEWR2	LR4642	4211-01
CUSTOMER	DISTRIBUTION		

DRAWING REVISION: F	REVISION BY: D.SURYAWANSHI	DATE: 08/06/2021	TOLERANCES UNLESS OTHERWISE SPECIFIED	DRAWN BY: YL	
ECO: ECR-0211612	APPROVED BY:	DATE:	.X ±0.1 [±2.5] ±0.5°	DATE: 10-21-2010	
ECO DESCRIPTION: ADDED LABEL PER ECR			.XX ±0.02 [±0.51]	APPROVED BY: 17	DESCRIPTION: MODEL-CFHP-56FR OUTLINE
<small> COPYRIGHT REGAL BELOIT AMERICA, INC. ALL RIGHTS RESERVED. PROPRIETARY AND CONFIDENTIAL INFORMATION - THIS DOCUMENT IS THE PROPERTY OF REGAL BELOIT AMERICA, INC. (OWNER) AND CONTAINS OWNER'S PROPRIETARY INFORMATION. ANY REPRODUCTION OR OTHER FORM RECEIVING IT IS DENIED. BY RECEIVING IT, TO AGREE THAT IT, AND/OR ANY PART OF IT, SHALL NOT BE DISCLOSED TO ANY PERSON, CORPORATION OR OTHER ENTITY, DUPLICATED, AND/OR USED, EXCEPT AS EXPRESSLY APPROVED IN WRITING IN ADVANCE BY OWNER. THIS DOCUMENT SHALL BE RETURNED TO OWNER UPON REQUEST. IT MAY BE SUBJECT TO CERTAIN RESTRICTIONS UNDER APPLICABLE EXPORT CONTROL LAWS AND REGULATIONS. </small>			.XXX ±0.0005 [±0.0127]	DATE: 10-21-2010	MATERIAL:
			REMOVE BURRS & BREAK SHARP EDGES .003[.015] [0.076[.381]] X 45°	REFERENCE:	PROCESS/FINISH:
			CORNER FILLETS R.02 [51]	THIRD ANGLE PROJECTION	SIZE: C
			MACHINED SURFACES: 125 INCH/mm 32		DWG NO: B638
			mm SHOWN IN [BRACKETS]		SHEET: 1

AO Smith

Performance Project: 0443403 (High Speed)

Monday, July 26, 2004 02:39 AM



TRACKING #: 10027268
 SBU: Pump
 ENGINEER: RAY PHILLIPS/ JAMIE WATKINS
 TECHNICIAN: DAN
 BENCH: 2
 TORQUE CELL: 350 lb-in
 NP RPM: 3450
 # SPEEDS: 1
 MOTOR #: 1
 TYPE: CX

CUSTOMER: A. O. SMITH
 MODEL: 0443403A
 FRAME: U56J
 PHASES: 1
 HP: 0.75
 VOLTS: 230.0
 HERTZ: 60
 START CAP: 0.00
 RUN CAP: 50.00
 COMMENT3:

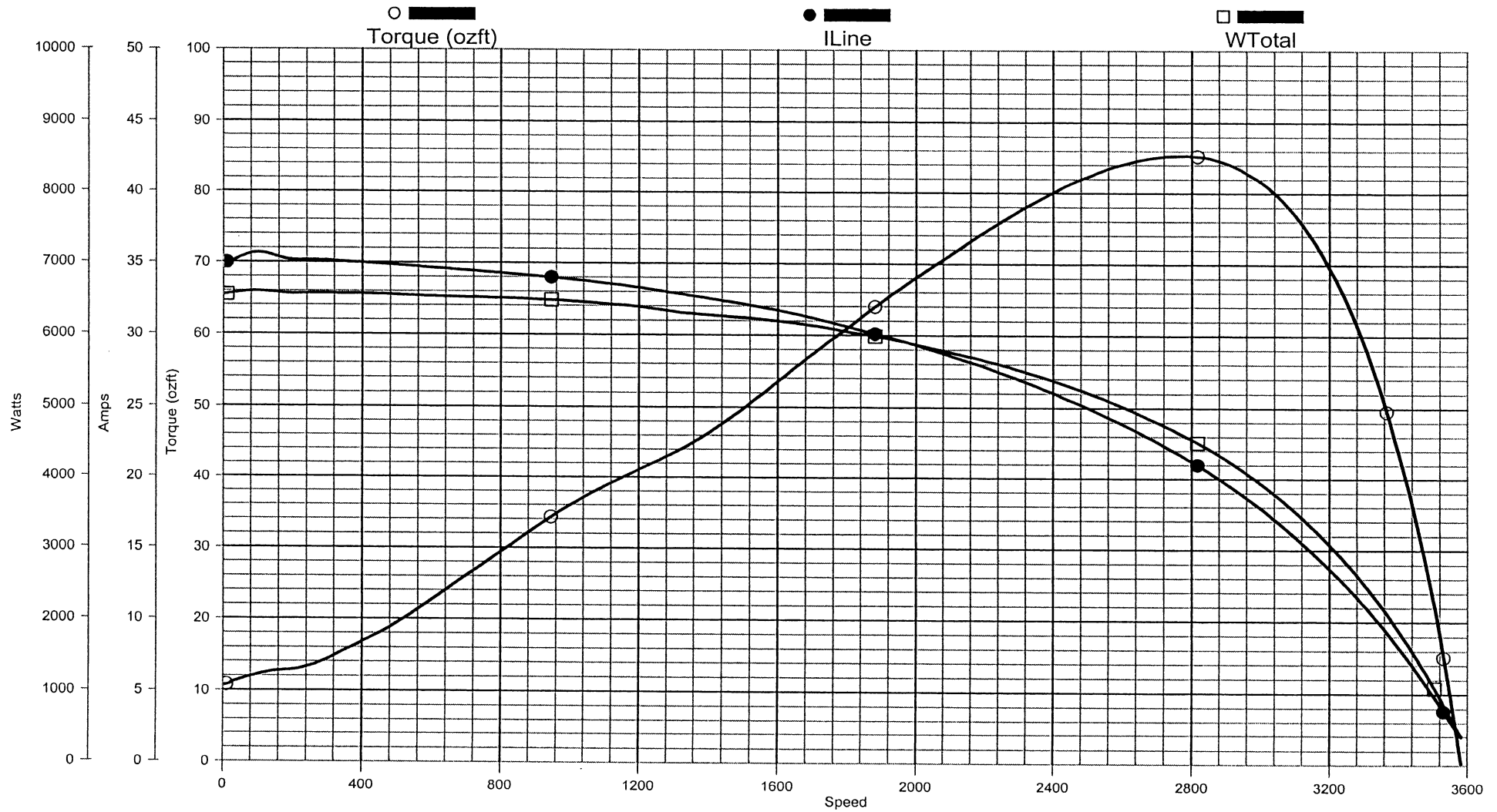
DESCRIPTION: OFFSET
 BDT: 93.61
 MT: 94.02
 SF: 27.30
 LRT: 0.00
 LRA: 0.00
 PUT: 0.00
 COMMENT1:
 COMMENT2:
 COMMENT4:

LOCK AMPS: 35.6A
 LOCK TORQUE: 13.0 oz-ft
 BREAKDOWN TORQUE: 93.6 oz-ft

AO Smith

Performance Project: 0443403 (High Speed)

Monday, July 26, 2004 02:53 AM



TRACKING #: 10027268
 SBU: Pump
 ENGINEER: RAY PHILLIPS/ JAMIE WATKINS
 TECHNICIAN: DAN
 BENCH: 2
 TORQUE CELL: 350 lb-in
 NP RPM: 3450
 # SPEEDS: 1
 MOTOR #: 1
 TYPE: CX

CUSTOMER: A. O. SMITH
 MODEL: 0443403A
 FRAME: U56J
 PHASES: 1
 HP: 0.75
 VOLTS: 230.0
 HERTZ: 60
 START CAP: 0.00
 RUN CAP: 50.00
 COMMENT3:

DESCRIPTION: 0-SYNC
 BDT: 85.34
 MT: 85.34
 SF: 27.30
 LRT: 10.64
 LRA: 34.95
 PUT: 10.64
 COMMENT1:
 COMMENT2:
 COMMENT4: