

PRODUCT INFORMATION PACKET



Model No: H995
Catalog No: H995

Pool Pump Motor, 5.0 HP, 3 Ph, 60 Hz, 208-230/460 V, 3600 RPM, Y56Y Frame, DP



Regal and Century are trademarks of Regal Rexnord Corporation or one of its affiliated companies.
©2023 Regal Rexnord Corporation, All Rights Reserved. MC017097E





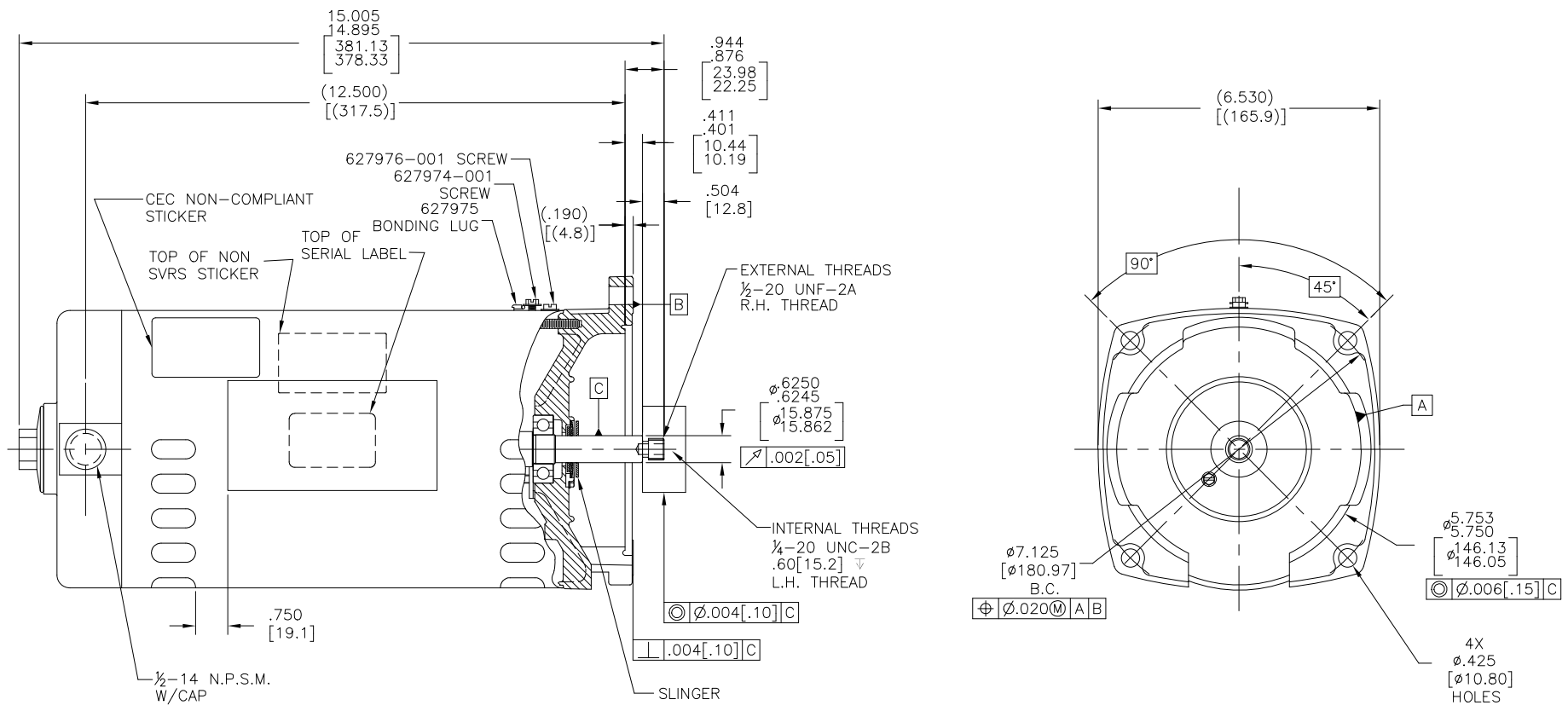
Nameplate Specifications

Output HP	5.0 Hp	Output KW	3.7 kW
Frequency	60 Hz	Voltage	208-230/460 V
Current	13.4-13.4/6.7 A	Speed	3450 rpm
Service Factor	1	Phase	3
Duty	Continuous	Insulation Class	B
Frame	Y56Y	Enclosure	Drip Proof
Thermal Protection	No Protection	Ambient Temperature	40 °C
UL	Recognized	CSA	Y
Number of Speeds	1		

Technical Specifications

Electrical Type	Polyphase, Induction Type, Single Or Dual Voltage	Poles	2
Rotation	Reversible Counterclockwise	Mounting	Round
Motor Orientation	Horizontal	Drive End Bearing	Ball
Opp Drive End Bearing	Ball	Frame Material	Rolled Steel
Shaft Type	1/2 Threaded	Overall Length	14.90 in
Frame Length	10.50 in	Shaft Diameter	0.625 in
Shaft Extension	0.91 in		
Outline Drawing	H995-S01	Connection Drawing	18304024.PCX

This is an uncontrolled document once printed or downloaded and is subject to change without notice. Date Created:04/10/2023



NAMEPLATE DATA	EXTERNAL CONNECTION DIAGRAM	NOTES
MODEL: 184093 CUST PN: H995 HP: 5.0 SF: 1.00 ROT: RCC RPM: 3450 TYPE: SC CODE: K FORM: - FRAME: Y 56 Y VOLTS: 208-230/460 AMPS: 13.4-13.4/6.7 MAX AMPS: - SF AMPS: - PH: 3 HZ: 60 INS: B AMB: 40°C DUTY: CONT ENCLOSURE: ODP		<ol style="list-style-type: none"> FOR THREADED SHAFT EXT. ECCENTRICITY OF THREADED PORTION OF SHAFT IS HELD WITHIN .004[.10] TOTAL GAGE READING WITH THE INDICATOR ON O.D. OF GROUND RING GAGE AS SHOWN. THE GAGE BEING STATIONARY WITH RESPECT TO THE ROTOR. END PLAY NOT TO EXCEED .010[.25] MEASURED WITH NO THRUST. ALL DIMENSIONS SHOWN IN PARENTHESIS ARE REFERENCE DIMENSIONS. FINISH PAINT TO BE BLACK. MEET THE REQUIREMENT OF RoHS : IEC62321 LATEST VERSION, EUROPEAN UNION RoHS LATEST VERSION, REACH LATEST VERSION, USA CALIFORNIA 65 LAW LATEST VERSION.

PERFORMANCE CURVE	APPROVED SAMPLE		
16333521	-		
UL COMPONENT	CSA		
FILE#	CCN#	FILE#	GUIDE#
E4454A	PRGYZ	LR4642	4211-01
CUSTOMER	PENTAIR POOL		

DRAWING REVISION	REVISION BY	DATE	TOLERANCES UNLESS OTHERWISE SPECIFIED	DRAWN BY:	
F	GAUTHAM	04-04-2023	DEC. INCH mm ANGLE	CHERRY Z	
ECR-0224661	APPROVED BY	DATE	.XX ±0.02 [±0.51]	DATE:	11-15-2010
ECO DESCRIPTION	GAUTHAM	04-04-2023	.XXX ±0.005 [±0.127]	APPROVED BY:	BAOCHENG.S
REUPLOADING FOR CLEARER VIEW			XXXX ±0.0005 [±0.0127]	DATE:	11-15-2010
<small>COPYRIGHT REGAL BELOIT AMERICA, INC. ALL RIGHTS RESERVED. PROPRIETARY AND CONFIDENTIAL INFORMATION - THIS DOCUMENT IS THE PROPERTY OF REGAL BELOIT AMERICA, INC. (OWNER) AND COMPANY OWNER'S PROPRIETARY INFORMATION. ANY PERSON, CORPORATION OR OTHER ENTITY, DUPLICATED, AND/OR USED, EXCEPT BY RECEIVING IT TO AGREE THAT IT, AND/OR ANY PART OF IT, SHALL NOT BE DISCLOSED TO ANY PERSON, CORPORATION OR OTHER ENTITY, DUPLICATED, AND/OR USED, EXCEPT AS EXPRESSLY APPROVED IN WRITING IN ADVANCE BY OWNER. THIS DOCUMENT SHALL BE RETURNED TO OWNER UPON REQUEST. IT MAY BE SUBJECT TO CERTAIN RESTRICTIONS UNDER APPLICABLE EXPORT CONTROL LAWS AND REGULATIONS.</small>			REMOVE BURRS & BREAK SHARP EDGES .003/.015 [0.076/.381] X 45° CORNER FILLETS R.02 [5.1] MACHINED SURFACES .125/ mm 3/2 mm SHOWN IN [BRACKETS]	REFERENCE MATERIAL PROCESS/FINISH THIRD ANGLE PROJECTION	DESCRIPTION MODEL-CFHP-56FR OUTLINE
SIZE DWG NO		H995		SHEET 1	