

PRODUCT INFORMATION PACKET



Model No: H741

Catalog No: H741

Pool Pump Motor, 3.0 HP, 3 Ph, 60 Hz, 208-230/460 V, 3600 RPM, N56J Frame, DP



Regal and Century are trademarks of Regal Rexnord Corporation or one of its affiliated companies.

©2023 Regal Rexnord Corporation, All Rights Reserved. MC017097E





Nameplate Specifications

Output HP	3.0 Hp	Output KW	2.2 kW
Frequency	60 Hz	Voltage	208-230/460 V
Current	9.0-8.6/4.3 A	Speed	3450 rpm
Service Factor	1.15	Phase	3
Duty	Continuous	Insulation Class	B
Frame	N56J	Enclosure	Drip Proof
Thermal Protection	No Protection	Ambient Temperature	40 °C
UL	Recognized	CSA	Y
Number of Speeds	1		

Technical Specifications

Electrical Type	Polyphase, Induction Type, Single Or Dual Voltage	Poles	2
Rotation	Reversible Counterclockwise	Mounting	Round
Motor Orientation	Horizontal	Drive End Bearing	Ball
Opp Drive End Bearing	Ball	Frame Material	Rolled Steel
Shaft Type	7/16 Threaded	Overall Length	13.12 in
Frame Length	7.25 in	Shaft Diameter	0.625 in
Shaft Extension	2.604 in		
Outline Drawing	H741-S01	Connection Drawing	18304024.PCX

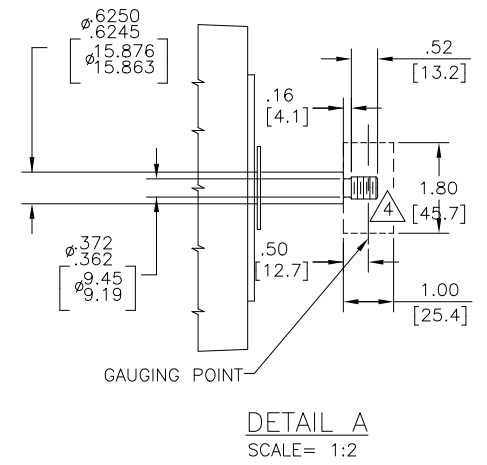
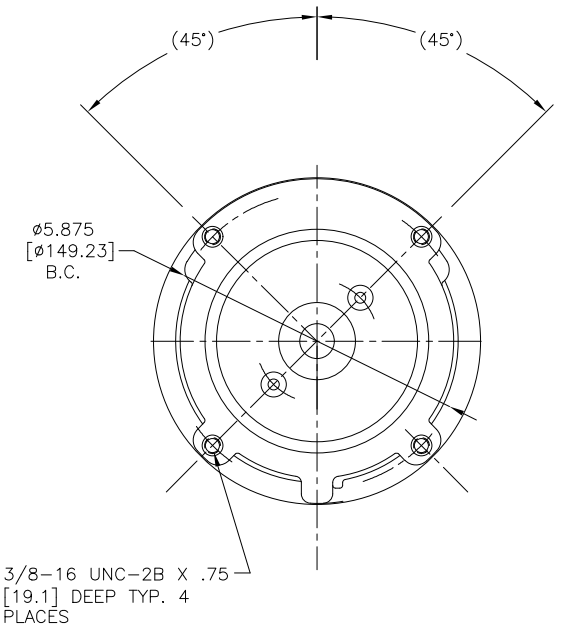
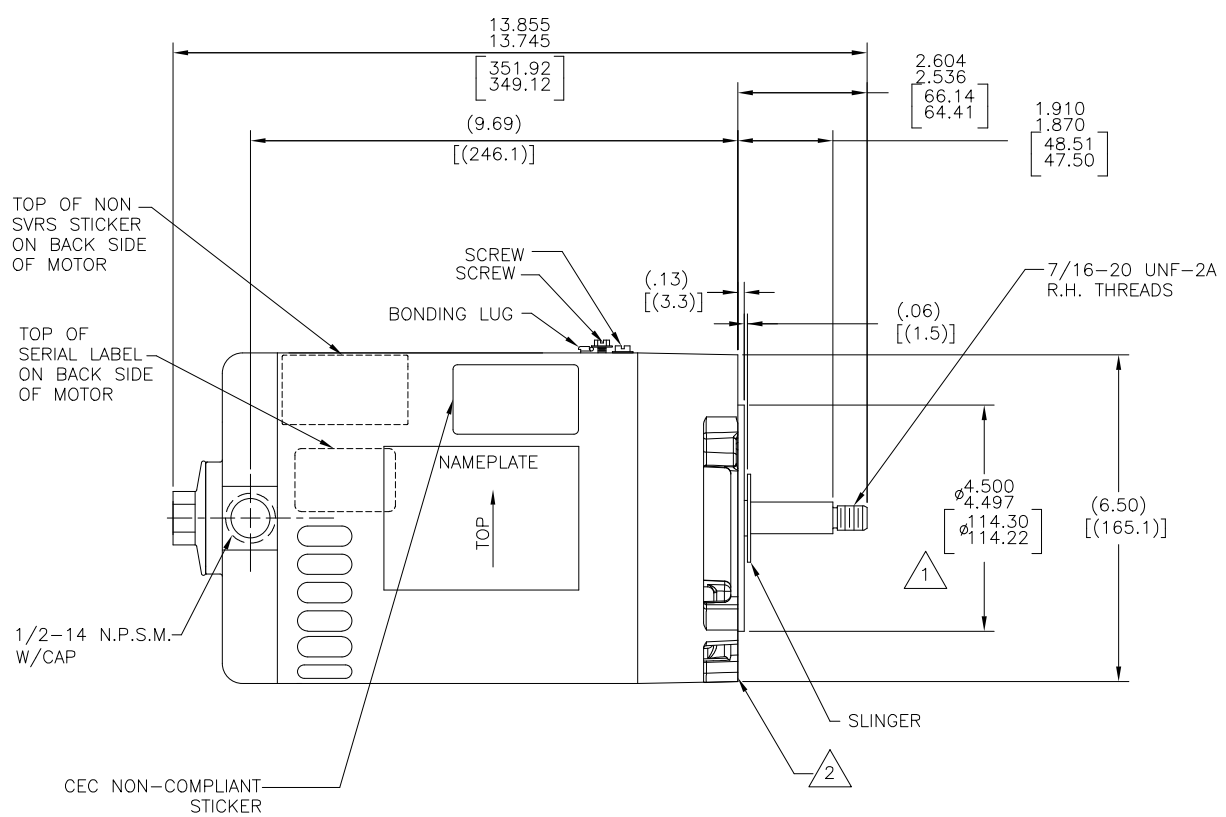
This is an uncontrolled document once printed or downloaded and is subject to change without notice. Date Created:02/16/2023

D

C

B

A



NAMEPLATE DATA	EXTERNAL CONNECTION DIAGRAM	NOTES																														
MODEL: MODEL CUST PN: CUST-PN: HP: HP SF: SF ROT: ROT RPM: RPM TYPE: TYPE FORM: FORM CODE: CODE FRAME: FRAME VOLTS: VOLTS AMPS: AMPS MAX AMPS: MAX-AMPS SF AMPS: SF-AMPS PH: PH HZ: HZ INS: INS AMB: AMB DUTY: DUTY ENCLOSURE: ENCLOSURE THERMALLY-PROTECTED	<p>183040-24</p> <table border="0"> <tr> <td>LOW VOLTAGE</td> <td>TO REVERSE, INTER-CHANGE ANY TWO LEADS.</td> <td>HIGH VOLTAGE</td> </tr> <tr> <td>4-BROWN</td> <td>4-BROWN</td> <td>7-PURPLE</td> </tr> <tr> <td>5-ORANGE</td> <td>5-ORANGE</td> <td>8-GRAY</td> </tr> <tr> <td>6-BLACK</td> <td>6-BLACK</td> <td>9-PINK</td> </tr> <tr> <td>1-RED</td> <td>1-RED</td> <td>2-WHITE</td> </tr> <tr> <td>7-PURPLE</td> <td>7-PURPLE</td> <td>3-BLUE</td> </tr> <tr> <td>2-WHITE</td> <td>2-WHITE</td> <td></td> </tr> <tr> <td>8-GRAY</td> <td>8-GRAY</td> <td></td> </tr> <tr> <td>3-BLUE</td> <td>3-BLUE</td> <td></td> </tr> <tr> <td>9-PINK</td> <td>9-PINK</td> <td></td> </tr> </table>	LOW VOLTAGE	TO REVERSE, INTER-CHANGE ANY TWO LEADS.	HIGH VOLTAGE	4-BROWN	4-BROWN	7-PURPLE	5-ORANGE	5-ORANGE	8-GRAY	6-BLACK	6-BLACK	9-PINK	1-RED	1-RED	2-WHITE	7-PURPLE	7-PURPLE	3-BLUE	2-WHITE	2-WHITE		8-GRAY	8-GRAY		3-BLUE	3-BLUE		9-PINK	9-PINK		<p>1. PILOT DIAMETER IS CONCENTRIC WITH SHAFT CENTERLINE WITHIN .004 T.I.R.</p> <p>2. FACE OF MOUNTING FLANGE IS PERPENDICULAR TO SHAFT CENTERLINE WITHIN .004 T.I.R.</p> <p>3. SHAFT RUNOUT NOT TO EXCEED .002 T.I.R.</p> <p>4. END PLAY NOT TO EXCEED .010 MEASURED WITH NO THRUST</p> <p>5. ALL DIMENSIONS SHOWN IN PARENTHESIS ARE REFERENCE DIMENSIONS</p>
LOW VOLTAGE	TO REVERSE, INTER-CHANGE ANY TWO LEADS.	HIGH VOLTAGE																														
4-BROWN	4-BROWN	7-PURPLE																														
5-ORANGE	5-ORANGE	8-GRAY																														
6-BLACK	6-BLACK	9-PINK																														
1-RED	1-RED	2-WHITE																														
7-PURPLE	7-PURPLE	3-BLUE																														
2-WHITE	2-WHITE																															
8-GRAY	8-GRAY																															
3-BLUE	3-BLUE																															
9-PINK	9-PINK																															

PERFORMANCE CURVE	APPROVED SAMPLE		
PERFORMANCE-CURVE	APPROVED-SAMPLE		
UL COMPONENT	CSA		
FILE#	CCN#	FILE#	GUIDE#
FILE#	CCN#	FILE#	GUIDE#
CUSTOMER	CUSTOMER		

DRAWING REVISION: J	REVISION BY: RAJESH	DATE: 2/1/2023	TOLERANCES UNLESS OTHERWISE SPECIFIED	DRAWN BY: KHR	
ECR-0223494	APPROVED BY: PVR	DATE: 2/1/2023	DEC. INCH mm ANGLE	DATE: 08-29-2005	
CAPACITOR HOUSING REMOVED			.X ±0.1 [±2.5] ±0.5°	APPROVED BY: TDT	DESCRIPTION: MODEL-CFHP-56FR OUTLINE
COPYRIGHT REGAL BELOIT AMERICA, INC. ALL RIGHTS RESERVED. PROPRIETARY AND CONFIDENTIAL INFORMATION - THIS DOCUMENT IS THE PROPERTY OF REGAL BELOIT AMERICA, INC. (OWNER) AND CONTAINS OWNER'S PROPRIETARY INFORMATION. ANY REPRODUCTION OR OTHER FIRM RECEIVING IT IS DENIED. BY RECEIVING IT, TO AGREE THAT IT, AND/OR ANY PART OF IT, SHALL NOT BE DISCLOSED TO ANY PERSON, CORPORATION OR OTHER ENTITY, DUPLICATED, AND/OR USED, EXCEPT AS EXPRESSLY APPROVED IN WRITING IN ADVANCE BY OWNER. THIS DOCUMENT SHALL BE RETURNED TO OWNER UPON REQUEST. IT MAY BE SUBJECT TO CERTAIN RESTRICTIONS UNDER APPLICABLE EXPORT CONTROL LAWS AND REGULATIONS.			.XX ±0.02 [±0.51]	DATE: 07-29-2006	MATERIAL: _____ PROCESS/FINISH: _____
			.XXX ±0.005 [±0.127]	REFERENCE: _____	SIZE: _____ DWG NO: H741 SHEET: 1
			.XXXX ±0.0005 [±0.0127]	THIRD ANGLE PROJECTION	
			REMOVE BURRS & BREAK SHARP EDGES .003/.015 [0.076/.381]		
			CORNER FILLETS .02 [51]		
			MACHINED SURFACES 125 INCH/mm 3/2		
			mm SHOWN IN [BRACKETS]		