

PRODUCT INFORMATION PACKET



Model No: H283
Catalog No: H283

General Purpose Pump Motor, 1/2 HP, 3 Ph, 60 Hz, 200-230/460 V, 3600 RPM, Y56J Frame, TENV



Regal and Century are trademarks of Regal Rexnord Corporation or one of its affiliated companies.
©2022 Regal Rexnord Corporation, All Rights Reserved. MC017097E





Nameplate Specifications

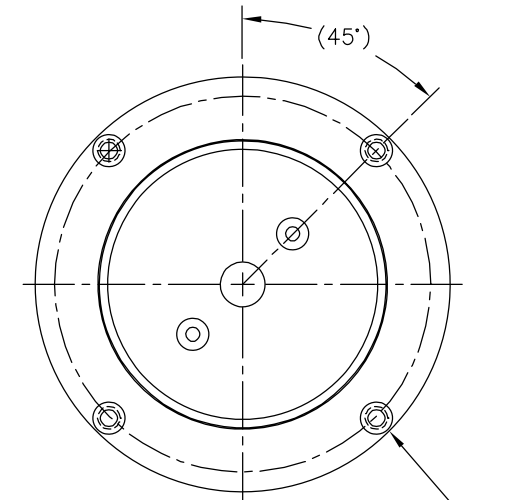
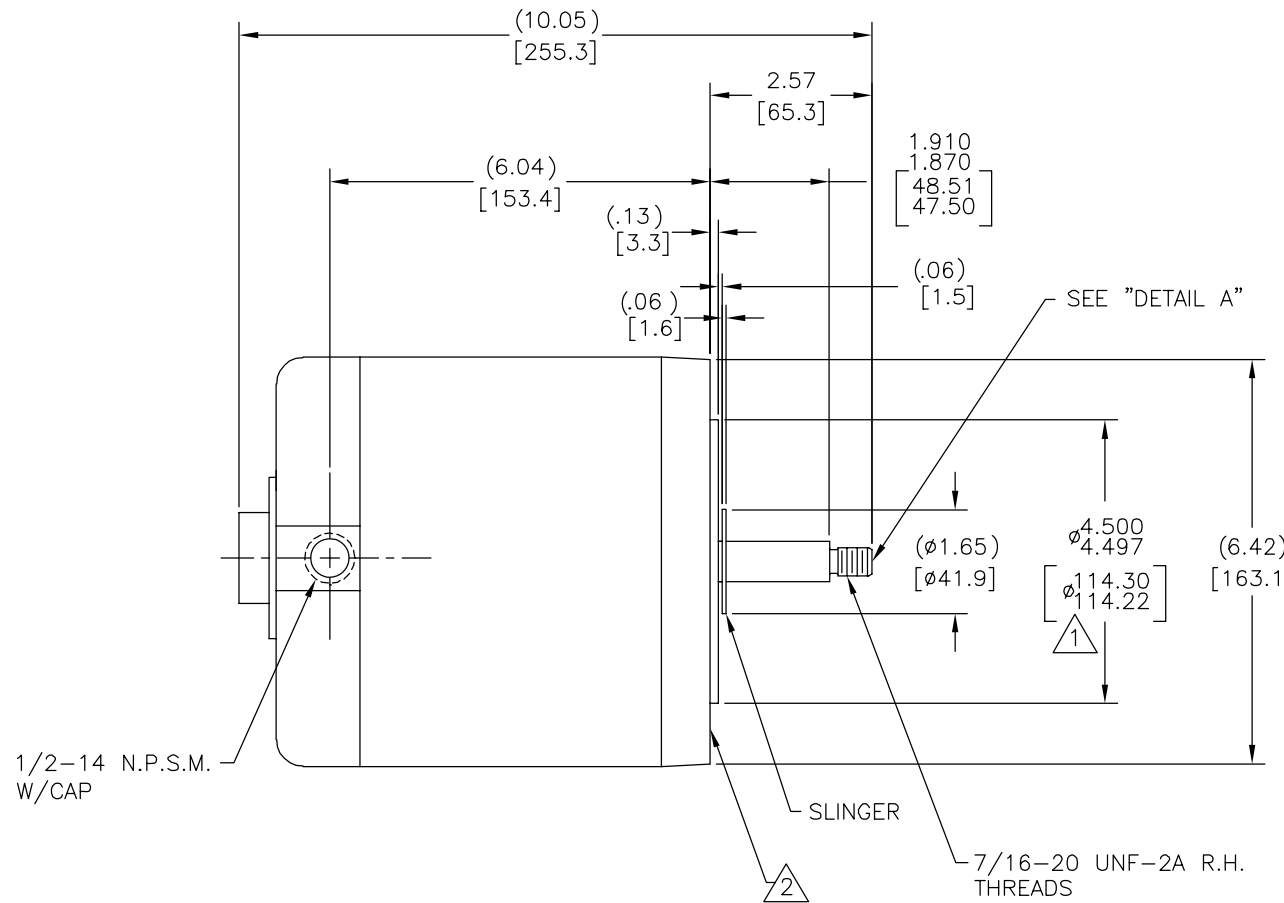
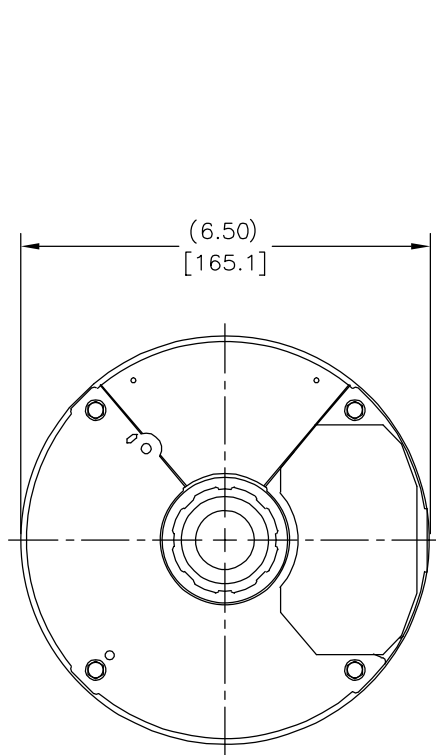
Output HP	1/2 Hp	Output KW	0.37 kW
Frequency	60 Hz	Voltage	200-230/460 V
Current	1.9-1.8/.9 A	Speed	3450 rpm
Service Factor	1.15	Phase	3
Duty	Continuous	Insulation Class	B
Frame	Y56J	Enclosure	Totally Enclosed Non Ventilated
Thermal Protection	No Protection	Ambient Temperature	40 °C
UL	Recognized	CSA	Y
CE	N	Number of Speeds	1

Technical Specifications

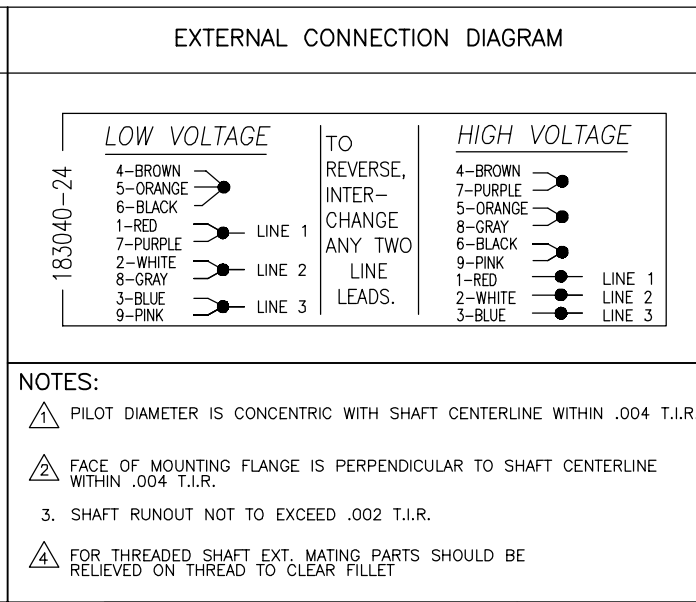
Electrical Type	Polyphase, Induction Type, Single Or Dual Voltage	Starting Method	Across The Line
Poles	2	Rotation	Reversible Clockwise
Mounting	Round	Drive End Bearing	Ball
Opp Drive End Bearing	Ball	Frame Material	Rolled Steel
Shaft Type	Threaded	Overall Length	10.05 in
Frame Length	4.50 in	Shaft Diameter	0.625 in
Shaft Extension	2.57 in		
Outline Drawing	12696-001	Connection Drawing	18304024.PCX

This is an uncontrolled document once printed or downloaded and is subject to change without notice. Date Created:12/14/2022

REV	ECO	REV BY	DATE	APPD	DATE
C	0025551	A. ARREOLA	04-30-2012	D. BALDERRAMA	04-30-2012



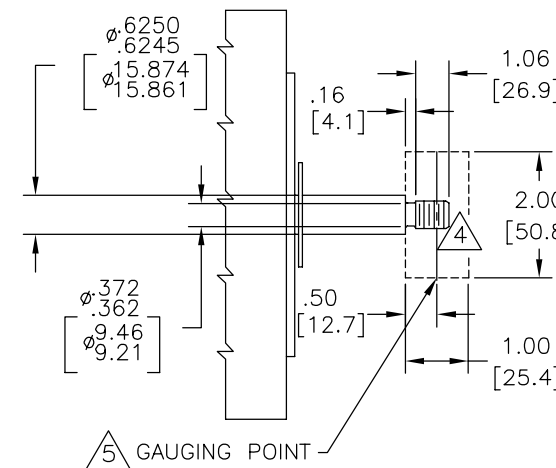
NAMEPLATE DATA
MODEL: 135807 CUST. P/N: H283 HP: 1/2 SF: 1.15 ROT: RCW RPM: 3450 TYPE: SC CODE: L FRAME: Y 56 J VOLTS: 200-230/460 AMPS: 1.9-1.8/.9 MAX AMPS: PH: 3 HZ: 60 INS: B AMB: 40°C DUTY: CONT



PERFORMANCE CURVE NO.		APPROVED SAMPLE OR REF. MODEL	
16304523			
UL COMPONENT		CSA	
FILE#	CCN#	FILE#	CLASS#
E44549	PRGY2	LR4642	4211-01
ENCLOSURE: TENV		CUSTOMER: DISTRIBUTION	

NOTES:

- 5. FOR THREADER SHAFT EXT. (56J) ECCENTRICITY OF THREADED PORTION OF SHAFT IS HELD WITHIN .004 TOTAL GAGE READING WITH THE INDICATOR ON O.D. OF GROUND RING AS SHOWN. THE GAGE BEING STATIONARY WITH RESPECT TO THE ROTOR.
- 6. DEPTH OF HOLES IN MOUNTING FLANGE ARE .75 [19.1] FOR ALUMINUM .63 [16.0] FOR CAST IRON
- 7. END PLAY NOT TO EXCEED .010 MEASURED WITH NO THRUST
- 8. ALL DIMENSIONS SHOWN IN PARENTHESIS ARE REFERENCE DIMENSIONS.



DETAIL A
SCALE= 1:2

GEOMETRIC CHARACTERISTICS & SYMBOLS
□ FLATNESS — STRAIGHTNESS ∠ ANGULARITY ⊥ PERPENDICULARITY (SQUARENESS) ∥ PARALLELISM ○ ROUNDNESS (CIRCULARITY) ∅ CYLINDRICITY △ PROFILE OF ANY SURFACE ∩ PROFILE OF ANY LINE ↗ RUNOUT ⊕ TRUE POSITION ⊙ CONCENTRICITY = SYMMETRY

ASME Y14.5M 1994

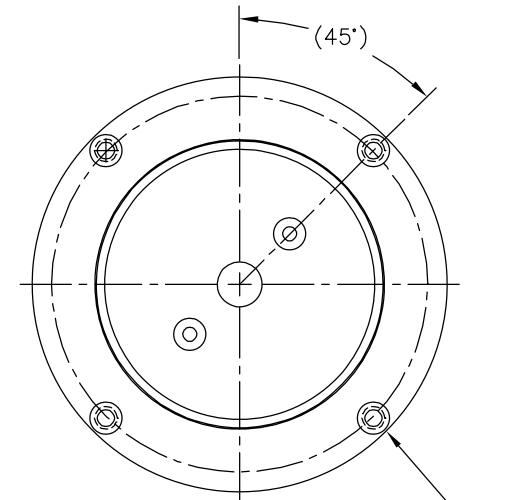
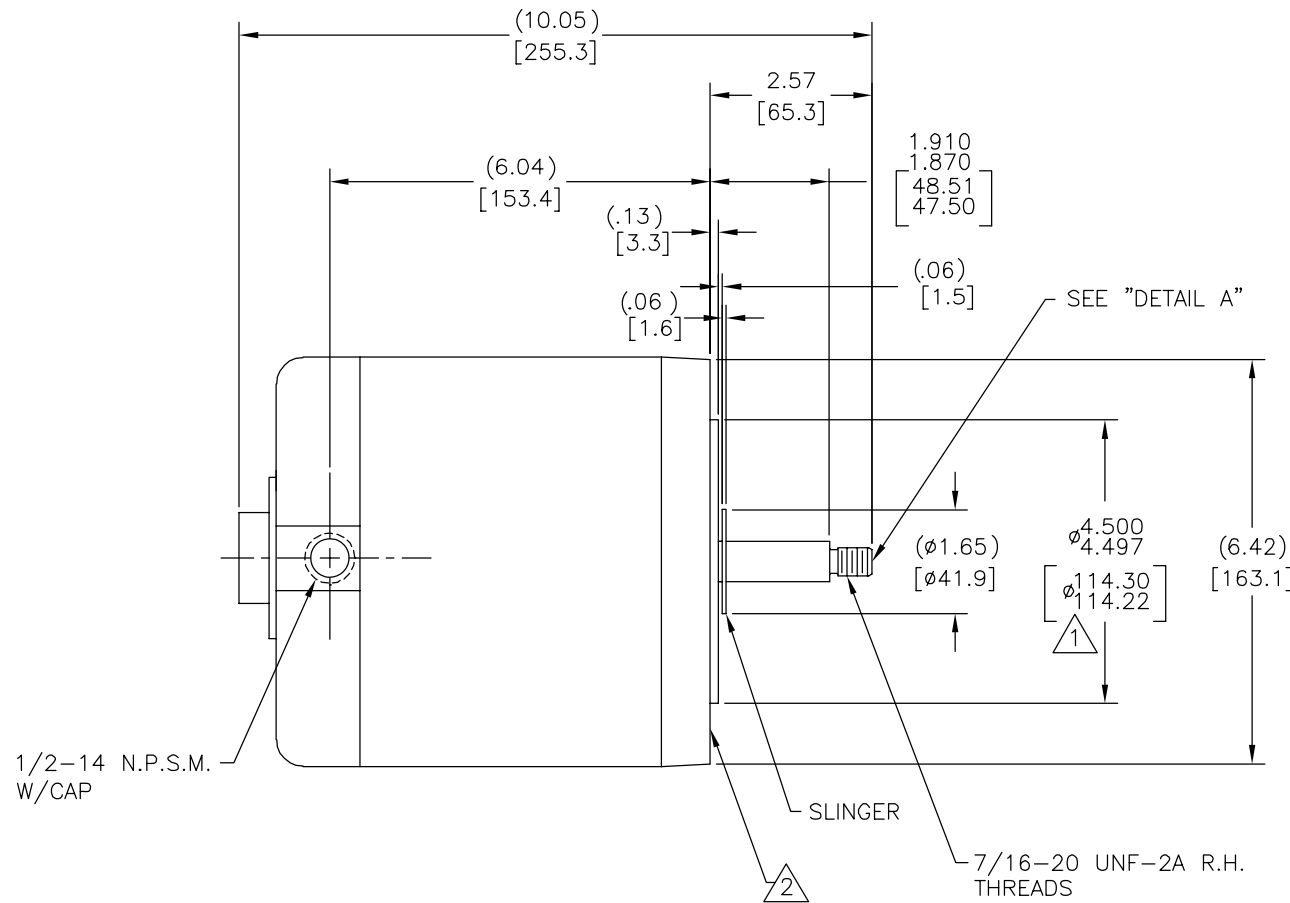
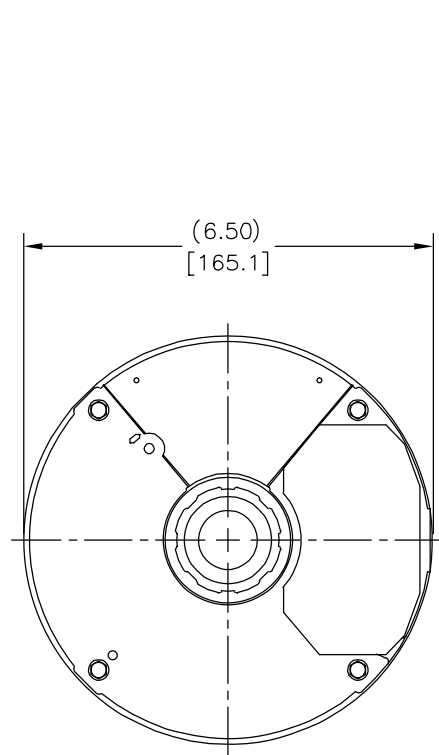
REGAL-BELOIT CORPORATION (RBC) PROVIDES TECHNICAL ASSISTANCE TO OUR CUSTOMERS IN SEVERAL AREAS. SINCE RBC DOES NOT RECEIVE ALL DATA CONCERNING THE USE AND APPLICATION OF THE MOTOR, THE SUITABILITY OF THE MOTOR FOR THE APPLICATION MUST BE DETERMINED BY THE CUSTOMER.

DIMENSIONS WITHOUT TOLERANCES ARE FOR REFERENCE ONLY.

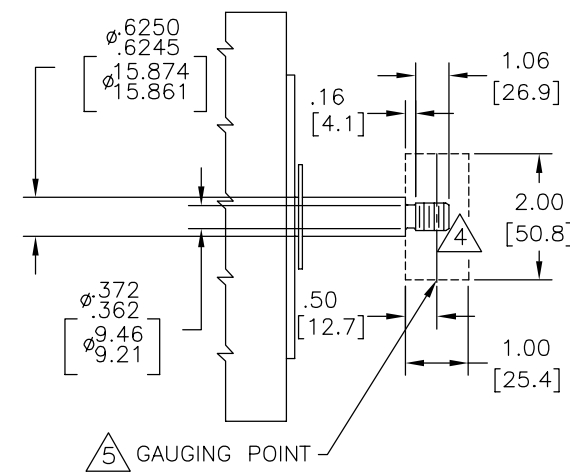
DR BY: KHR	09-13-2005
APPD:	
THIRD ANGLE PROJECTION	EDS DATE 11-11-2011 FORMAT REV G
CONFIDENTIAL: THIS DRAWING AND ITS INFORMATION ARE THE EXCLUSIVE AND CONFIDENTIAL PROPERTY OF REGAL-BELOIT CORPORATION AND ARE NOT TO BE DISCLOSED, DUPLICATED, DISTRIBUTED OR OTHERWISE USED WITHOUT THE WRITTEN CONSENT OF REGAL-BELOIT CORPORATION. -ALL RIGHTS RESERVED.	

DESCRIPTION	
MODEL-CFHP-56FR OUTLINE	
SIZE C	DWG NO 12696-001
SCALE NONE	SHEET 1

REVISION:	ECO	REVISADO POR:	FECHA:	APROBADO POR:	FECHA:
C	0025551	A. ARREOLA	04-30-2012	D. BALDERRAMA	04-30-2012



(6) 3/8-16 UNC 2B (4) HOLES EQUALLY SPACED ON A (5.875) [149.23] B.C.



DETAIL A
SCALE= 1:2

NAMEPLATE DATA	EXTERNAL CONNECTION DIAGRAM	PERFORMANCE CURVE NO.	APPROVED SAMPLE OR REF. MODEL																
MODEL: 135807 CUST. P/N: H283 HP: 1/2 SF: 1.15 ROT: RCW RPM: 3450 TYPE: SC CODE: L FRAME: Y 56 J VOLTS: 200-230/460 AMPS: 1.9-1.8/.9 MAX AMPS: PH: 3 HZ: 60 INS: B AMB: 40°C DUTY: CONT	<table border="1"> <tr> <th>LOW VOLTAGE</th> <th>TO</th> <th>HIGH VOLTAGE</th> </tr> <tr> <td> 4-BROWN 5-ORANGE 6-BLACK 1-RED 7-PURPLE 2-WHITE 8-GRAY 9-PINK </td> <td> REVERSE, INTER- CHANGE ANY TWO LINE LEADS. </td> <td> 4-BROWN 7-PURPLE 5-ORANGE 8-GRAY 6-BLACK 9-PINK 1-RED 2-WHITE 3-BLUE </td> </tr> <tr> <td> LINE 1 LINE 2 LINE 3 </td> <td></td> <td> LINE 1 LINE 2 LINE 3 </td> </tr> </table> <p>NOTES: (1) PILOT DIAMETER IS CONCENTRIC WITH SHAFT CENTERLINE WITHIN .004 T.I.R. (2) FACE OF MOUNTING FLANGE IS PERPENDICULAR TO SHAFT CENTERLINE WITHIN .004 T.I.R. 3. SHAFT RUNOUT NOT TO EXCEED .002 T.I.R. (4) FOR THREADED SHAFT EXT. MATING PARTS SHOULD BE RELIEVED ON THREAD TO CLEAR FILLET</p>	LOW VOLTAGE	TO	HIGH VOLTAGE	4-BROWN 5-ORANGE 6-BLACK 1-RED 7-PURPLE 2-WHITE 8-GRAY 9-PINK	REVERSE, INTER- CHANGE ANY TWO LINE LEADS.	4-BROWN 7-PURPLE 5-ORANGE 8-GRAY 6-BLACK 9-PINK 1-RED 2-WHITE 3-BLUE	LINE 1 LINE 2 LINE 3		LINE 1 LINE 2 LINE 3	16304523 UL COMPONENT <table border="1"> <tr> <th>FILE#</th> <th>CCN#</th> <th>FILE#</th> <th>CLASS#</th> </tr> <tr> <td>E44549</td> <td>PRGY2</td> <td>LR4642</td> <td>4211-01</td> </tr> </table> ENCLOSURE: TENV CUSTOMER: DISTRIBUTION	FILE#	CCN#	FILE#	CLASS#	E44549	PRGY2	LR4642	4211-01
LOW VOLTAGE	TO	HIGH VOLTAGE																	
4-BROWN 5-ORANGE 6-BLACK 1-RED 7-PURPLE 2-WHITE 8-GRAY 9-PINK	REVERSE, INTER- CHANGE ANY TWO LINE LEADS.	4-BROWN 7-PURPLE 5-ORANGE 8-GRAY 6-BLACK 9-PINK 1-RED 2-WHITE 3-BLUE																	
LINE 1 LINE 2 LINE 3		LINE 1 LINE 2 LINE 3																	
FILE#	CCN#	FILE#	CLASS#																
E44549	PRGY2	LR4642	4211-01																

CARACTERISTICAS DE GEOMETRIA Y SIMBOLOS
□ PLANICIDAD — RECTITUD ∠ ANGULARIDAD ⊥ PERPENDICULARIDAD (A ESCUADRA) // PARALELISMO ○ REDONDEZ (CIRCULARIDAD) ∅ CILINDRICIDAD △ PERFIL DE CUALQUIER SUPERFICIE ∩ PERFIL DE CUALQUIER LINEA ∩ VARIACION ⊕ POSICION REAL ⊙ CONCENTRICIDAD = SIMETRIA

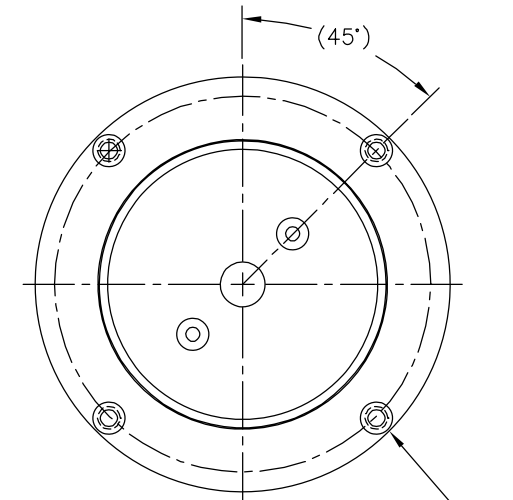
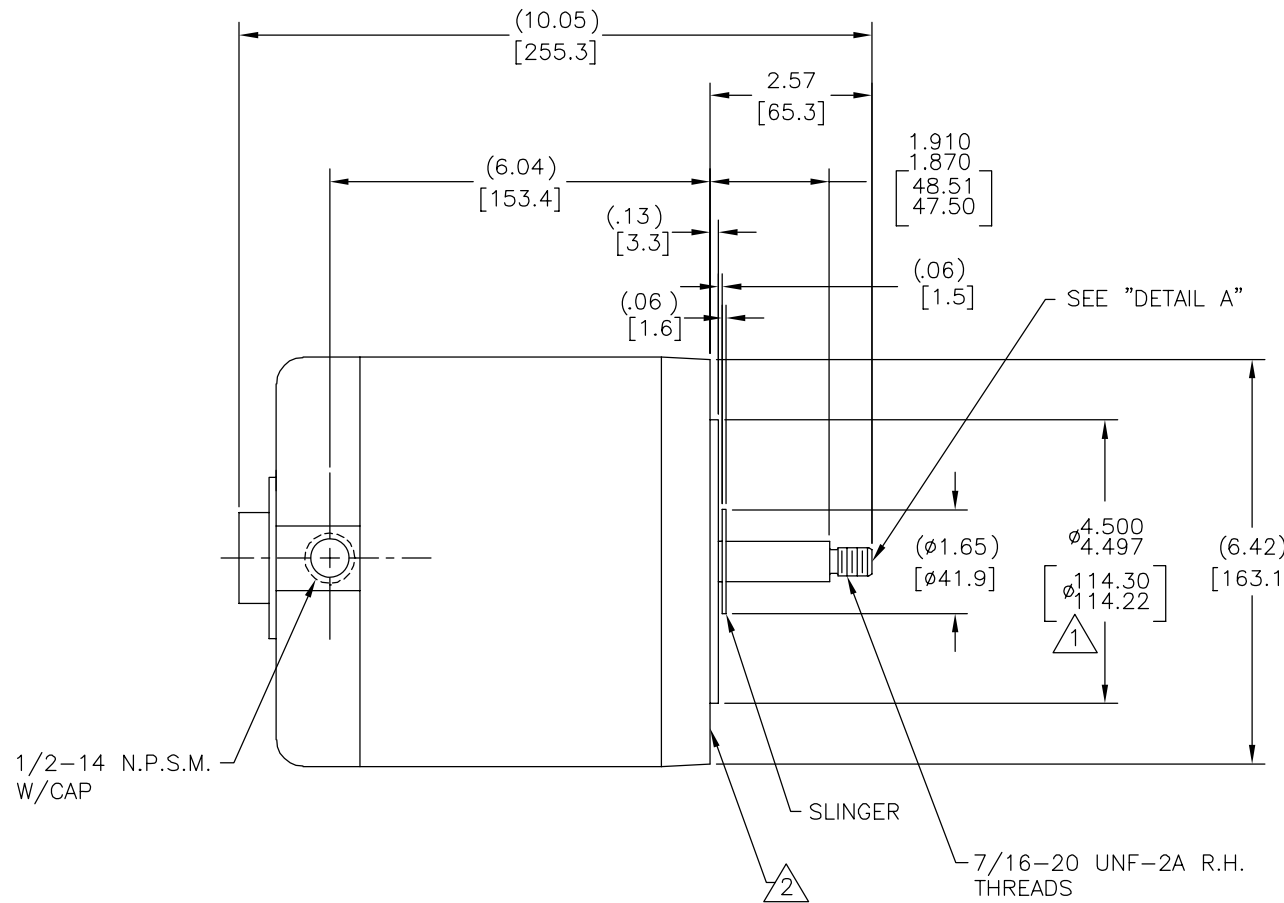
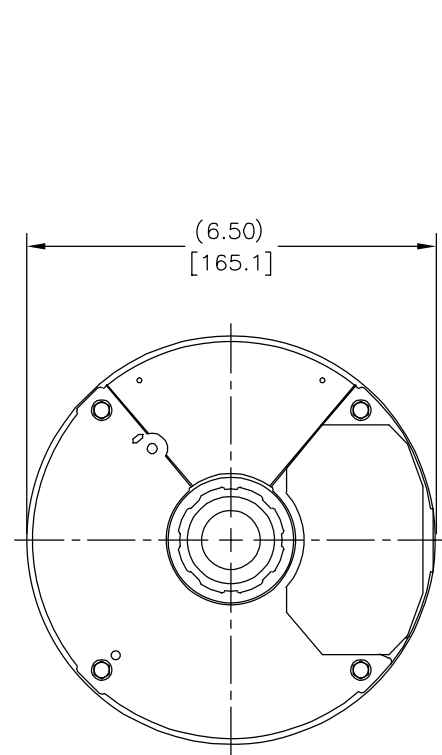
REGAL-BELOIT CORPORATION (RBC) PROVEE ASISTENCIA TECNICA A NUESTROS CLIENTES EN VARIAS AREAS. DESDE QUE RBC NO RECIBE TODOS LOS DATOS EN RELACION AL USO Y A LA APLICACION DEL MOTOR, LA APLICACION ADECUADA DEL MOTOR DEBE SER DETERMINADA POR EL CLIENTE.

DIMENSIONES SIN TOLERANCIA SON DE REFERENCIA SOLAMENTE

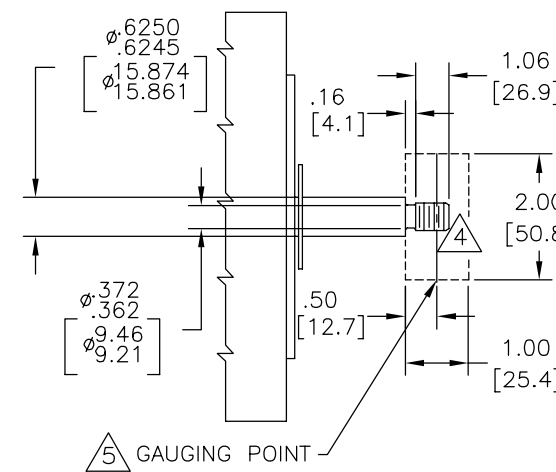
DIBUJADO POR:	KHR	09-13-2005
APROBADO POR:		
TERCER ANGULO DE PROYECCION		FECHA EDS: 11-11-2011 REV. FORMATO: G
CONFIDENCIAL: ESTE DIBUJO Y SU INFORMACION SON PROPIEDAD DE USO EXCLUSIVO Y CONFIDENCIAL DE REGAL-BELOIT CORPORATION. Y NO DEBERAN SER REVELADOS, DUPLICADOS, DISTRIBUIDOS O USARSE DE OTRA MANERA SIN EL CONSENTIMIENTO ESCRITO DE REGAL-BELOIT CORPORATION. -TODOS LOS DERECHOS RESERVADOS.		

DESCRIPCION:	
MODEL-CFHP-56FR OUTLINE	
TAMAÑO: C	NUMERO DE DIBUJO: 12696-001
ESCALA: NONE	HOJA: 1

版本	ECO	编制	日期	批准	日期
C	0025551	A. ARREOLA	04-30-2012	D. BALDERRAMA	04-30-2012



△6 3/8-16 UNC 2B (4) HOLES EQUALLY SPACED ON A (Ø5.875) [Ø149.23] B.C.



DETAIL A
SCALE= 1:2

NAMEPLATE DATA	EXTERNAL CONNECTION DIAGRAM	PERFORMANCE CURVE NO.	APPROVED SAMPLE OR REF. MODEL																																						
MODEL: 135807 CUST. P/N: H283 HP: 1/2 SF: 1.15 ROT: RCW RPM: 3450 TYPE: SC CODE: L FRAME: Y 56 J VOLTS: 200-230/460 AMPS: 1.9-1.8/.9 MAX AMPS: PH: 3 HZ: 60 INS: B AMB: 40°C DUTY: CONT	<p>183040-24</p> <table border="0"> <tr> <td>LOW VOLTAGE</td> <td>TO</td> <td>HIGH VOLTAGE</td> </tr> <tr> <td>4-BROWN</td> <td>REVERSE,</td> <td>4-BROWN</td> </tr> <tr> <td>5-ORANGE</td> <td>INTER-</td> <td>7-PURPLE</td> </tr> <tr> <td>6-BLACK</td> <td>CHANGE</td> <td>5-ORANGE</td> </tr> <tr> <td>1-RED</td> <td>ANY TWO</td> <td>8-GRAY</td> </tr> <tr> <td>7-PURPLE</td> <td>LINE</td> <td>6-BLACK</td> </tr> <tr> <td>2-WHITE</td> <td>LEADS.</td> <td>9-PINK</td> </tr> <tr> <td>8-GRAY</td> <td></td> <td>1-RED</td> </tr> <tr> <td>3-BLUE</td> <td></td> <td>2-WHITE</td> </tr> <tr> <td>9-PINK</td> <td></td> <td>3-BLUE</td> </tr> </table>	LOW VOLTAGE	TO	HIGH VOLTAGE	4-BROWN	REVERSE,	4-BROWN	5-ORANGE	INTER-	7-PURPLE	6-BLACK	CHANGE	5-ORANGE	1-RED	ANY TWO	8-GRAY	7-PURPLE	LINE	6-BLACK	2-WHITE	LEADS.	9-PINK	8-GRAY		1-RED	3-BLUE		2-WHITE	9-PINK		3-BLUE	16304523	UL COMPONENT <table border="1"> <tr> <th>FILE#</th> <th>CCN#</th> <th>FILE#</th> <th>CLASS#</th> </tr> <tr> <td>E44549</td> <td>PRGY2</td> <td>LR4642</td> <td>4211-01</td> </tr> </table> ENCLASURE: TENV CUSTOMER: DISTRIBUTION	FILE#	CCN#	FILE#	CLASS#	E44549	PRGY2	LR4642	4211-01
LOW VOLTAGE	TO	HIGH VOLTAGE																																							
4-BROWN	REVERSE,	4-BROWN																																							
5-ORANGE	INTER-	7-PURPLE																																							
6-BLACK	CHANGE	5-ORANGE																																							
1-RED	ANY TWO	8-GRAY																																							
7-PURPLE	LINE	6-BLACK																																							
2-WHITE	LEADS.	9-PINK																																							
8-GRAY		1-RED																																							
3-BLUE		2-WHITE																																							
9-PINK		3-BLUE																																							
FILE#	CCN#	FILE#	CLASS#																																						
E44549	PRGY2	LR4642	4211-01																																						
NOTES: △1 PILOT DIAMETER IS CONCENTRIC WITH SHAFT CENTERLINE WITHIN .004 T.I.R. △2 FACE OF MOUNTING FLANGE IS PERPENDICULAR TO SHAFT CENTERLINE WITHIN .004 T.I.R. 3. SHAFT RUNOUT NOT TO EXCEED .002 T.I.R. △4 FOR THREADED SHAFT EXT. MATING PARTS SHOULD BE RELIEVED ON THREAD TO CLEAR FILLET		△5 FOR THREADER SHAFT EXT. (56J) ECCENTRICITY OF THREADED PORTION OF SHAFT IS HELD WITHIN .004 TOTAL GAGE READING WITH THE INDICATOR ON O.D. OF GROUND RING AS SHOWN. THE GAGE BEING STATIONARY WITH RESPECT TO THE ROTOR. △6 DEPTH OF HOLES IN MOUNTING FLANGE ARE .75 [19.1] FOR ALUMINUM .63 [16.0] FOR CAST IRON 7. END PLAY NOT TO EXCEED .010 MEASURED WITH NO THRUST 8. ALL DIMENSIONS SHOWN IN PARENTHESIS ARE REFERENCE DIMENSIONS.																																							

- 形位公差
- 平面度
- 直线度
- ∠ 倾斜度
- ⊥ 垂直度
- // 平行度
- 圆度
- ⊘ 圆柱度
- ⊖ 面轮廓度
- ⊖ 线轮廓度
- ↗ 圆跳动
- ⊕ 位置度
- ⊙ 同轴度
- ≡ 对称度

ASME Y14.5M 1994

REGAL-BELOIT CORPORATION (RBC) 在个别领域为客户提供技术支持。鉴于RBC未收到任何涉及电机使用和应用环境的数据，电机的适用性由客户自己决定。

未注公差尺寸仅供参考。

绘图:	KHR	09-13-2005
批准:		
第三角投影		图纸格式发布日期 11-11-2011 图纸格式版本 G
机密: 本图纸及相关信息所有权归REGAL-BELOIT CORPORATION。未经REGAL-BELOIT CORPORATION书面授权, 不得泄露、复制、传播或作其他用途。—版权所有		



名称
MODEL-CFHP-56FR
OUTLINE

图幅	C	图号	12696-001
比例	NONE	页号	1