

PRODUCT INFORMATION PACKET

Model No: 5KCR49PN0095X

Catalog No: E270

.75 HP General Purpose Motor, 1 phase, 1800 RPM, 100-120/200-240 V, 56C Frame, ODP
General Purpose Motors



Regal and Marathon are trademarks of Regal Rexnord Corporation or one of its affiliated companies.

©2021 Regal Rexnord Corporation, All Rights Reserved. MC017097E



Nameplate Specifications

Output HP	0.75 Hp	Output KW	0.56 kW
Frequency	60 Hz	Voltage	100-120/200-240 V
Current	9.0-8.8 A	Speed	1725 rpm
Service Factor	1.25	Phase	1
Efficiency	78.1 %	Power Factor	0
Duty	Continuous	Insulation Class	B
KVA Code	M	Frame	56C
Enclosure	Drip Proof	Thermal Protection	AUTO
Ambient Temperature	40 °C	Drive End Bearing Size	6203
Opp Drive End Bearing Size	6203	UL	Recognized
CSA	Y	CE	N
Number of Speeds	1		

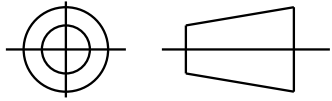
Technical Specifications

Electrical Type	Capacitor Start Capacitor Run(CSCR)	Starting Method	SM
Poles	4	Rotation	Counterclockwise/Clockwise
Mounting	Rigid Base	Motor Orientation	Any
Drive End Bearing	Locked	Opp Drive End Bearing	Ball
Overall Length	11.37 in	Frame Length	7.15 in
Shaft Extension	.625 X 1.88 - .188 X .188 KEY in		
Outline Drawing	52A107779P2	Connection Drawing	52A105383AF

This is an uncontrolled document once printed or downloaded and is subject to change without notice. Date Created:10/11/2021

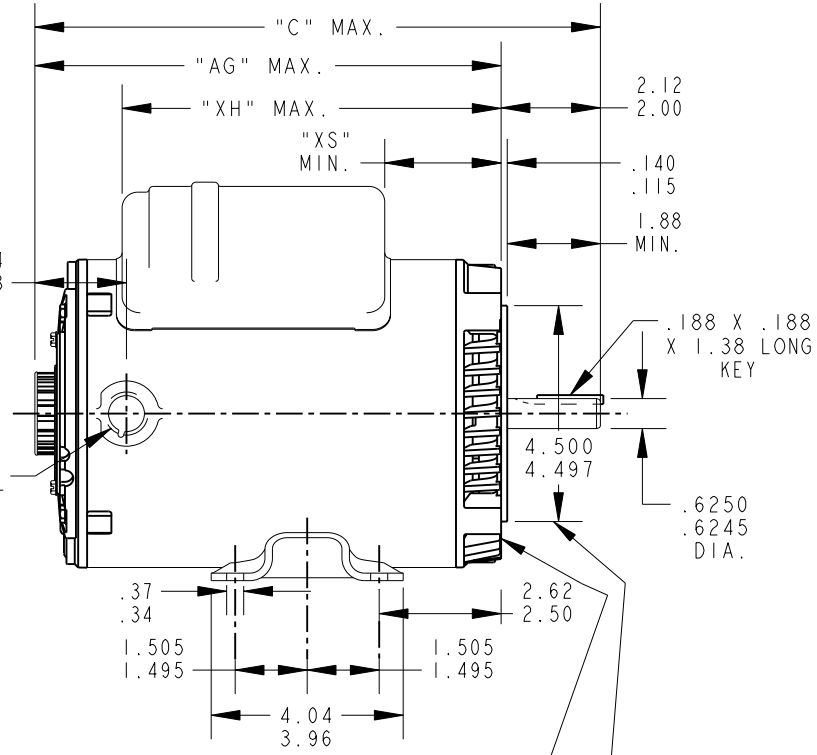
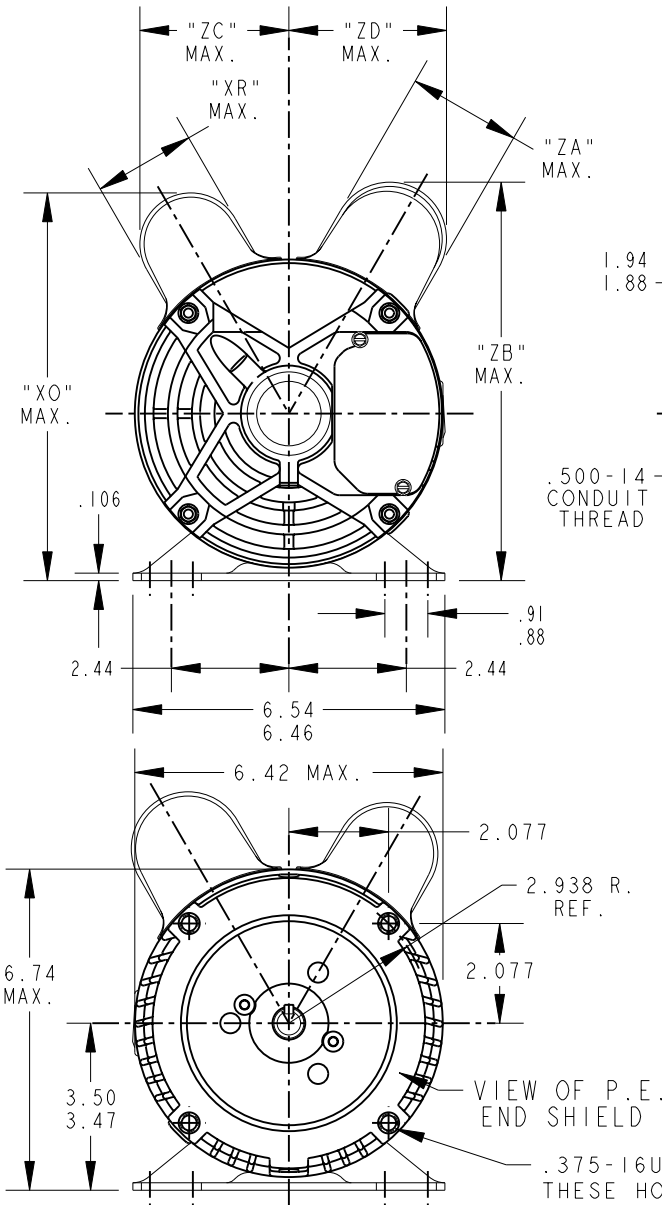
SHEET 1
REV 4
52A107779
SIZE DRAWING NO. A

THIRD ANGLE PROJECTION



REVISIONS

REV.	DESCRIPTION	DATE	APPROVED
4	CHG TO RBC FORMAT PER ISO5-1777	03/02/06	SUDHA



FACE RUNOUT (WITH INDICATOR MOUNTED STATIONARY, RELATIVE TO SHAFT) MUST NOT EXCEED .004 T.I.R.


ECCENTRICITY OF THIS SURFACE (WITH INDICATOR MOUNTED STATIONARY, RELATIVE TO SHAFT) MUST NOT EXCEED .004 T.I.R.

.375-16UNC-2B (4 HOLES) .70 MIN. FULL THREAD. THESE HOLES FIT A GAGE HAVING A RABBIT 4.5005 DIA. AND 4 PINS .2917 DIA. LOCATED ON THE BASIC HOLE POSITIONS.

ALL DIMENSIONS ARE IN INCHES

2	KCR	49	56CY	11.38	9.26	7.54	8.18	2.15	1.79	2.40	8.40	3.20	3.38	7.15
1	KCR	46	56CY	10.78	8.66	6.94	8.18	2.15	1.19	2.40	8.40	3.20	3.38	6.55
P	TYPE	GE SIZE	NEMA FR.	"C"	"AG"	"XH"	"XO"	"XR"	"XS"	"ZA"	"ZB"	"ZC"	"ZD"	MIN. SHELL

	SIGNATURES		DATE
	MODEL	M. D. PAPE	02/27/92
DETAIL	.	.	
CHECKED	.	.	
ENGRG	.	.	
MFG	.	.	
FOR ADDITIONAL INFO REFER TO:	QUALITY	.	.
APPLIED PRACTICES	ISSUED	M. D. PAPE	02/27/92
DIMENSIONS ARE IN INCHES	SOLID MODEL: 52A107779		



REGAL-BELOIT CORPORATION

TITLE

OUTLINE

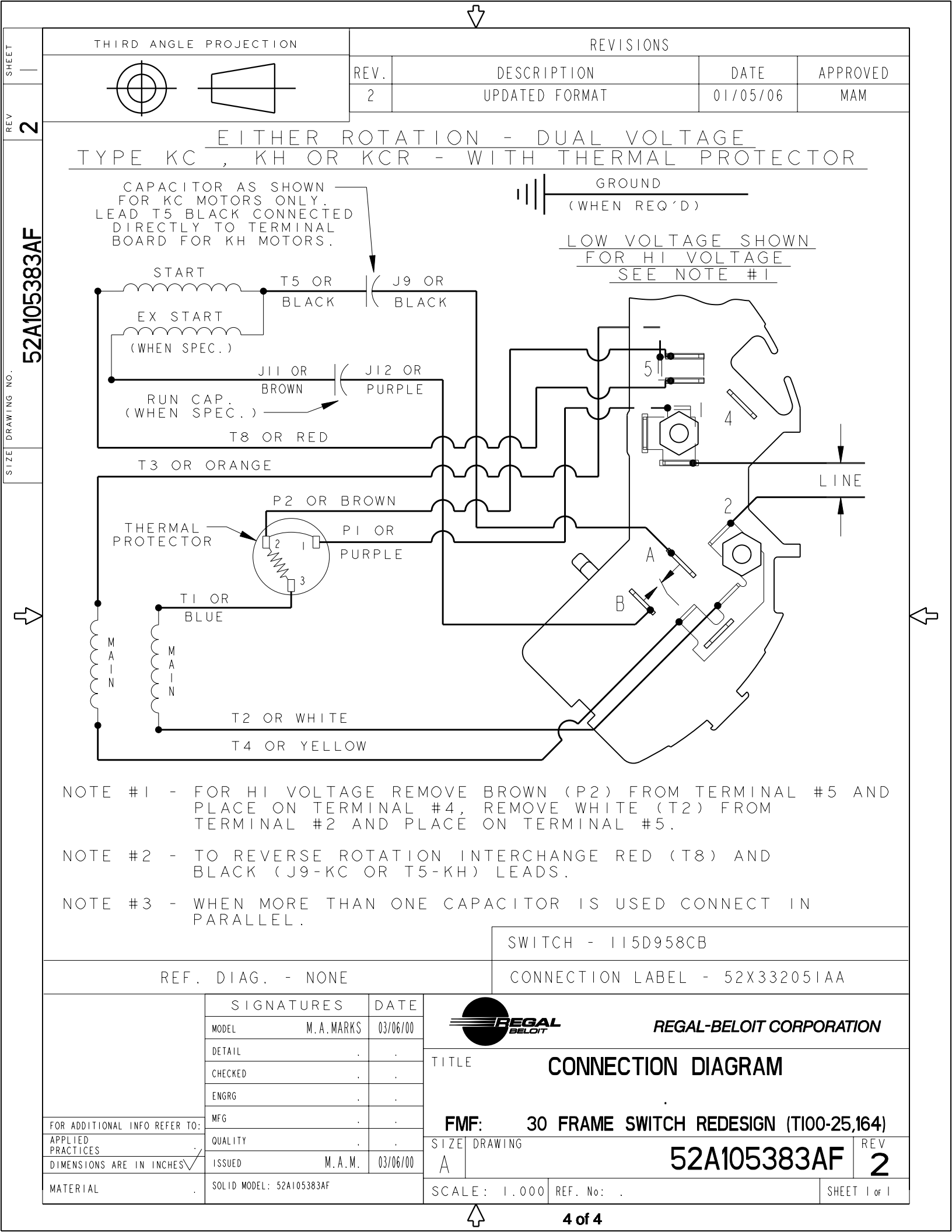
GENERAL PURPOSE MOTOR DRIP PROOF - BALL BEARING

- WELDED BASE R2 END MOUNTED FMF - 5KCR46JN0083Y & 5KCR49PN0095Y

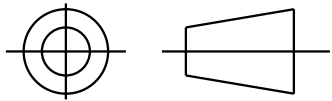
SIZE DRAWING: **A**

SCALE: 0.250 REF. No: . SHEET 1 of 1

52A107779 REV **4**



THIRD ANGLE PROJECTION



REVISIONS

REV.	DESCRIPTION	DATE	APPROVED
2	UPDATED FORMAT	01/05/06	MAM

EITHER ROTATION - DUAL VOLTAGE
TYPE KC, KH OR KCR - WITH THERMAL PROTECTOR

CAPACITOR AS SHOWN FOR KC MOTORS ONLY. LEAD T5 BLACK CONNECTED DIRECTLY TO TERMINAL BOARD FOR KH MOTORS.

GROUND
(WHEN REQ'D)

LOW VOLTAGE SHOWN FOR HI VOLTAGE
SEE NOTE #1

52A105383AF

SIZE DRAWING NO.



NOTE #1 - FOR HI VOLTAGE REMOVE BROWN (P2) FROM TERMINAL #5 AND PLACE ON TERMINAL #4, REMOVE WHITE (T2) FROM TERMINAL #2 AND PLACE ON TERMINAL #5.

NOTE #2 - TO REVERSE ROTATION INTERCHANGE RED (T8) AND BLACK (J9-KC OR T5-KH) LEADS.


NOTE #3 - WHEN MORE THAN ONE CAPACITOR IS USED CONNECT IN PARALLEL.

SWITCH - 115D958CB

REF. DIAG. - NONE

CONNECTION LABEL - 52X332051AA

SIGNATURES		DATE
MODEL	M.A.MARKS	03/06/00
DETAIL	.	.
CHECKED	.	.
ENGRG	.	.
MFG	.	.
QUALITY	.	.
ISSUED	M.A.M.	03/06/00
SOLID MODEL: 52A105383AF		



REGAL-BELOIT CORPORATION

TITLE
CONNECTION DIAGRAM

FMF: 30 FRAME SWITCH REDESIGN (T100-25,164)

SIZE: DRAWING
A

SCALE: 1.000 REF. No: . SHEET 1 of 1

FOR ADDITIONAL INFO REFER TO:
 APPLIED PRACTICES
 DIMENSIONS ARE IN INCHES ✓

