

# PRODUCT INFORMATION PACKET

**marathon**<sup>®</sup>  
Motors

Model No: 445TTFN14086

Catalog No: M926A

125 HP Vertical Solid Shaft P-Base Motor, 3 phase, 1200 RPM, 460 V, 445HPV Frame, TEFC  
Vertical Pump Motors

Regal and Marathon are trademarks of Regal Rexnord Corporation or one of its affiliated companies.  
©2021 Regal Rexnord Corporation, All Rights Reserved. MC017097E

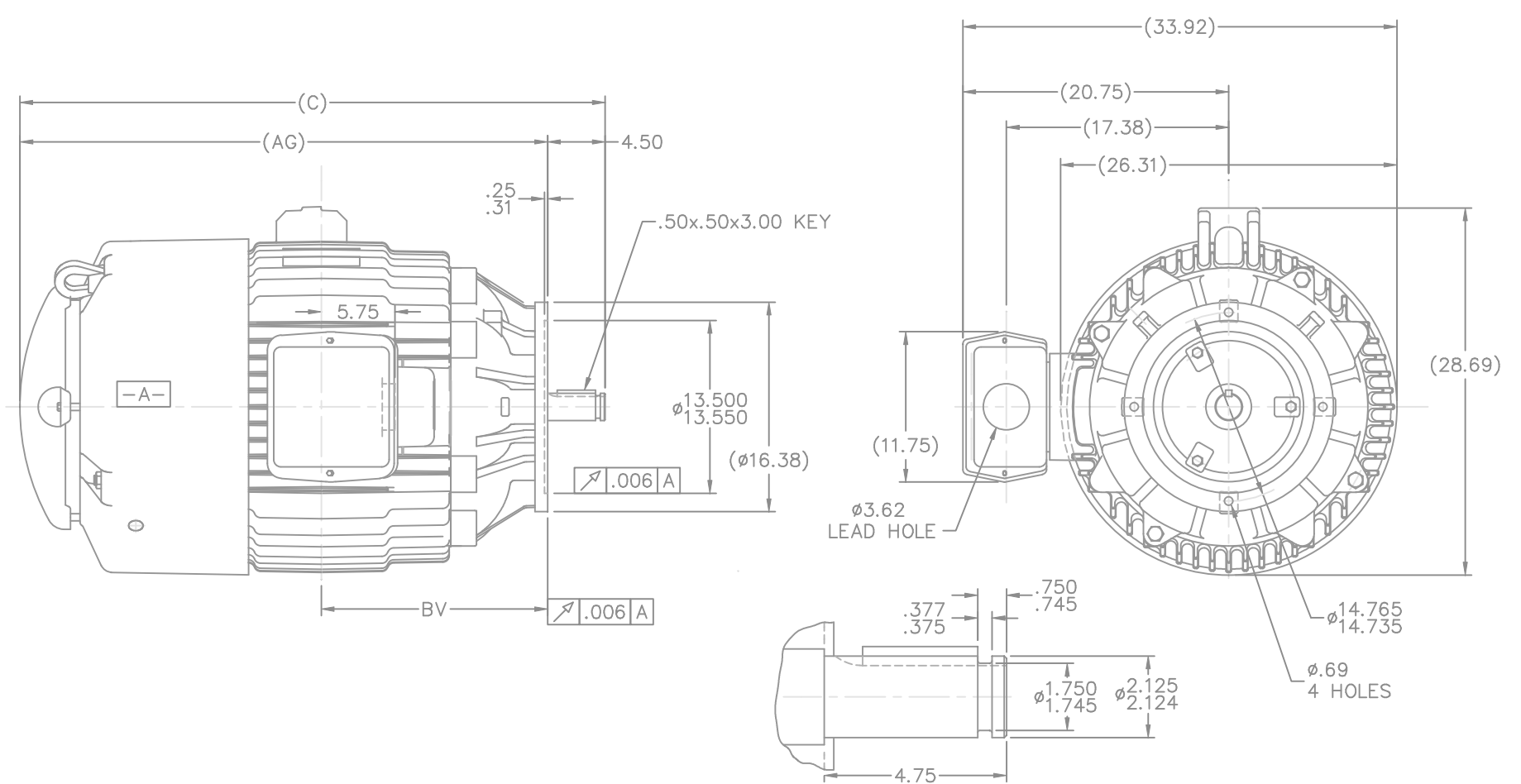
The logo for Regal Rexnord, featuring a stylized 'R' icon followed by the text 'RegalRexnord'.

### Nameplate Specifications

|                        |                   |                            |                                    |
|------------------------|-------------------|----------------------------|------------------------------------|
| Output HP              | <b>125 Hp</b>     | Output KW                  | <b>93.0 kW</b>                     |
| Frequency              | <b>60 Hz</b>      | Voltage                    | <b>460 V</b>                       |
| Current                | <b>152.0 A</b>    | Speed                      | <b>1188 rpm</b>                    |
| Service Factor         | <b>1.15</b>       | Phase                      | <b>3</b>                           |
| Efficiency             | <b>94.5 %</b>     | Power Factor               | <b>82</b>                          |
| Duty                   | <b>Continuous</b> | Insulation Class           | <b>F</b>                           |
| Design Code            | <b>B</b>          | KVA Code                   | <b>G</b>                           |
| Frame                  | <b>445HPV</b>     | Enclosure                  | <b>Totally Enclosed Fan Cooled</b> |
| Thermal Protection     | <b>No</b>         | Ambient Temperature        | <b>40 °C</b>                       |
| Drive End Bearing Size | <b>6313</b>       | Opp Drive End Bearing Size | <b>6316</b>                        |
| UL                     | <b>Recognized</b> | CSA                        | <b>Y</b>                           |
| CE                     | <b>Y</b>          | IP Code                    | <b>43</b>                          |
| Number of Speeds       | <b>1</b>          |                            |                                    |

### Technical Specifications

|                       |                                    |                       |                        |
|-----------------------|------------------------------------|-----------------------|------------------------|
| Electrical Type       | <b>Squirrel Cage Induction Run</b> | Starting Method       | <b>Across The Line</b> |
| Poles                 | <b>6</b>                           | Rotation              | <b>Reversible</b>      |
| Resistance Main       | <b>.042 Ohms</b>                   | Mounting              | <b>Round</b>           |
| Motor Orientation     | <b>Shaft Down</b>                  | Drive End Bearing     | <b>Ball</b>            |
| Opp Drive End Bearing | <b>Ball</b>                        | Frame Material        | <b>Cast Iron</b>       |
| Shaft Type            | <b>HP</b>                          | Overall Length        | <b>43.50 in</b>        |
| Frame Length          | <b>20.25 in</b>                    | Shaft Diameter        | <b>2.125 in</b>        |
| Shaft Extension       | <b>4.5 in</b>                      | Assembly/Box Mounting | <b>F1/F2 CAPABLE</b>   |
| Outline Drawing       | <b>B-SS514394-2025</b>             | Connection Drawing    | <b>A-EE7300U</b>       |



NOTES:  
 1. CONDUIT BOX CAN BE ROTATED IN 90° STEPS  
 2. NAMEPLATES TO BE READ FROM CONDUIT BOX SIDE OF THE MOTOR

DETAIL OF SHAFT EXTENSION

| DASH | FRAME     | C     | AG    | BV    |
|------|-----------|-------|-------|-------|
| 2025 | 444/445HP | 43.50 | 39.00 | 17.69 |

|  |  | TOLERANCES UNLESS SPECIFIED |            | MARATHON ELECTRIC |              | DRAWN DA 12-14-1992 |               |
|--|--|-----------------------------|------------|-------------------|--------------|---------------------|---------------|
|  |  | DEC.                        | INCHES     |                   |              | CHK                 | ML 12-16-1992 |
| 3  | REDRAWN IN AUTOCAD                             | TAT                         | 07-22-2004 | ML                | .XX ±.03     | APPD                | TB 12-16-1992 |
| 2  | REM. EYEBOLT, REPLACED WITH NEW FRAME CN 22904 | MJD                         | 04-29-1997 |                   | .XXX ±.005   | SCALE               | 1=8           |
| 1  | NEW DRAWING                                    | 3977863                     | DA         | 12-17-1992        | .XXXX ±.0005 | REF                 |               |
| NO.  | REVISION                                       | BY & DATE                   |            | CHK               | ANG ±7'30"   | MAT'L               | FMF           |
| THIS DRAWING IN DESIGN AND DETAIL IS OUR PROPERTY AND MUST NOT BE USED EXCEPT IN CONNECTION WITH OUR WORK ALL RIGHTS OF DESIGN AND INVENTION ARE RESERVED THIS IS AN ELECTRONICALLY GENERATED DOCUMENT - DO NOT SCALE THIS PRINT |  |                             |            | RFP               |              | FINISH              | PREV          |
|  |  |                             |            | DIST              | WA           | CAD FILE            | ss514394      |
|  |  |                             |            | SIZE              | B            | DRAWING NO.         | SS514394      |
|  |  |                             |            |                   |              | PAGE                | OF            |
|  |  |                             |            |                   |              | 3                   | REV.          |

**IF MOTOR HAS 9 LEADS**



**IF MOTOR HAS 6 LEADS**



A-9806 DECAL IF CALLED FOR

**IF MOTOR HAS 12 LEADS**



**VIEW OF TERMINAL END**

|  |                           |                           |  |                           |                                   |                |                        |                  |                                  |                        |      |        |         |     |       |         |  |      |        |          |  |       |         |           |  |                           |
|--|---------------------------|---------------------------|--|---------------------------|-----------------------------------|----------------|------------------------|------------------|----------------------------------|------------------------|------|--------|---------|-----|-------|---------|--|------|--------|----------|--|-------|---------|-----------|--|---------------------------|
| DRAWING REVISION<br><b>L</b>   | REVISION BY<br><b>AJW</b> | DATE<br><b>05-04-2015</b> | TOLERANCES UNLESS OTHERWISE SPECIFIED:   | DRAWN BY<br><b>DRS</b>    | <b>Regal Beloit America, Inc.</b> |                |                        |                  |                                  |                        |      |        |         |     |       |         |  |      |        |          |  |       |         |           |  |                           |
| ECO<br><b>ECO-0077067</b>  | APPROVED BY<br><b>EWH</b> | DATE<br><b>05-05-2015</b> | <table style="font-size: small; border-collapse: collapse;"> <tr> <td><u>DEC.</u></td> <td><u>INCH</u></td> <td><u>mm</u></td> <td><u>ANGLE</u></td> </tr> <tr> <td>.X</td> <td>±0.1</td> <td>[±2.5]</td> <td>±7' 30"</td> </tr> <tr> <td>.XX</td> <td>±0.02</td> <td>[±0.51]</td> <td></td> </tr> <tr> <td>.XXX</td> <td>±0.005</td> <td>[±0.127]</td> <td></td> </tr> <tr> <td>.XXXX</td> <td>±0.0005</td> <td>[±0.0127]</td> <td></td> </tr> </table> | <u>DEC.</u>               |                                   |                | <u>INCH</u>            | <u>mm</u>        | <u>ANGLE</u>                     | .X                     | ±0.1 | [±2.5] | ±7' 30" | .XX | ±0.02 | [±0.51] |  | .XXX | ±0.005 | [±0.127] |  | .XXXX | ±0.0005 | [±0.0127] |  | DATE<br><b>09-27-1996</b> |
| <u>DEC.</u>  | <u>INCH</u>               | <u>mm</u>                 | <u>ANGLE</u>   |                           |                                   |                |                        |                  |                                  |                        |      |        |         |     |       |         |  |      |        |          |  |       |         |           |  |                           |
| .X   | ±0.1                      | [±2.5]                    | ±7' 30"  |                           |                                   |                |                        |                  |                                  |                        |      |        |         |     |       |         |  |      |        |          |  |       |         |           |  |                           |
| .XX  | ±0.02                     | [±0.51]                   |  |                           |                                   |                |                        |                  |                                  |                        |      |        |         |     |       |         |  |      |        |          |  |       |         |           |  |                           |
| .XXX   | ±0.005                    | [±0.127]                  |  |                           |                                   |                |                        |                  |                                  |                        |      |        |         |     |       |         |  |      |        |          |  |       |         |           |  |                           |
| .XXXX  | ±0.0005                   | [±0.0127]                 |  |                           |                                   |                |                        |                  |                                  |                        |      |        |         |     |       |         |  |      |        |          |  |       |         |           |  |                           |
| ECO DESCRIPTION<br><b>UPDATED TO SOLIDWORKS</b><br><small>COPYRIGHT REGAL BELOIT AMERICA, INC. ALL RIGHTS RESERVED. PROPRIETARY AND CONFIDENTIAL INFORMATION - THIS DOCUMENT IS THE PROPERTY OF REGAL BELOIT AMERICA, INC. ("OWNER") AND CONTAINS OWNER'S PROPRIETARY INFORMATION. ANY PERSON, CORPORATION OR OTHER FIRM RECEIVING IT IS DEEMED, BY RECEIVING IT, TO AGREE THAT IT, AND/OR ANY PART OF IT, SHALL NOT BE DISCLOSED TO ANY PERSON, CORPORATION OR OTHER ENTITY, DUPLICATED, AND/OR USED, EXCEPT AS EXPRESSLY APPROVED IN WRITING IN ADVANCE BY OWNER. THIS DOCUMENT SHALL BE RETURNED TO OWNER UPON REQUEST. IT MAY BE SUBJECT TO CERTAIN RESTRICTIONS UNDER APPLICABLE EXPORT CONTROL LAWS AND REGULATIONS.</small> |                           |                           | APPROVED BY<br><b>GK</b>   | DATE<br><b>09-30-1996</b> | MATERIAL                          | PROCESS/FINISH |                        |                  |                                  |                        |      |        |         |     |       |         |  |      |        |          |  |       |         |           |  |                           |
|  |                           |                           | REMOVE BURRS & BREAK SHARP EDGES: .003/.015 [.076/.381] X 45°<br>CORNER FILLETS: R.02 [.51]<br>MACHINED SURFACES: 200 $\sqrt{\text{INCH}}$ 5.1 $\sqrt{\text{mm}}$<br>mm SHOWN IN [BRACKETS]  |                           |                                   | REFERENCE      | THIRD ANGLE PROJECTION | SIZE<br><b>A</b> | DRAWING NUMBER<br><b>EE7300U</b> | SHEET<br><b>1 OF 1</b> |      |        |         |     |       |         |  |      |        |          |  |       |         |           |  |                           |