

PRODUCT INFORMATION PACKET

marathon[®]
Motors

Model No: 184TTGS4001

Catalog No: U061

5 HP Definite Purpose AC Motor, 3 phase, 3600 RPM, 208-230/460 V, 184T Frame, EPFC
Other Purpose Motors

Regal and Marathon are trademarks of Regal Rexnord Corporation or one of its affiliated companies.
©2021 Regal Rexnord Corporation, All Rights Reserved. MC017097E

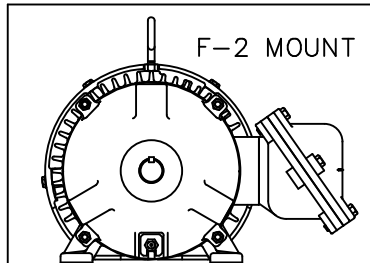
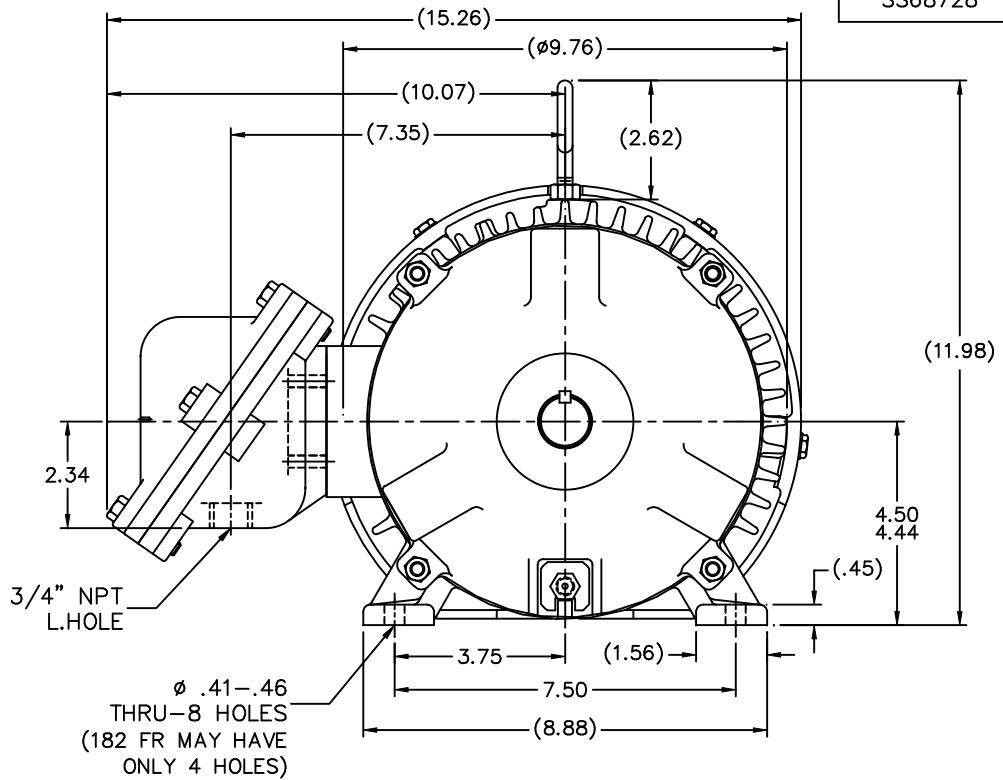
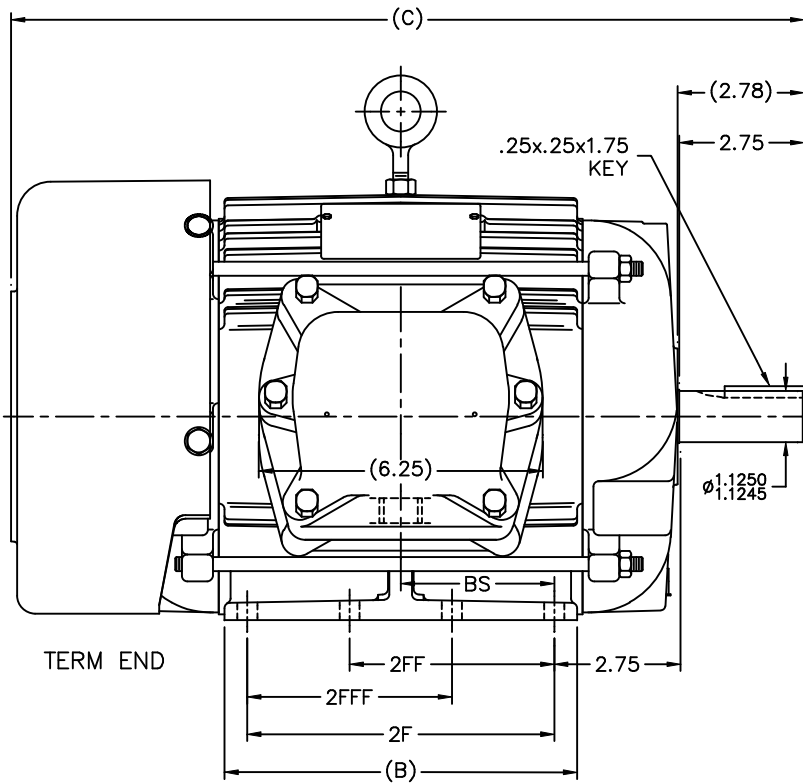
RegalRexnord

Nameplate Specifications

| | | | |
|------------------------|------------------------|----------------------------|-----------------------------------|
| Output HP | 5 Hp | Output KW | 3.7 kW |
| Frequency | 60 Hz | Voltage | 208-230/460 V |
| Current | 13.0-12.4/6.2 A | Speed | 3475 rpm |
| Service Factor | 1.15 | Phase | 3 |
| Efficiency | 87.5 % | Power Factor | 88 |
| Duty | Continuous | Insulation Class | F |
| Design Code | B | KVA Code | J |
| Frame | 184T | Enclosure | Explosion Proof Fan cooled |
| Thermal Protection | No | Ambient Temperature | 40 °C |
| Drive End Bearing Size | 6206 | Opp Drive End Bearing Size | 6205 |
| UL | Listed | CSA | Y |
| CE | N | IP Code | 54 |
| Number of Speeds | 1 | | |

Technical Specifications

| | | | |
|-----------------------|-------------------------------------|-----------------------|-------------------------|
| Electrical Type | Squirrel Cage Inverter Rated | Starting Method | Line Or Inverter |
| Poles | 2 | Rotation | Reversible |
| Resistance Main | 2.12 Ohms | Mounting | Rigid Base |
| Motor Orientation | Horizontal | Drive End Bearing | Ball |
| Opp Drive End Bearing | Ball | Frame Material | Cast Iron |
| Shaft Type | T | Overall Length | 17.44 in |
| Frame Length | 8.00 in | Shaft Diameter | 1.125 in |
| Shaft Extension | 2.75 in | Assembly/Box Mounting | F1 ONLY |
| Connection Drawing | A-EE7308T | Outline Drawing | B-SS68728-800 |



- NOTES:
 1- CONDUIT BOX CAN BE ROTATED IN 90° STEPS.
 2- CONDUIT BOX CAN BE MOUNTED ON OPPOSITE SIDE BY REMOVING BRACKETS AND TURNING FRAME 180°. THIS MODIFICATION CAN BE PERFORMED ONLY BY THE ORIGINAL EQUIPMENT MANUFACTURER, OR BY A FACILITY THAT IS COVERED UNDER UNDERWRITERS LABORATORIES INC. CATEGORY PTKQ, TITLED "MOTORS AND GENERATORS, REBUILT FOR USE IN HAZARDOUS LOCATIONS".
 3- NAMEPLATE TO BE READ FROM CONDUIT BOX SIDE OF MOTOR.

| DASH | FRAME | B | 2F | 2FF | 2FFF | BS | C CAST FAN GUARD | C STEEL FAN GUARD |
|------|--------|------|------|------|------|------|---------------------|----------------------|
| 575 | 182T | 5.50 | 4.50 | - | - | 2.25 | 15.19 | 14.87 |
| 675 | 182T | 6.50 | 5.50 | - | - | 2.75 | 16.19 | 15.87 |
| 675 | 182/4T | 6.50 | 5.50 | 4.50 | 4.50 | 2.75 | 16.19 | 15.87 |
| 800 | 182T | 7.75 | 6.75 | 4.50 | 4.50 | 3.37 | 17.44 | 17.12 |
| 800 | 184T | 7.75 | 6.75 | 5.50 | 5.50 | 3.37 | 17.44 | 17.12 |

| | | | | | | |
|--|--|----------------|-----|-----------------------------|---------------------|----------------------|
| 8 | ADD EXPLOSION-PROOF NOTE AND ARRANGE TO STD. | | | TOLERANCES UNLESS SPECIFIED | | DRAWN DRS 02-10-1999 |
| | PER MU76518 | RWR 11-20-2006 | ML | DEC. INCHES | | CHK ML 03-01-1999 |
| 7 | ADDED F-2 VIEW MU69527 | CAV 11-14-2005 | ML | .X ±.1 | APPD GK 03-01-1999 | |
| 6 | UPDATED C'BOX GEOMETRY CN 31842 | DRS 09-26-2002 | ML | .XX ±.03 | SCALE 3=8 | |
| 5 | REMOVED HOLE FROM FAN GUARD | CTO 01-17-2002 | ML | .XXX ±.005 | REF | |
| 4 | REVISED DASH 675 TO READ 182/4T CN 27451 | TJB 05-03-2001 | ML | .XXXX ±.0005 | FMF | |
| NO. | REVISION | BY & DATE | CHK | ANG ±7'30" | FINISH | PREV |
| THIS DRAWING IN DESIGN AND DETAIL IS OUR PROPERTY AND MUST NOT BE USED EXCEPT IN CONNECTION WITH OUR WORK ALL RIGHTS OF DESIGN AND INVENTION ARE RESERVED THIS IS AN ELECTRONICALLY GENERATED DOCUMENT - DO NOT SCALE THIS PRINT | | | | RFP | CAD FILE ss68728 | SIZE B |
| | | | | DIST LB | DRAWING NO. SS68728 | PAGE OF 8 |

HIGH VOLTAGE



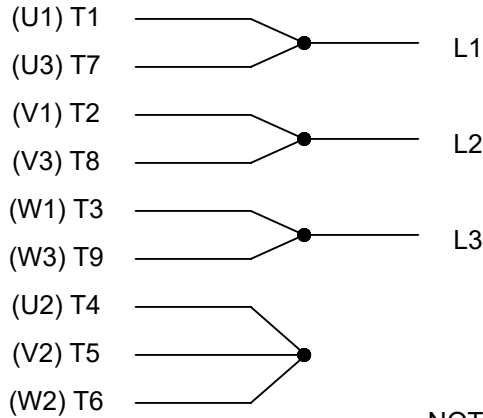
**THREE PHASE
DUAL VOLTAGE MOTOR**

THERMO-PROTECTORS
CONNECTED IN SERIES



NOTE FOR FACTORY USE ONLY:
TO SURGE TEST FOR COMMON CONNECT:
HIGH VOLT: CONNECT P1 TO T1
THEN P2 TO L1
LOW VOLT: CONNECT P1 TO T1 & T7,
THEN P2 TO L1

LOW VOLTAGE



VIEW OF TERMINAL END

NOTE: LEAD'S COLOR CAN BE YELLOW OR WHITE FOR MT2 PLANT

| | | | | | |
|---|-------------------|--------------------|----------------------------|---------------------------|---|
| DRAWING REVISION T | REVISION BY ZR | DATE 01-14-2019 | | DRAWN BY SMC | Regal Beloit America, Inc. |
| ECO ECO-0159915 | APPROVED BY DR | DATE 01-15-2019 | | DATE 05-13-1992 | |
| ECO DESCRIPTION ADDED TERMINAL CONNECTION DIAGRAM | | | | APPROVED BY TB | DESCRIPTION CONN DIAGRAM-INTERNAL 3 PHASE - DUAL VOLTAGE MOTOR |
| <small>COPYRIGHT REGAL BELOIT AMERICA, INC. ALL RIGHTS RESERVED. PROPRIETARY AND CONFIDENTIAL INFORMATION - THIS DOCUMENT IS THE PROPERTY OF REGAL BELOIT AMERICA, INC. ("OWNER") AND CONTAINS OWNER'S PROPRIETARY INFORMATION. ANY PERSON, CORPORATION OR OTHER FIRM RECEIVING IT IS DEEMED, BY RECEIVING IT, TO AGREE THAT IT, AND/OR ANY PART OF IT, SHALL NOT BE DISCLOSED TO ANY PERSON, CORPORATION OR OTHER ENTITY, DUPLICATED, AND/OR USED, EXCEPT AS EXPRESSLY APPROVED IN WRITING IN ADVANCE BY OWNER. THIS DOCUMENT SHALL BE RETURNED TO OWNER UPON REQUEST. IT MAY BE SUBJECT TO CERTAIN RESTRICTIONS UNDER APPLICABLE EXPORT CONTROL LAWS AND REGULATIONS.</small> | | | | DATE 05-13-1992 | MATERIAL |
| | | | REFERENCE EE7308/EE7300 | THIRD ANGLE PROJECTION | SIZE A |