

# PRODUCT INFORMATION PACKET

Model No: 184TTDW4076

Catalog No: E1730

2 HP Definite Purpose AC Motor, 3 phase, 1200 RPM, 230/460 V, 184T Frame, ODP  
Other Purpose Motors



### Nameplate Specifications

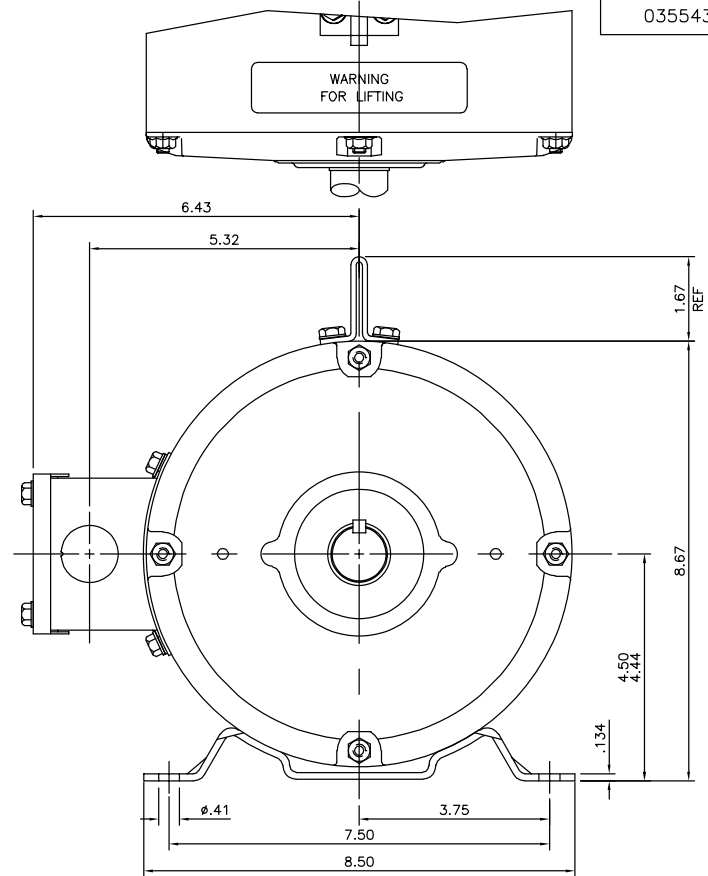
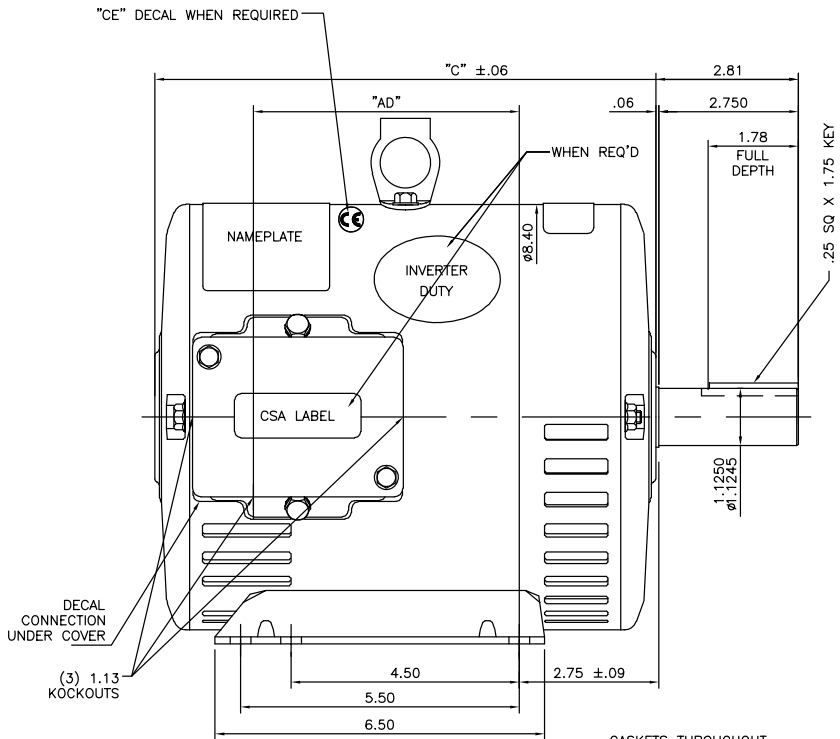
Output HP	<b>2 Hp</b>	Output KW	<b>1.49 kW</b>
Frequency	<b>60 Hz</b>	Voltage	<b>230/460 V</b>
Current	<b>6.8/3.4 A</b>	Speed	<b>1170 rpm</b>
Service Factor	<b>1.15</b>	Phase	<b>3</b>
Efficiency	<b>85.5 %</b>	Power Factor	<b>64.4</b>
Duty	<b>CONTINUOUS</b>	Insulation Class	<b>F</b>
Design Code	<b>B</b>	KVA Code	<b>J</b>
Frame	<b>184T</b>	Enclosure	<b>DP</b>
Thermal Protection	<b>NOT</b>	Ambient Temperature	<b>40 °C</b>
Drive End Bearing Size	<b>6206</b>	Opp Drive End Bearing Size	<b>6205</b>
UL	<b>Recognized</b>	CSA	<b>Y</b>
CE	<b>Y</b>	IP Code	<b>22</b>

### Technical Specifications

Electrical Type	<b>SQ CAGE IND RUN</b>	Starting Method	<b>ACROSS THE LINE</b>
Poles	<b>6</b>	Rotation	<b>REV</b>
Resistance Main	<b>6.6 Ohms</b>	Mounting	<b>RIGID</b>
Motor Orientation	<b>HORIZONTAL</b>	Drive End Bearing	<b>BALL</b>
Opp Drive End Bearing	<b>BALL</b>	Frame Material	<b>ROLLED STEEL</b>
Shaft Type	<b>T</b>	Overall Length	<b>13.19 in</b>
Frame Length	<b>9 in</b>	Shaft Diameter	<b>1.13 in</b>
Shaft Extension	<b>2.81 in</b>	Assembly/Box Mounting	<b>F1 ONLY</b>

This is an uncontrolled document once printed or downloaded and is subject to change without notice. Date Created:01/11/2019

035543



GASKETS THROUGHOUT

DASH NO.	"C"	"AD"
850	12.69	5.25
900	13.19	5.75
950	13.69	6.25
1000	14.19	6.75
1050	14.69	7.25
1100	15.19	7.75
1150	15.69	8.25
1200	16.19	8.75

NO.	REVISION	BY & DATE	CHK	ANG
01	WHEN REQ'D NOTE ADDED	PVR 06/16/15	GR	.XXXX ±.0005

TOLERANCES UNLESS SPECIFIED	
DEC.	INCHES
X	±.1
.XX	±.03
.XXX	±.005
.XXXX	±.0005
CHK	ANG ±1/2'

**MARATHON ELECTRIC**

TITLE: OUTLINE - 180T FRAME  
DRIP PROOF - RIGID

MAT'L

FINISH

CAD FILE: 035543

DRAWN	YS 03/14/08
CHK	YS 08/08/07
APPD	
SCALE	1=2
REF	035534
FMF	
PREV	
SIZE	DRAWING NO.
B	035543
REV.	01

THIS DRAWING IN DESIGN AND DETAIL IS OUR PROPERTY AND MUST NOT BE USED EXCEPT IN CONNECTION WITH OUR WORK ALL RIGHTS OF DESIGN AND INVENTION ARE RESERVED THIS IS AN ELECTRONICALLY GENERATED DOCUMENT - DO NOT SCALE THIS PRINT