

PRODUCT INFORMATION PACKET

marathon[®]
Motors

Model No: 184TTFR4056

Catalog No: U326

5 HP Close-Coupled Pump Motor, 3 phase, 1800 RPM, 575 V, 184JM Frame, TEFC
Close-Coupled Pump Motors

Regal and Marathon are trademarks of Regal Rexnord Corporation or one of its affiliated companies.
©2021 Regal Rexnord Corporation, All Rights Reserved. MC017097E

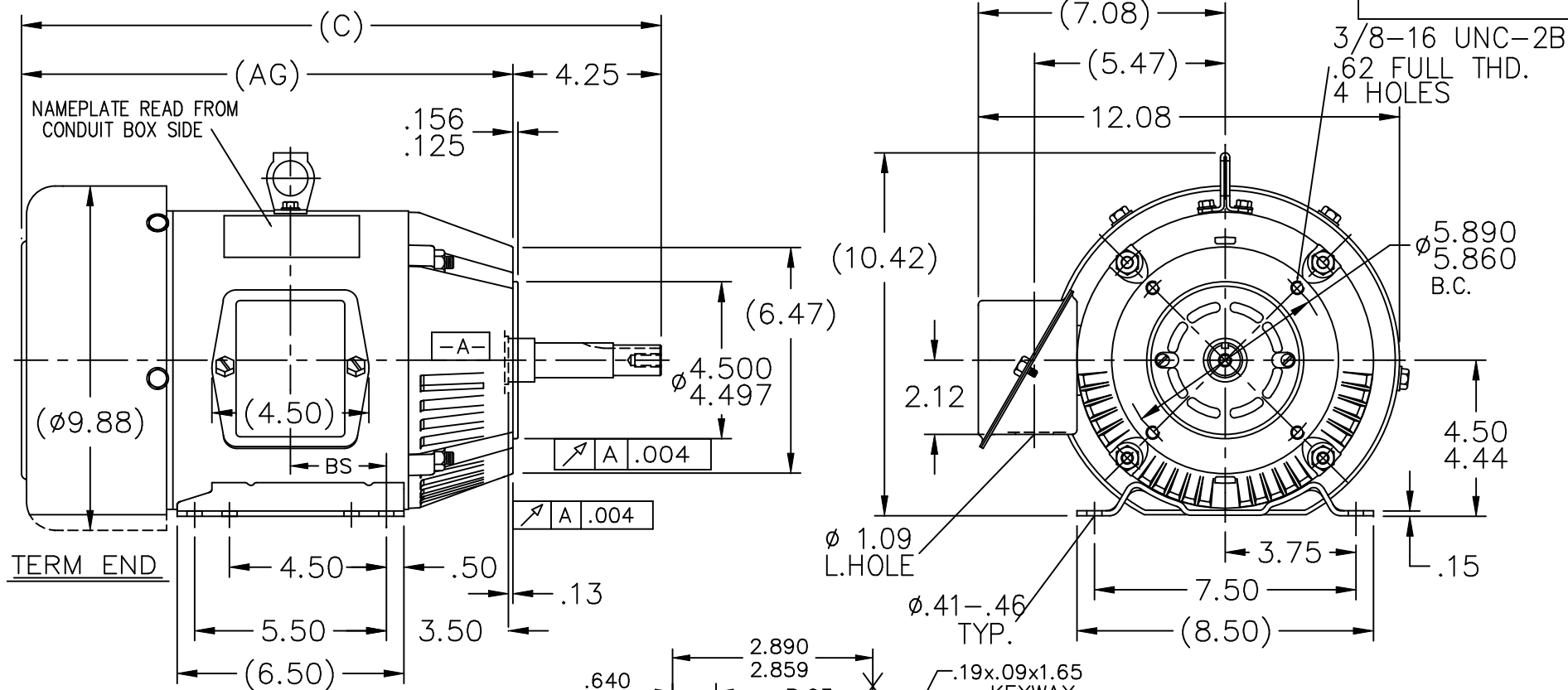
The logo for Regal Rexnord, featuring a stylized 'R' icon followed by the text 'RegalRexnord'.

Nameplate Specifications

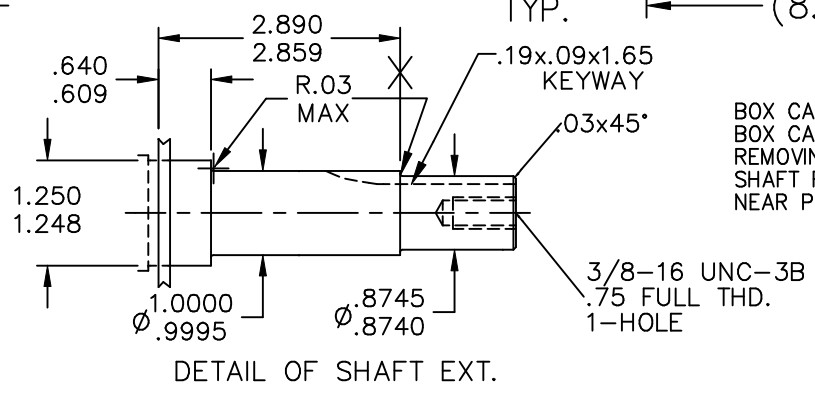
Output HP	5 Hp	Output KW	3.7 kW
Frequency	60 Hz	Voltage	575 V
Current	5.2 A	Speed	1745 rpm
Service Factor	1.15	Phase	3
Efficiency	87.5 %	Power Factor	82.5
Duty	Continuous	Insulation Class	F
Design Code	B	KVA Code	J
Frame	184JM	Enclosure	Totally Enclosed Fan Cooled
Thermal Protection	No	Ambient Temperature	40 °C
Drive End Bearing Size	6307	Opp Drive End Bearing Size	6205
UL	Recognized	CSA	Y
CE	Y	IP Code	43
Number of Speeds	1		

Technical Specifications

Electrical Type	Squirrel Cage Induction Run	Starting Method	Across The Line
Poles	4	Rotation	Reversible
Resistance Main	3.05 Ohms	Mounting	Rigid Base
Motor Orientation	Horizontal	Drive End Bearing	Ball
Opp Drive End Bearing	Ball	Frame Material	Rolled Steel
Shaft Type	JM	Overall Length	18.85 in
Frame Length	7.25 in	Shaft Diameter	0.875 in
Shaft Extension	4.28 in	Assembly/Box Mounting	F1 ONLY
Connection Drawing	A-EE7300	Outline Drawing	A-SS65647-725



DASH	FR.	C	AG	BS	MOUNTING
575	182T	17.35	13.10	2.25	F1 ONLY
625	182T	17.85	13.60	2.50	F1 ONLY
675	182/4T	18.35	14.10	2.75	F1 OR F2
725	182/4T	18.85	14.60	3.00	F1 OR F2
775	182/4T	19.35	15.10	3.25	F1 OR F2
825	182/4T	19.85	15.60	3.50	F1 ONLY
875	182/4T	20.35	16.10	3.75	F1 ONLY



(REPLACES A-SS65455)

NO.	REVISION	BY & DATE	CHK	ANG	±7'30"	FINISH
8	CORRECTED REAR BRACKET DESIGN	JJB 07/20/2007	ML	TOLERANCES UNLESS SPECIFIED		
7	ADDED LIFT LUG CN 34025	DRS 07-20-2001		DEC.	INCHES	
6	REMOVED DASH 675 182T DASH 675 182/4T WAS 184T CN 29200-443	TJB 05-16-2000		.X	±.1	
5	ADDED -675 W/F1 ONLY MOUNTING CN27400-320	CAE 09-15-1999		.XXX	±.005	
4	REMOVED EYEBOLT	DRS 11-08-1995		.XXXX	±.0005	

RFP	DIST	LB

MARATHON ELECTRIC

TITLE OUTLINE
180T FR.-BB-TS-TEFC-C'FACE-'JM' EXT.

CAD FILE ss65647

DRAWN	CHK	APPD	SCALE	REF	FMF	PREV
DJK 04-28-1993	ML 06-17-1993	GK 06-17-1993	7=32			

SIZE	DRAWING NO.	PAGE	OF	REV.
A	SS65647			8

**THREE PHASE - SINGLE VOLTAGE
MOTOR - CONDUIT BOX @ 'A'**

**TO REVERSE ROTATION:
INTERCHANGE ANY TWO
LINE LEAD CONNECTIONS.**

TERMINAL BLOCK WHEN SPECIFIED



VIEW OF TERMINAL END

**IF MOTOR HAS
6 LEADS**

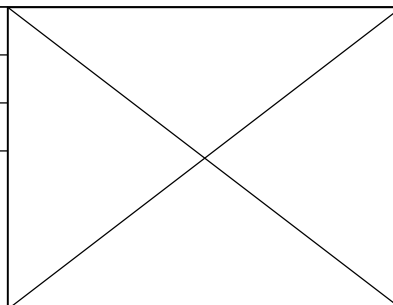


A-9806 DECAL

**OPTIONAL CORD
CONNECTION**



DRAWING REVISION AB	REVISION BY JJB	DATE 06-27-2017
ECO ECO-0125361	APPROVED BY TB	DATE 06-27-2017
ECO DESCRIPTION UPDATED TO CURRENT STANDARDS		
<small>COPYRIGHT REGAL BELOIT AMERICA, INC. ALL RIGHTS RESERVED. PROPRIETARY AND CONFIDENTIAL INFORMATION - THIS DOCUMENT IS THE PROPERTY OF REGAL BELOIT AMERICA, INC. ("OWNER") AND CONTAINS OWNER'S PROPRIETARY INFORMATION. ANY PERSON, CORPORATION OR OTHER FIRM RECEIVING IT IS DEEMED, BY RECEIVING IT, TO AGREE THAT IT, AND/OR ANY PART OF IT, SHALL NOT BE DISCLOSED TO ANY PERSON, CORPORATION OR OTHER ENTITY, DUPLICATED, AND/OR USED, EXCEPT AS EXPRESSLY APPROVED IN WRITING IN ADVANCE BY OWNER. THIS DOCUMENT SHALL BE RETURNED TO OWNER UPON REQUEST. IT MAY BE SUBJECT TO CERTAIN RESTRICTIONS UNDER APPLICABLE EXPORT CONTROL LAWS AND REGULATIONS.</small>		



DRAWN BY DA
DATE 03-26-1993
APPROVED BY TB
DATE 03-26-1993
REFERENCE
THIRD ANGLE PROJECTION

Regal Beloit America, Inc.	
DESCRIPTION CONNECTION DIAGRAM EXTERNAL - SINGLE VOLTAGE - 3Ø MOTOR	
MATERIAL	PROCESS/FINISH
SIZE A	DRAWING NUMBER EE7300
SHEET 1 OF 1	