

PRODUCT INFORMATION PACKET

marathon[®]
Motors

Model No: 182TTFR4009

Catalog No: U316

3 HP Close-Coupled Pump Motor, 3 phase, 3600 RPM, 230/460 V, 182JM Frame, TEFC
Close-Coupled Pump Motors

Regal and Marathon are trademarks of Regal Rexnord Corporation or one of its affiliated companies.
©2021 Regal Rexnord Corporation, All Rights Reserved. MC017097E

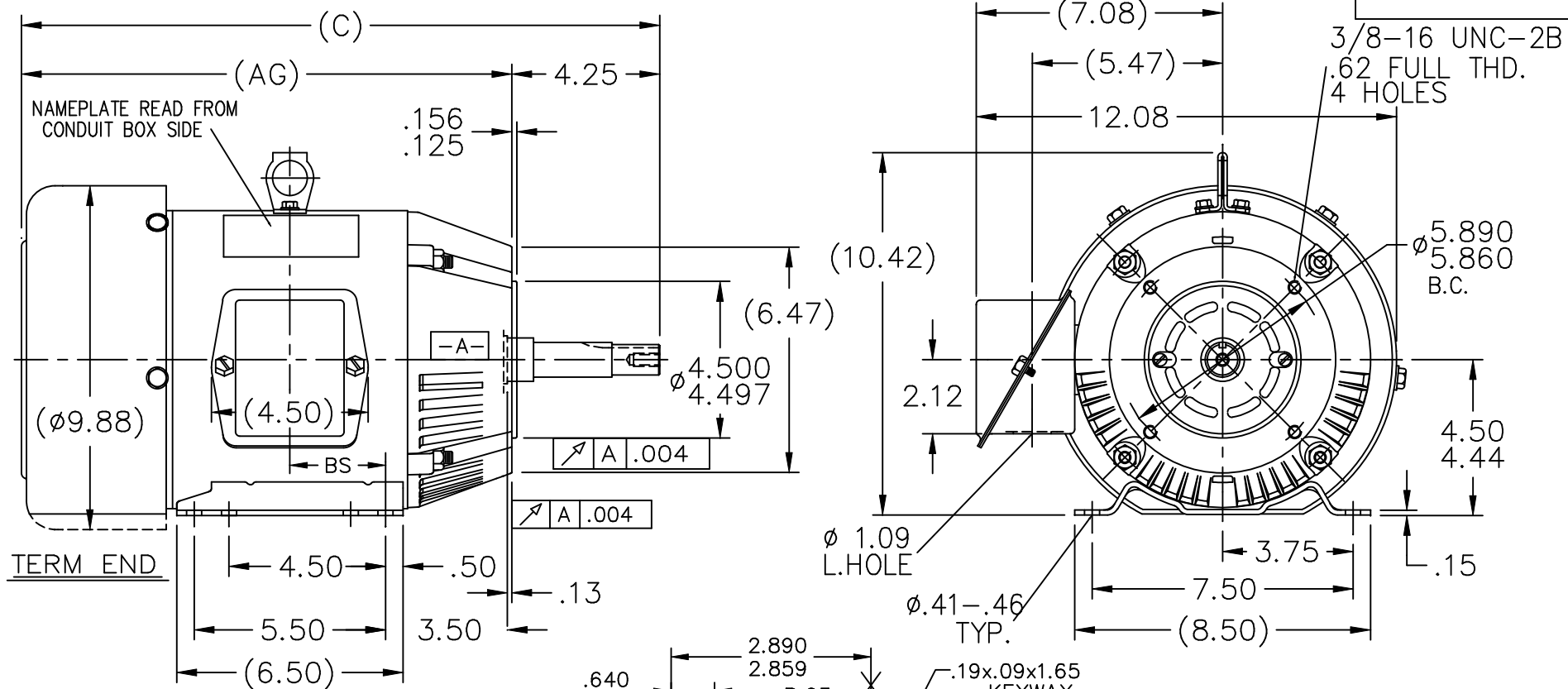
The logo for Regal Rexnord, featuring a stylized 'R' icon followed by the text 'RegalRexnord'.

Nameplate Specifications

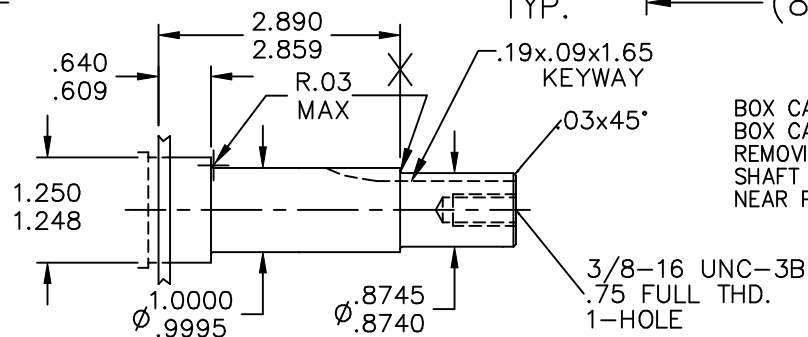
| | | | |
|------------------------|-------------------|----------------------------|------------------------------------|
| Output HP | 3 Hp | Output KW | 2.2 kW |
| Frequency | 60 Hz | Voltage | 230/460 V |
| Current | 7.4/3.7 A | Speed | 3480 rpm |
| Service Factor | 1.15 | Phase | 3 |
| Efficiency | 85.5 % | Power Factor | 88.5 |
| Duty | Continuous | Insulation Class | F |
| Design Code | B | KVA Code | J |
| Frame | 182JM | Enclosure | Totally Enclosed Fan Cooled |
| Thermal Protection | No | Ambient Temperature | 40 °C |
| Drive End Bearing Size | 6307 | Opp Drive End Bearing Size | 6205 |
| UL | Recognized | CSA | Y |
| CE | Y | IP Code | 43 |
| Number of Speeds | 1 | | |

Technical Specifications

| | | | |
|-----------------------|------------------------------------|-----------------------|------------------------|
| Electrical Type | Squirrel Cage Induction Run | Starting Method | Across The Line |
| Poles | 2 | Rotation | Reversible |
| Resistance Main | 3.9 Ohms | Mounting | Rigid Base |
| Motor Orientation | Horizontal | Drive End Bearing | Ball |
| Opp Drive End Bearing | Ball | Frame Material | Rolled Steel |
| Shaft Type | JM | Overall Length | 17.35 in |
| Frame Length | 5.75 in | Shaft Diameter | 0.875 in |
| Shaft Extension | 4.28 in | Assembly/Box Mounting | F1 ONLY |
| Outline Drawing | A-SS65647-575 | Connection Drawing | A-EE7308 |



| DASH | FR. | C | AG | BS | MOUNTING |
|------|--------|-------|-------|------|----------|
| 575 | 182T | 17.35 | 13.10 | 2.25 | F1 ONLY |
| 625 | 182T | 17.85 | 13.60 | 2.50 | F1 ONLY |
| 675 | 182/4T | 18.35 | 14.10 | 2.75 | F1 OR F2 |
| 725 | 182/4T | 18.85 | 14.60 | 3.00 | F1 OR F2 |
| 775 | 182/4T | 19.35 | 15.10 | 3.25 | F1 OR F2 |
| 825 | 182/4T | 19.85 | 15.60 | 3.50 | F1 ONLY |
| 875 | 182/4T | 20.35 | 16.10 | 3.75 | F1 ONLY |



DETAIL OF SHAFT EXT.

(REPLACES A-SS65455)

| NO. | REVISION | BY & DATE | CHK | ANG | ±7'30" | FINISH |
|-----|---|----------------|-----|-------|--------|--------|
| 8 | CORRECTED REAR BRACKET DESIGN | JJB 07/20/2007 | ML | | | |
| 7 | ADDED LIFT LUG CN 34025 | DRS 07-20-2001 | | DEC. | INCHES | |
| 6 | REMOVED DASH 675 182T DASH 675 182/4T WAS 184T CN 29200-443 | TJB 05-16-2000 | | .XX | ±.03 | |
| 5 | ADDED -675 W/F1 ONLY MOUNTING CN27400-320 | CAE 09-15-1999 | | .XXX | ±.005 | |
| 4 | REMOVED EYEBOLT | DRS 11-08-1995 | | .XXXX | ±.0005 | |

| TOLERANCES UNLESS SPECIFIED | DEC. | INCHES |
|-----------------------------|-------|--------|
| | .X | ±.1 |
| | .XX | ±.03 |
| | .XXX | ±.005 |
| | .XXXX | ±.0005 |
| | | ±7'30" |



TITLE OUTLINE
180T FR.-BB-TS-TEFC-C'FACE-'JM' EXT.
MAT'L.
FINISH

| |
|----------------------|
| DRAWN DJK 04-28-1993 |
| CHK ML 06-17-1993 |
| APPD GK 06-17-1993 |
| SCALE 7=32 |
| REF |
| FMF |
| PREV |

THIS DRAWING IN DESIGN AND DETAIL IS OUR PROPERTY AND MUST NOT BE USED EXCEPT IN CONNECTION WITH OUR WORK ALL RIGHTS OF DESIGN AND INVENTION ARE RESERVED THIS IS AN ELECTRONICALLY GENERATED DOCUMENT - DO NOT SCALE THIS PRINT

| | | | | | |
|---------|------------------|--------|---------------------|---------|--------|
| RFP | CAD FILE ss65647 | SIZE A | DRAWING NO. SS65647 | PAGE OF | REV. 8 |
| DIST LB | | | | | |

EE7308

THREE PHASE
DUAL VOLTAGE MOTOR



VIEW OF TERMINAL END

REF.
WINDING DIAGRAM

T8Y, T2Y, T2BL, T4BX, T2EC, T2G
T6BZ, T2B, T6BL, T4AV, T6B, T4B

OPTIONAL CORD
CONNECTION

L1 — WHITE
L2 — RED
L3 — BLACK

| NO. | REVISION | BY & DATE | CHK | ANG | TOLERANCES UNLESS SPECIFIED | | FINISH | DRAWN RM 11/20/1990 | | | | |
|--|--|----------------|-----|-------|--------------------------------|--------|--------------------------|---------------------|--------|--------------------|-----------|--------|
| | | | | | DEC. | INCHES | | | | | | |
| 5 | CHG TO REGAL LOGO | SL 09/10/2015 | AB | | | | | CHK ML 11/21/1990 | | | | |
| 4 | REVISED IEC NOTATIONS | MSG 11/15/2011 | CMN | .X | ±.1 | | | APPD SAS 04/24/2003 | | | | |
| 3 | ADDED IEC NOTATIONS... (U1), (V1) ETC. MU95194 | MSG 5/10/2010 | MJS | .XX | ±.02 | | TITLE CONNECTION DIAGRAM | SCALE 1=1 | | | | |
| 2 | ADDED THE OPTIONAL CORD CONNECTION MU46318 | RDH 04/24/2003 | DRS | .XXX | ±.005 | | 3Ø - DUAL VOLTAGE MOTOR | REF | | | | |
| 1 | REDRAWN | RM 11/20/1990 | | .XXXX | ±.0005 | | MAT'L. | FMF | | | | |
| | | | | | ±7'30" | | | PREV | | | | |
| THIS DRAWING IN DESIGN AND DETAIL IS OUR PROPERTY AND MUST NOT BE USED EXCEPT IN CONNECTION WITH OUR WORK ALL RIGHTS OF DESIGN AND INVENTION ARE RESERVED THIS IS AN ELECTRONICALLY GENERATED DOCUMENT - DO NOT SCALE THIS PRINT | | | | | | | RFP | CAD FILE ee7308 | SIZE A | DRAWING NO. EE7308 | PAGE OF 5 | REV. 5 |
| | | | | | | | DIST WP | | | | | |



Regal Beloit America, Inc.