

PRODUCT INFORMATION PACKET

Model No: 145TTTC4026

Catalog No: E837

General Purpose Motor, 1.50 & 1 HP, 3 Ph, 60 & 50 Hz, 230/460 & 190/380 V, 1800 & 1500 RPM,
145T Frame, TENV



Regal and Marathon are trademarks of Regal Rexnord Corporation or one of its affiliated companies.

©2023 Regal Rexnord Corporation, All Rights Reserved. MC017097E

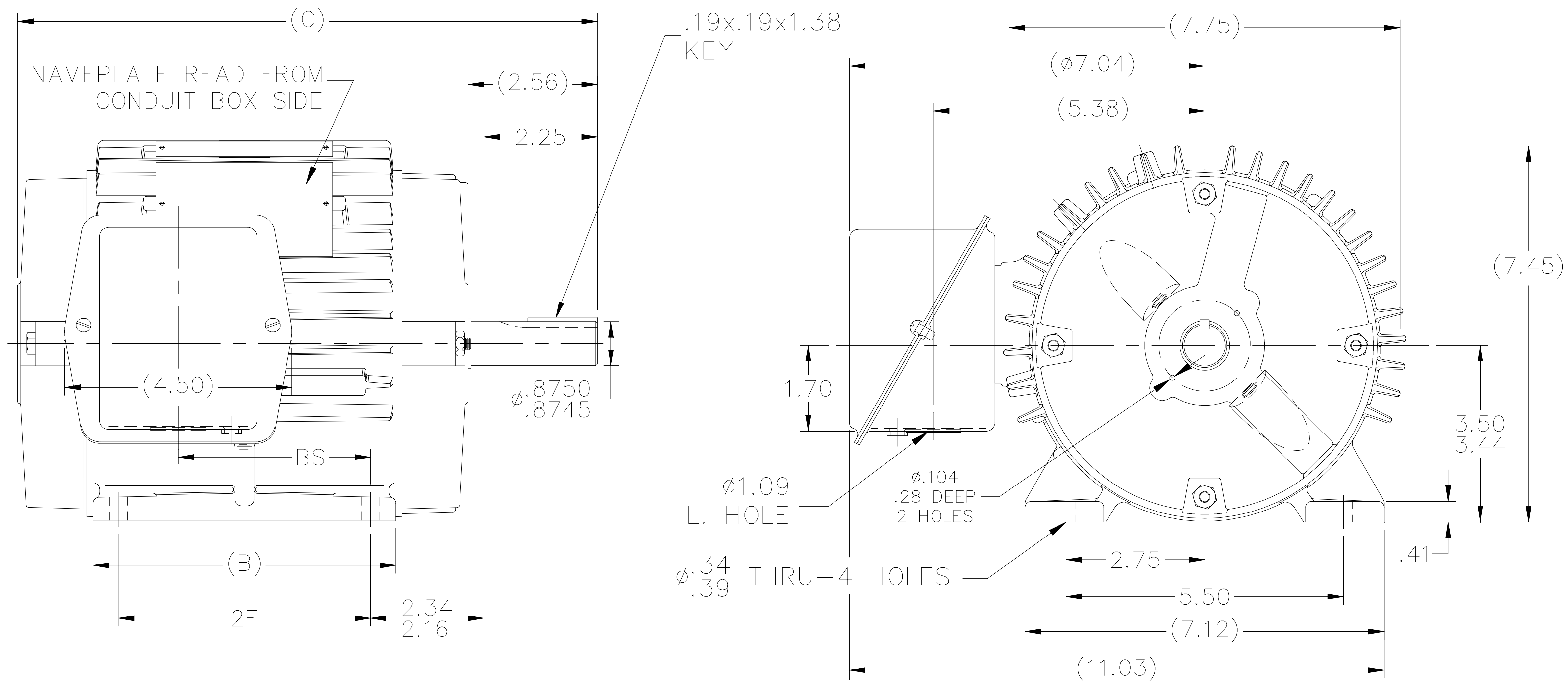
Nameplate Specifications

Phase	3	Output HP	1.50 & 1 Hp
Output KW	1.1 & 0.75 kW	Voltage	230/460 & 190/380 V
Speed	1730 & 1435 rpm	Service Factor	1.15 & 1.15
Frame	145T	Enclosure	Totally Enclosed Non Ventilated
Thermal Protection	No Protection	Efficiency	84 & 85.5 %
Ambient Temperature	40 °C	Frequency	60 & 50 Hz
Current	4.2/2.1 & 3.6/1.8 A	Power Factor	78
Duty	Continuous	Insulation Class	F
Design Code	B	KVA Code	K
Drive End Bearing Size	6205	Opp Drive End Bearing Size	6203
UL	Recognized	CSA	Y
CE	Y	IP Code	43
Number of Speeds	1		

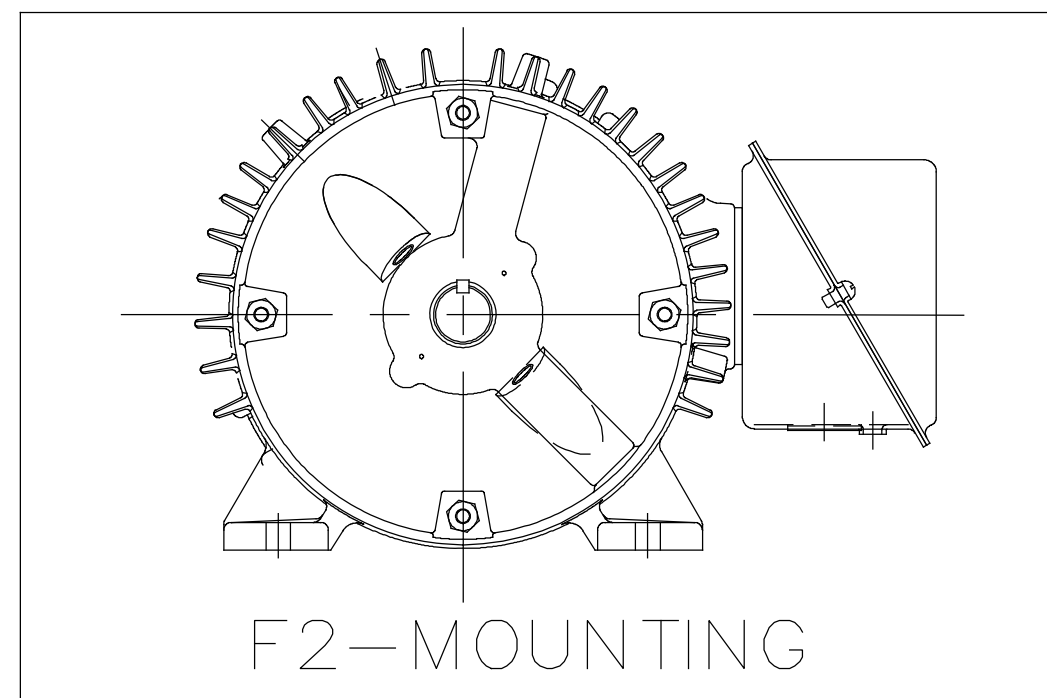
Technical Specifications

Electrical Type	Squirrel Cage Induction Run	Starting Method	Across The Line
Poles	4	Rotation	Reversible
Mounting	Rigid Base	Motor Orientation	Horizontal
Drive End Bearing	Ball	Opp Drive End Bearing	Ball
Frame Material	Cast Iron	Shaft Type	T
Overall Length	11.43 in	Frame Length	6.25 in
Shaft Diameter	0.875 in	Shaft Extension	2.25 in
Assembly/Box Mounting	F1/F2 Capable		
Outline Drawing	100655-625	Connection Drawing	EE7308

100655



- NOTES:
 1- BOX CAN BE ROTATED IN 90° STEPS.
 2- BOX CAN BE MOUNTED ON OPPOSITE SIDE BY REMOVING BRACKETS AND TURNING FRAME 180°.
 3- FRONT GREASE HOLE LOCATIONS SHOWN WITH HIDDEN LINES.



DASH	FR.	B	C	BS	2F
525	143T	5.00	10.43	2.81	4.00
625	145T	6.00	11.43	3.81	5.00

NO.	REVISION	BY & DATE	CHK	ANG	±7'30"	TOLERANCES UNLESS SPECIFIED		MARATHON ELECTRIC	DRAWN RM 10-27-1992
						DEC.	INCHES		
11	ADDED DIA .104 HOLES ON DRAWING	UD 09/06/2018							CHK ML 10-28-1992
10	ADDED F2-MOUNTING	PST 05/05/2014	SM						APPD GK 10-28-1992
9	CORRECTED FOOT MOUNTING DIMENSIONS	DRS 10-13-2005		.X	±.1				SCALE 11=32
8	REDRAWN IN AUTOCAD	TAT 06-29-2004	ML	.XX	±.03			TITLE OUTLINE	REF
7	BA TOLERANCE CHANGED TO ±.090 CN 27601	CAE 03-12-1999		.XXX	±.005			140T FR. - BB - TS - TENV	FMF
6	REV. -525 BS DIM. TO 2.81, WAS 3.51 CN 25600-161	BLR 04-22-1998		.XXXX	±.0005			MAT'L.	PREV
THIS DRAWING IN DESIGN AND DETAIL IS OUR PROPERTY AND MUST NOT BE USED EXCEPT IN CONNECTION WITH OUR WORK ALL RIGHTS OF DESIGN AND INVENTION ARE RESERVED THIS IS AN ELECTRONICALLY GENERATED DOCUMENT - DO NOT SCALE THIS PRINT			RFP	CAD FILE 100655		SIZE A	DRAWING NO. 100655	PAGE OF 1110	REV.
			DIST LB-WP						

EE7308

THREE PHASE
DUAL VOLTAGE MOTOR



VIEW OF TERMINAL END

REF.
WINDING DIAGRAM

T8Y, T2Y, T2BL, T4BX, T2EC, T2G
T6BZ, T2B, T6BL, T4AV, T6B, T4B

OPTIONAL CORD
CONNECTION

L1 — WHITE
L2 — RED
L3 — BLACK

NO.	REVISION	BY & DATE	CHK	ANG	TOLERANCES UNLESS SPECIFIED		FINISH	DRAWN RM 11/20/1990				
					DEC.	INCHES						
5	CHG TO REGAL LOGO	SL 09/10/2015	AB					CHK ML 11/21/1990				
4	REVISED IEC NOTATIONS	MSG 11/15/2011	CMN	.X	±.1			APPD SAS 04/24/2003				
3	ADDED IEC NOTATIONS... (U1), (V1) ETC. MU95194	MSG 5/10/2010	MJS	.XX	±.02		TITLE CONNECTION DIAGRAM	SCALE 1=1				
2	ADDED THE OPTIONAL CORD CONNECTION MU46318	RDH 04/24/2003	DRS	.XXX	±.005		3Ø - DUAL VOLTAGE MOTOR	REF				
1	REDRAWN	RM 11/20/1990		.XXXX	±.0005		MAT'L.	FMF				
					±7'30"			PREV				
THIS DRAWING IN DESIGN AND DETAIL IS OUR PROPERTY AND MUST NOT BE USED EXCEPT IN CONNECTION WITH OUR WORK ALL RIGHTS OF DESIGN AND INVENTION ARE RESERVED THIS IS AN ELECTRONICALLY GENERATED DOCUMENT - DO NOT SCALE THIS PRINT							RFP	CAD FILE ee7308	SIZE A	DRAWING NO. EE7308	PAGE OF 5	REV. 5
							DIST WP					

