

PRODUCT INFORMATION PACKET

marathon[®]
Motors

Model No: 184TTDR4148

Catalog No: U172

5 HP Close-Coupled Pump Motor, 3 phase, 1800 RPM, 575 V, 184JP Frame, ODP
Close-Coupled Pump Motors

Regal and Marathon are trademarks of Regal Rexnord Corporation or one of its affiliated companies.
©2021 Regal Rexnord Corporation, All Rights Reserved. MC017097E

The logo for Regal Rexnord, featuring a stylized 'R' icon followed by the text 'RegalRexnord'.



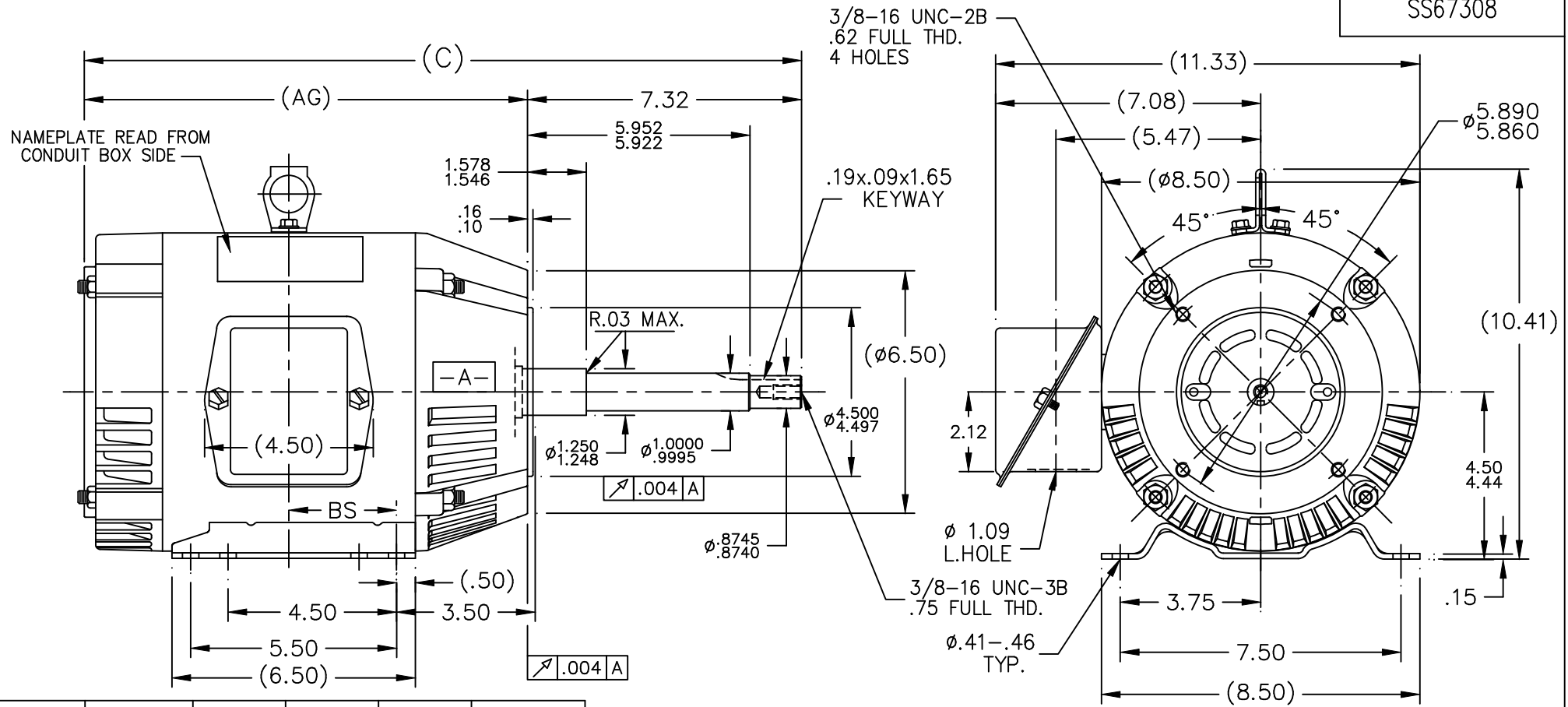
Nameplate Specifications

Output HP	5 Hp	Output KW	3.7 kW
Frequency	60 Hz	Voltage	575 V
Current	5.3 A	Speed	1745 rpm
Service Factor	1.15	Phase	3
Efficiency	87.5 %	Power Factor	81
Duty	Continuous	Insulation Class	B
Design Code	B	KVA Code	J
Frame	184JP	Enclosure	Drip Proof
Thermal Protection	No	Ambient Temperature	40 °C
Drive End Bearing Size	6307	Opp Drive End Bearing Size	6205
UL	Recognized	CSA	Y
CE	Y	IP Code	22
Number of Speeds	1		

Technical Specifications

Electrical Type	Squirrel Cage Induction Run	Starting Method	Across The Line
Poles	4	Rotation	Reversible
Resistance Main	3.2 Ohms	Mounting	Rigid Base
Motor Orientation	Horizontal	Drive End Bearing	Ball
Opp Drive End Bearing	Ball	Frame Material	Rolled Steel
Shaft Type	JP	Overall Length	19.66 in
Frame Length	7.25 in	Shaft Diameter	0.875 in
Shaft Extension	7.34 in	Assembly/Box Mounting	F1 ONLY
Outline Drawing	A-SS67308-725	Connection Drawing	A-EE7300

This is an uncontrolled document once printed or downloaded and is subject to change without notice. Date Created:10/12/2021



DASH	FR.	AG	C	BS	MOUNTING
575	182T	10.84	18.16	2.75	F1 OR F2
675	182/4T	11.84	19.16	3.25	F1 ONLY
725	182/4T	12.34	19.66	3.00	F1 ONLY
775	182/4T	12.84	20.16	3.75	F1 ONLY

NOTES:

1. BOX CAN BE ROTATED IN 90° STEPS.
2. BOX CAN BE MOUNTED ON OPPOSITE SIDE BY REMOVING BRACKETS AND TURNING FRAME 180°

				TOLERANCES UNLESS SPECIFIED		MARATHON ELECTRIC		DRAWN MJD 05-22-1997		
		DRS	08-29-2002	ML	DEC.	INCHES	CHK ML 05-28-1997		APPD GK 05-28-1997	
7	COMBINED -675 182T & 184T INTO ONE DASH	DRS	08-29-2002	ML	DEC.	INCHES	TITLE OUTLINE		SCALE 1=4	
6	UDPATED SHAFT EXTENSION LENGTHS CN 31327	DRS	10-12-2001		.X	±.1	180T FR. - BB - TS - DR.PR. - 'JP' EXT.		REF	
5	ADDED LIFTING LUG MU39693	CAV	09-11-2001		.XX	±.03	MAT'L.		FMF	
4	ADDED -675 W/ F1 ONLY MOUNTING CN 27400-320	CAE	11-02-1999		.XXX	±.005	FINISH		PREV	
3	REDRAWN ON CADD	MJD	05-28-1997		.XXXX	±.0005				
NO.	REVISION	BY & DATE		CHK	ANG	±7'30"				
THIS DRAWING IN DESIGN AND DETAIL IS OUR PROPERTY AND MUST NOT BE USED EXCEPT IN CONNECTION WITH OUR WORK ALL RIGHTS OF DESIGN AND INVENTION ARE RESERVED THIS IS AN ELECTRONICALLY GENERATED DOCUMENT - DO NOT SCALE THIS PRINT				RFP	CAD FILE SS67308			SIZE	DRAWING NO. PAGE OF	REV.
				DIST	LB			A	SS67308	7

**THREE PHASE - SINGLE VOLTAGE
MOTOR - CONDUIT BOX @ 'A'**

**TO REVERSE ROTATION:
INTERCHANGE ANY TWO
LINE LEAD CONNECTIONS.**

TERMINAL BLOCK WHEN SPECIFIED



VIEW OF TERMINAL END

**IF MOTOR HAS
6 LEADS**



A-9806 DECAL

**OPTIONAL CORD
CONNECTION**



DRAWING REVISION AB	REVISION BY JJB	DATE 06-27-2017
ECO ECO-0125361	APPROVED BY TB	DATE 06-27-2017
ECO DESCRIPTION UPDATED TO CURRENT STANDARDS		
<small>COPYRIGHT REGAL BELOIT AMERICA, INC. ALL RIGHTS RESERVED. PROPRIETARY AND CONFIDENTIAL INFORMATION - THIS DOCUMENT IS THE PROPERTY OF REGAL BELOIT AMERICA, INC. ("OWNER") AND CONTAINS OWNER'S PROPRIETARY INFORMATION. ANY PERSON, CORPORATION OR OTHER FIRM RECEIVING IT IS DEEMED, BY RECEIVING IT, TO AGREE THAT IT, AND/OR ANY PART OF IT, SHALL NOT BE DISCLOSED TO ANY PERSON, CORPORATION OR OTHER ENTITY, DUPLICATED, AND/OR USED, EXCEPT AS EXPRESSLY APPROVED IN WRITING IN ADVANCE BY OWNER. THIS DOCUMENT SHALL BE RETURNED TO OWNER UPON REQUEST. IT MAY BE SUBJECT TO CERTAIN RESTRICTIONS UNDER APPLICABLE EXPORT CONTROL LAWS AND REGULATIONS.</small>		



DRAWN BY DA
DATE 03-26-1993
APPROVED BY TB
DATE 03-26-1993
REFERENCE
THIRD ANGLE PROJECTION

Regal Beloit America, Inc.	
DESCRIPTION CONNECTION DIAGRAM EXTERNAL - SINGLE VOLTAGE - 3Ø MOTOR	
MATERIAL	PROCESS/FINISH
SIZE A	DRAWING NUMBER EE7300
SHEET 1 OF 1	