

PRODUCT INFORMATION PACKET

marathon[®]
Motors

Model No: 326TTDP4340

Catalog No: U242

50 HP Close-Coupled Pump Motor, 3 phase, 1800 RPM, 230/460 V, 326JP Frame, ODP
Close-Coupled Pump Motors

Regal and Marathon are trademarks of Regal Rexnord Corporation or one of its affiliated companies.
©2021 Regal Rexnord Corporation, All Rights Reserved. MC017097E

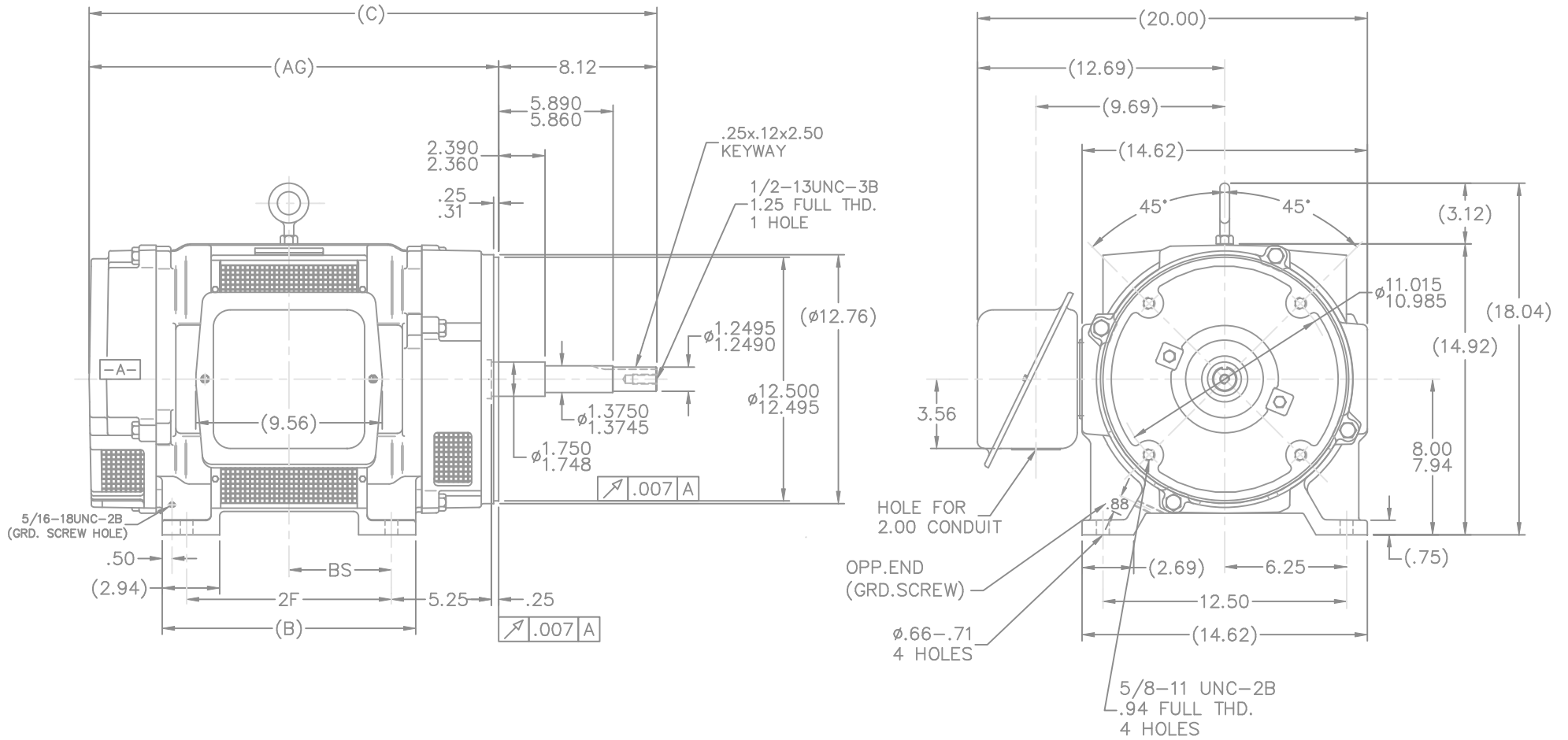
The logo for Regal Rexnord, featuring a stylized 'R' icon followed by the text 'RegalRexnord'.

Nameplate Specifications

Output HP	50 Hp	Output KW	37.0 kW
Frequency	60 Hz	Voltage	230/460 V
Current	123.0/61.5 A	Speed	1770 rpm
Service Factor	1.15	Phase	3
Efficiency	93 %	Power Factor	81.5
Duty	Continuous	Insulation Class	B
Design Code	B	KVA Code	G
Frame	326JP	Enclosure	Drip Proof
Thermal Protection	No	Ambient Temperature	40 °C
Drive End Bearing Size	6312	Opp Drive End Bearing Size	6311
UL	Recognized	CSA	Y
CE	Y	IP Code	23
Number of Speeds	1		

Technical Specifications

Electrical Type	Squirrel Cage Induction Run	Starting Method	Across The Line
Poles	4	Rotation	Reversible
Resistance Main	.125 Ohms	Mounting	Rigid Base
Motor Orientation	Horizontal	Drive End Bearing	Ball
Opp Drive End Bearing	Ball	Frame Material	Cast Iron
Shaft Type	JP	Overall Length	30.62 in
Frame Length	15.12 in	Shaft Diameter	1.250 in
Shaft Extension	8.15 in	Assembly/Box Mounting	F1/F2 Capable
Outline Drawing	B-SS200378-1512	Connection Drawing	A-EE7308



- NOTES:
 1. BOX CAN BE ROTATED IN 90° STEPS
 2. BOX CAN BE MOUNTED ON OPPOSITE SIDE BY REMOVING BRACKETS AND TURNING FRAME 180°
 3. NAMEPLATE TO BE READ FROM CONDUIT BOX SIDE OF MOTOR

DASH	FRAME	B	C	2F	BS	AG
1362	324JP	13.00	29.12	10.50	5.25	21.00
1512	326JP	14.50	30.62	12.00	6.00	22.50

			TOLERANCES UNLESS SPECIFIED		MARATHON ELECTRIC	DRAWN DA 05-22-1992						
			DEC.	INCHES		CHK	ML 05-26-1992					
7	REDRAWN IN AUTOCAD	TAT 07-13-2004	ML	.X	±.1	APPD	GK 05-26-1992					
6	ADDED .03 TO TOLERANCE BLOCK	CN 29200-1069 DRS 11-10-2000	DRS	.XX	±.03	SCALE	1=5					
5	REVISED TO NEC CONDUIT BOX	CN 28428 NJS 02-16-2000	NJS	.XXX	±.005	REF						
4	REMOVED UNDERCUTS	CN 21725-1139 DRS 12-10-1996	DRS	.XXXX	±.0005	FMF						
NO.	REVISION	BY & DATE	CHK	ANG	±7'30"	FINISH	PREV					
THIS DRAWING IN DESIGN AND DETAIL IS OUR PROPERTY AND MUST NOT BE USED EXCEPT IN CONNECTION WITH OUR WORK ALL RIGHTS OF DESIGN AND INVENTION ARE RESERVED THIS IS AN ELECTRONICALLY GENERATED DOCUMENT - DO NOT SCALE THIS PRINT						RFP	CAD FILE ss200378	SIZE	DRAWING NO.	PAGE	OF	REV.
						DIST	LB	B	SS200378	7		7

EE7308

THREE PHASE
DUAL VOLTAGE MOTOR



VIEW OF TERMINAL END

REF.
WINDING DIAGRAM

T8Y, T2Y, T2BL, T4BX, T2EC, T2G
T6BZ, T2B, T6BL, T4AV, T6B, T4B

OPTIONAL CORD
CONNECTION

L1 — WHITE
L2 — RED
L3 — BLACK

NO.	REVISION	BY & DATE	CHK	ANG	TOLERANCES UNLESS SPECIFIED		FINISH	DRAWN RM 11/20/1990				
					DEC.	INCHES						
5	CHG TO REGAL LOGO	SL 09/10/2015	AB					CHK ML 11/21/1990				
4	REVISED IEC NOTATIONS	MSG 11/15/2011	CMN	.X	±.1			APPD SAS 04/24/2003				
3	ADDED IEC NOTATIONS... (U1), (V1) ETC. MU95194	MSG 5/10/2010	MJS	.XX	±.02		TITLE CONNECTION DIAGRAM	SCALE 1=1				
2	ADDED THE OPTIONAL CORD CONNECTION MU46318	RDH 04/24/2003	DRS	.XXX	±.005		3Ø - DUAL VOLTAGE MOTOR	REF				
1	REDRAWN	RM 11/20/1990		.XXXX	±.0005		MAT'L.	FMF				
					±7'30"			PREV				
THIS DRAWING IN DESIGN AND DETAIL IS OUR PROPERTY AND MUST NOT BE USED EXCEPT IN CONNECTION WITH OUR WORK ALL RIGHTS OF DESIGN AND INVENTION ARE RESERVED THIS IS AN ELECTRONICALLY GENERATED DOCUMENT - DO NOT SCALE THIS PRINT							RFP	CAD FILE ee7308	SIZE A	DRAWING NO. EE7308	PAGE OF 5	REV. 5
							DIST WP					

