

PRODUCT INFORMATION PACKET

marathon[®]
Motors

Model No: 256TTDX4006

Catalog No: U103

25 HP Close-Coupled Pump Motor, 3 phase, 3600 RPM, 230/460 V, 256JM Frame, ODP
Close-Coupled Pump Motors

Regal and Marathon are trademarks of Regal Rexnord Corporation or one of its affiliated companies.
©2021 Regal Rexnord Corporation, All Rights Reserved. MC017097E

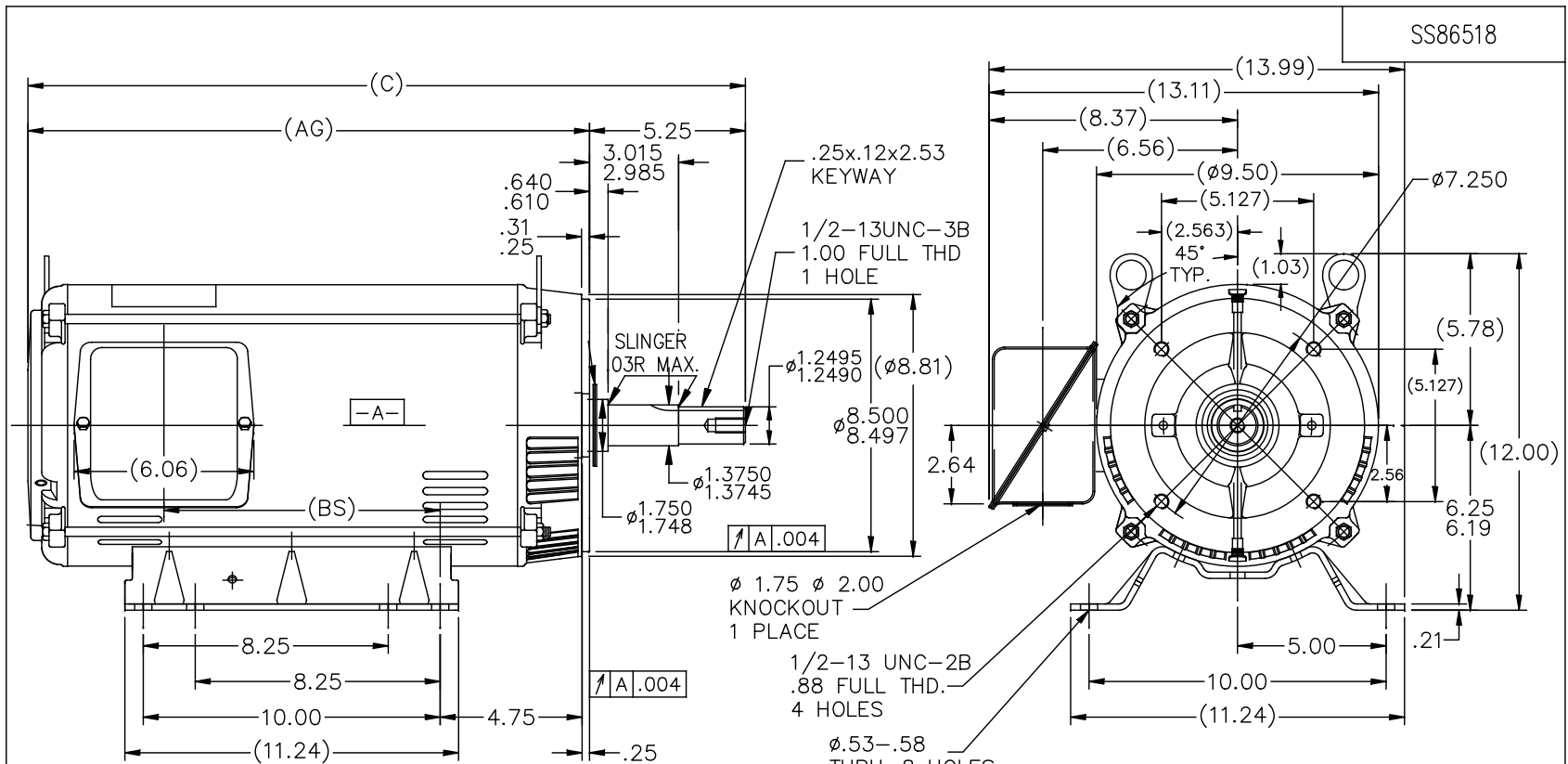
RegalRexnord

Nameplate Specifications

Output HP	25 Hp	Output KW	18.7 kW
Frequency	60 Hz	Voltage	230/460 V
Current	58.0/29.0 A	Speed	3520 rpm
Service Factor	1.15	Phase	3
Efficiency	91 %	Power Factor	88.3
Duty	Continuous	Insulation Class	B
Design Code	B	KVA Code	G
Frame	256JM	Enclosure	Drip Proof
Thermal Protection	No	Ambient Temperature	40 °C
Drive End Bearing Size	6309	Opp Drive End Bearing Size	6208
UL	Recognized	CSA	Y
CE	Y	IP Code	12
Number of Speeds	1		

Technical Specifications

Electrical Type	Squirrel Cage Induction Run	Starting Method	Across The Line
Poles	2	Rotation	Reversible
Resistance Main	.365 Ohms	Mounting	Rigid Base
Motor Orientation	Horizontal	Drive End Bearing	Ball
Opp Drive End Bearing	Ball	Frame Material	Rolled Steel
Shaft Type	JM	Overall Length	24.17 in
Frame Length	15.15 in	Shaft Diameter	1.250 in
Shaft Extension	5.25 in	Assembly/Box Mounting	F1/F2 Capable
Outline Drawing	A-SS86518-1515	Connection Drawing	A-EE7308



DASH	FR.	C	BS	AG	MOUNTING
1340	254JM	22.42	7.68	17.17	F1 OR F2
1515	254/256JM	24.17	9.43	18.92	F1 OR F2

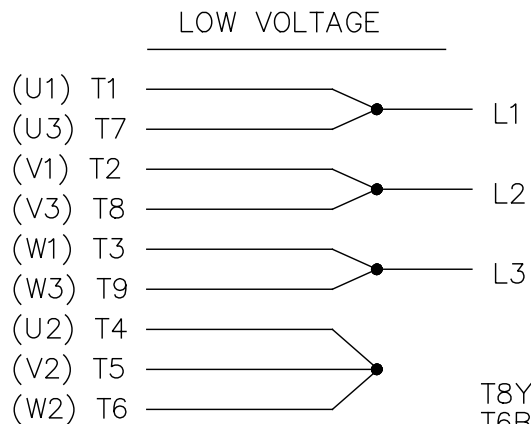
NOTES:

1. NAMEPLATE TO BE READ FROM C'BOX SIDE OF MOTOR.
2. BOX CAN BE MOUNTED IN 90° STEPS.
3. BOX CAN BE MOUNTED ON OPPOSITE SIDE BY REMOVING BRACKETS AND TURNING FRAME 180°. (EXCEPT AS NOTED.)

		TOLERANCES UNLESS SPECIFIED		REGAL™ Regal Beloit America, Inc.		DRAWN DJK 10-19-1993	
		DEC.	INCHES			CHK	ML 10-22-1993
		.X	±.1			APPD	DRN 10-22-1993
7	UPDATED REGAL LOGO	AS	SR .XX	±.03	TITLE	SCALE	1=5
6	UPDATED DRAWING	TJW 04/27/2007	.XXX	±.005	OUTLINE	REF	
5	ADDED 14.08 DIMENSION TO FRONT VIEW	RJW 12-09-2005	ML .XXXX	±.0005	250 JM FR. - BB - TS - DR.PR. - 'C' FACE	FMF	
NO.	REVISION	BY & DATE	CHK	ANG	MAT'L. "JM EXT."	PREV	
THIS DRAWING IN DESIGN AND DETAIL IS OUR PROPERTY AND MUST NOT BE USED EXCEPT IN CONNECTION WITH OUR WORK ALL RIGHTS OF DESIGN AND INVENTION ARE RESERVED THIS IS AN ELECTRONICALLY GENERATED DOCUMENT - DO NOT SCALE THIS PRINT			RFP	CAD FILE	ss86518	SIZE	DRAWING NO. PAGE OF REV.
			DIST	LB		A	SS86518 7

EE7308

THREE PHASE
DUAL VOLTAGE MOTOR



VIEW OF TERMINAL END

REF.
WINDING DIAGRAM

T8Y, T2Y, T2BL, T4BX, T2EC, T2G
T6BZ, T2B, T6BL, T4AV, T6B, T4B

OPTIONAL CORD
CONNECTION

L1 — WHITE
L2 — RED
L3 — BLACK

NO.	REVISION	BY & DATE	CHK	ANG	TOLERANCES UNLESS SPECIFIED		FINISH	DRAWN RM 11/20/1990				
					DEC.	INCHES						
5	CHG TO REGAL LOGO	SL 09/10/2015	AB					CHK ML 11/21/1990				
4	REVISED IEC NOTATIONS	MSG 11/15/2011	CMN	.X	±.1			APPD SAS 04/24/2003				
3	ADDED IEC NOTATIONS... (U1), (V1) ETC. MU95194	MSG 5/10/2010	MJS	.XX	±.02		TITLE CONNECTION DIAGRAM	SCALE 1=1				
2	ADDED THE OPTIONAL CORD CONNECTION MU46318	RDH 04/24/2003	DRS	.XXX	±.005		3Ø - DUAL VOLTAGE MOTOR	REF				
1	REDRAWN	RM 11/20/1990		.XXXX	±.0005		MAT'L.	FMF				
					±7'30"			PREV				
THIS DRAWING IN DESIGN AND DETAIL IS OUR PROPERTY AND MUST NOT BE USED EXCEPT IN CONNECTION WITH OUR WORK ALL RIGHTS OF DESIGN AND INVENTION ARE RESERVED THIS IS AN ELECTRONICALLY GENERATED DOCUMENT - DO NOT SCALE THIS PRINT							RFP	CAD FILE ee7308	SIZE A	DRAWING NO. EE7308	PAGE OF 5	REV. 5
							DIST WP					



Regal Beloit America, Inc.