

PRODUCT INFORMATION PACKET

marathon[®]
Motors

Model No: 215TTGS4001

Catalog No: U063

10 HP Definite Purpose AC Motor, 3 phase, 3600 RPM, 230/460 V, 215T Frame, EPFC
Other Purpose Motors

Regal and Marathon are trademarks of Regal Rexnord Corporation or one of its affiliated companies.
©2021 Regal Rexnord Corporation, All Rights Reserved. MC017097E

The logo for Regal Rexnord, featuring a stylized 'R' icon followed by the text 'RegalRexnord'.

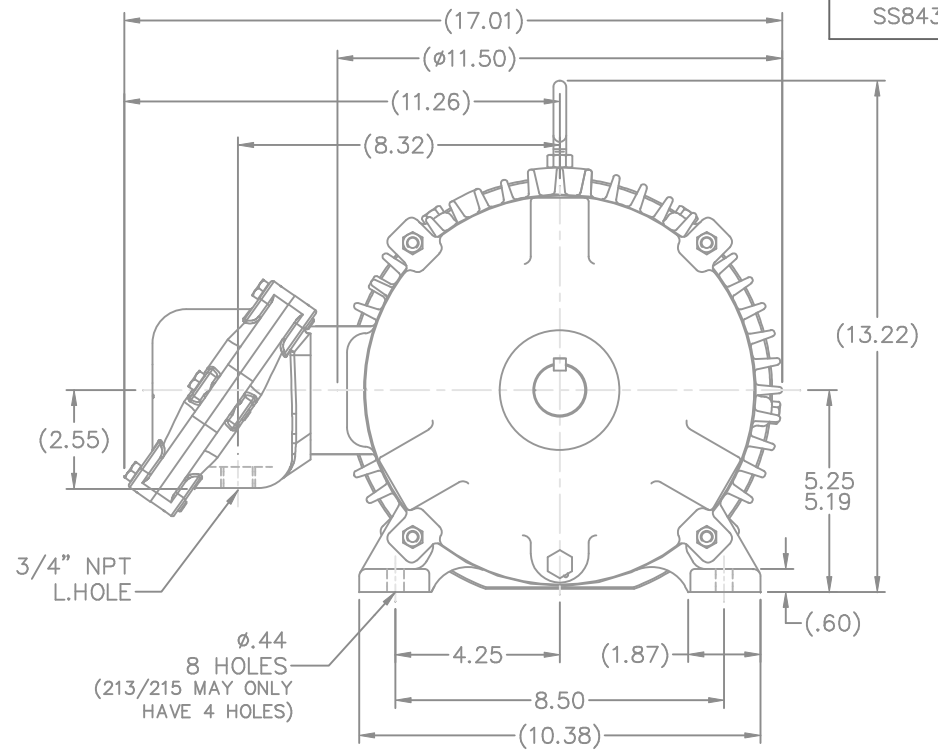
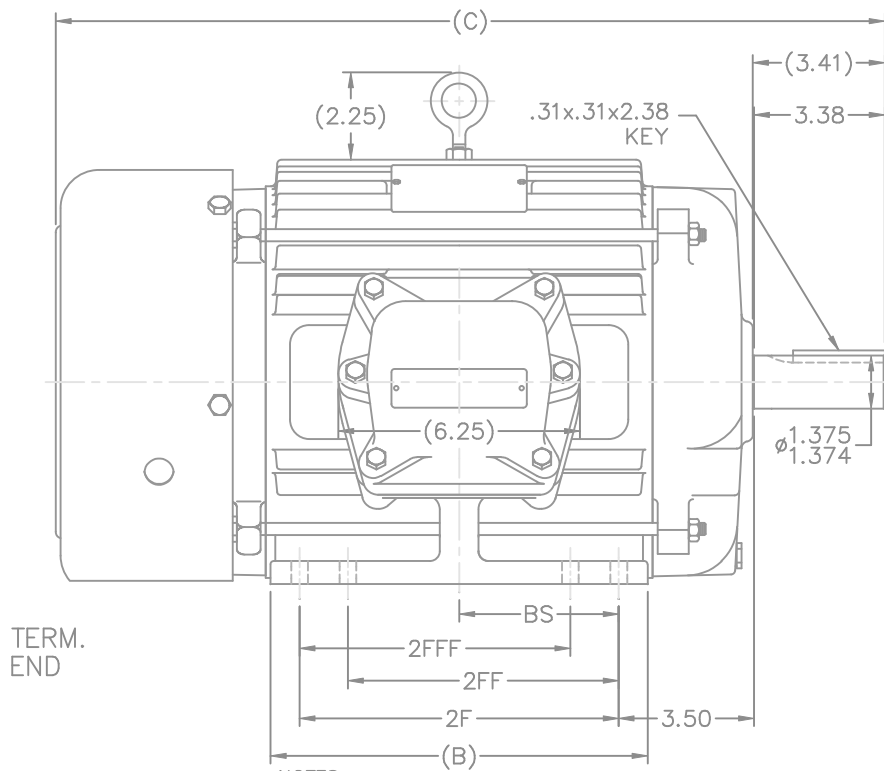
Nameplate Specifications

Output HP	10 Hp	Output KW	7.5 kW
Frequency	60 Hz	Voltage	230/460 V
Current	24.0/12.0 A	Speed	3525 rpm
Service Factor	1.15	Phase	3
Efficiency	90.2 %	Power Factor	87
Duty	Continuous	Insulation Class	F
Design Code	B	KVA Code	G
Frame	215T	Enclosure	Explosion Proof Fan cooled
Thermal Protection	No	Ambient Temperature	40 °C
Drive End Bearing Size	6307	Opp Drive End Bearing Size	6206
UL	Listed	CSA	Y
CE	N	IP Code	54
Number of Speeds	1		

Technical Specifications

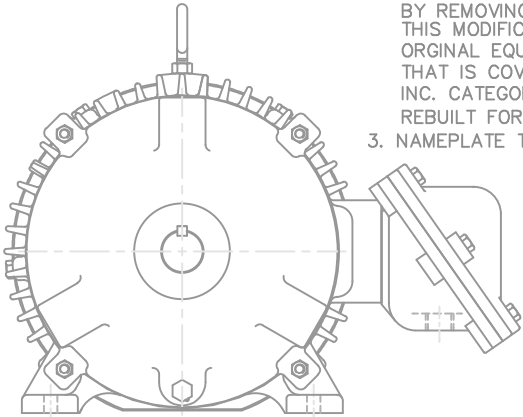
Electrical Type	Squirrel Cage Inverter Rated	Starting Method	Line Or Inverter
Poles	2	Rotation	Reversible
Resistance Main	.945 Ohms	Mounting	Rigid Base
Motor Orientation	Horizontal	Drive End Bearing	Ball
Opp Drive End Bearing	Ball	Frame Material	Cast Iron
Shaft Type	T	Overall Length	20.91 in
Frame Length	10.00 in	Shaft Diameter	1.375 in
Shaft Extension	3.41 in	Assembly/Box Mounting	F1 ONLY
Inverter Load	CONSTANT 10:1		
Connection Drawing	A-EE7308T	Outline Drawing	B-SS84370-1000

This is an uncontrolled document once printed or downloaded and is subject to change without notice. Date Created:10/06/2021



NOTES:

1. CONDUIT BOX CAN BE ROTATED IN 90° STEPS.
2. CONDUIT BOX CAN BE MOUNTED ON OPPOSITE SIDE BY REMOVING BRACKETS AND TURNING FRAME 180°. THIS MODIFICATION CAN BE PERFORMED ONLY BY THE ORIGINAL EQUIPMENT MANUFACTURER, OR BY A FACILITY THAT IS COVERED UNDER UNDERWRITERS LABORATORIES INC. CATEGORY PTKQ, TITLED "MOTORS AND GENERATORS, REBUILT FOR USE IN HAVARDOUS LOCATION".
3. NAMEPLATE TO BE READ FROM CONDUIT BOX SIDE OF MOTOR.



F2 MOUNTING

DASH	FRAME	B	2F	2FF	2FFF	BS	C	
							CAST FAN GUARD	STEEL FAN GUARD
725	213T	7.00	5.50	-	-	2.75	18.16	18.68
875	215T	8.50	7.00	-	-	3.50	19.66	20.18
875	213/5T	8.50	7.00	5.50	5.50	3.50	19.66	20.18
1000	213T	9.75	8.25	5.50	5.50	4.12	20.91	21.43
1000	215T	9.75	8.25	7.00	7.00	4.12	20.91	21.43

NO.	REVISION	BY & DATE	CHK	ANG	±	TOLERANCES UNLESS SPECIFIED	MARATHON ELECTRIC	TITLE OUTLINE 210T FR. - EXP. PR.	DRAWN DT 08-25-1995			
										INCHES	ML	DEC.
9	REVISE FRAME TO C'BOX LOCATION PER PARTS	RWR 07-10-2007										
8	UPDATED DRAWING	TJW 04-27-2007	ML						CHK ML 08-29-1995			
7	MODIFIED NOTE AS PER CN 40800	TJW 01-10-2007	ML	.X	±.1				APPD GK 08-29-1995			
6	REDRAWN IN AUTOCAD	TAT 06-29-2004	ML	.XX	±.03				SCALE 5=16			
5	REVISED DASH TABLE AND FOOT HOLE DIMENSIONS			.XXX	±.005				REF			
	WAS "A" SIZE	CN 27451 MRB 03-25-1999		.XXXX	±.0005				FMF			
				ANG	±'730"				PREV			
THIS DRAWING IN DESIGN AND DETAIL IS OUR PROPERTY AND MUST NOT BE USED EXCEPT IN CONNECTION WITH OUR WORK ALL RIGHTS OF DESIGN AND INVENTION ARE RESERVED THIS IS AN ELECTRONICALLY GENERATED DOCUMENT - DO NOT SCALE THIS PRINT							RFP	CAD FILE ss84370	SIZE B	DRAWING NO. SS84370	PAGE OF 9	REV. 9

HIGH VOLTAGE



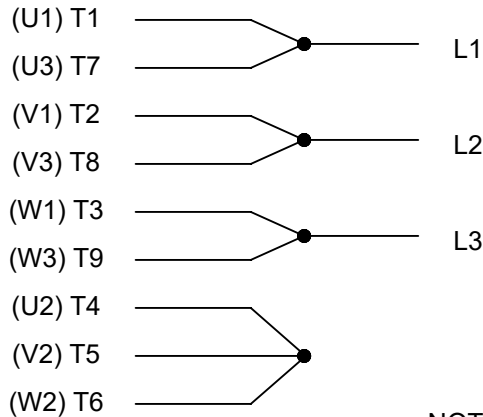
**THREE PHASE
DUAL VOLTAGE MOTOR**

THERMO-PROTECTORS
CONNECTED IN SERIES



NOTE FOR FACTORY USE ONLY:
TO SURGE TEST FOR COMMON CONNECT:
HIGH VOLT: CONNECT P1 TO T1
THEN P2 TO L1
LOW VOLT: CONNECT P1 TO T1 & T7,
THEN P2 TO L1

LOW VOLTAGE



VIEW OF TERMINAL END

NOTE: LEAD'S COLOR CAN BE YELLOW OR WHITE FOR MT2 PLANT

DRAWING REVISION T	REVISION BY ZR	DATE 01-14-2019		DRAWN BY SMC	Regal Beloit America, Inc.
ECO ECO-0159915	APPROVED BY DR	DATE 01-15-2019		DATE 05-13-1992	
ECO DESCRIPTION ADDED TERMINAL CONNECTION DIAGRAM				APPROVED BY TB	DESCRIPTION CONN DIAGRAM-INTERNAL 3 PHASE - DUAL VOLTAGE MOTOR
<small>COPYRIGHT REGAL BELOIT AMERICA, INC. ALL RIGHTS RESERVED. PROPRIETARY AND CONFIDENTIAL INFORMATION - THIS DOCUMENT IS THE PROPERTY OF REGAL BELOIT AMERICA, INC. ("OWNER") AND CONTAINS OWNER'S PROPRIETARY INFORMATION. ANY PERSON, CORPORATION OR OTHER FIRM RECEIVING IT IS DEEMED, BY RECEIVING IT, TO AGREE THAT IT, AND/OR ANY PART OF IT, SHALL NOT BE DISCLOSED TO ANY PERSON, CORPORATION OR OTHER ENTITY, DUPLICATED, AND/OR USED, EXCEPT AS EXPRESSLY APPROVED IN WRITING IN ADVANCE BY OWNER. THIS DOCUMENT SHALL BE RETURNED TO OWNER UPON REQUEST. IT MAY BE SUBJECT TO CERTAIN RESTRICTIONS UNDER APPLICABLE EXPORT CONTROL LAWS AND REGULATIONS.</small>			DATE 05-13-1992	MATERIAL	PROCESS/FINISH
			REFERENCE EE7308/EE7300	THIRD ANGLE PROJECTION	SIZE A