

PRODUCT INFORMATION PACKET

marathon[®]
Motors

Model No: 215TTFW7044

Catalog No: M885

10 HP Definite Purpose AC Motor, 3 phase, 1800 RPM, 230/460 V, 215HPV Frame, TEFC
Other Purpose Motors

Regal and Marathon are trademarks of Regal Rexnord Corporation or one of its affiliated companies.
©2021 Regal Rexnord Corporation, All Rights Reserved. MC017097E

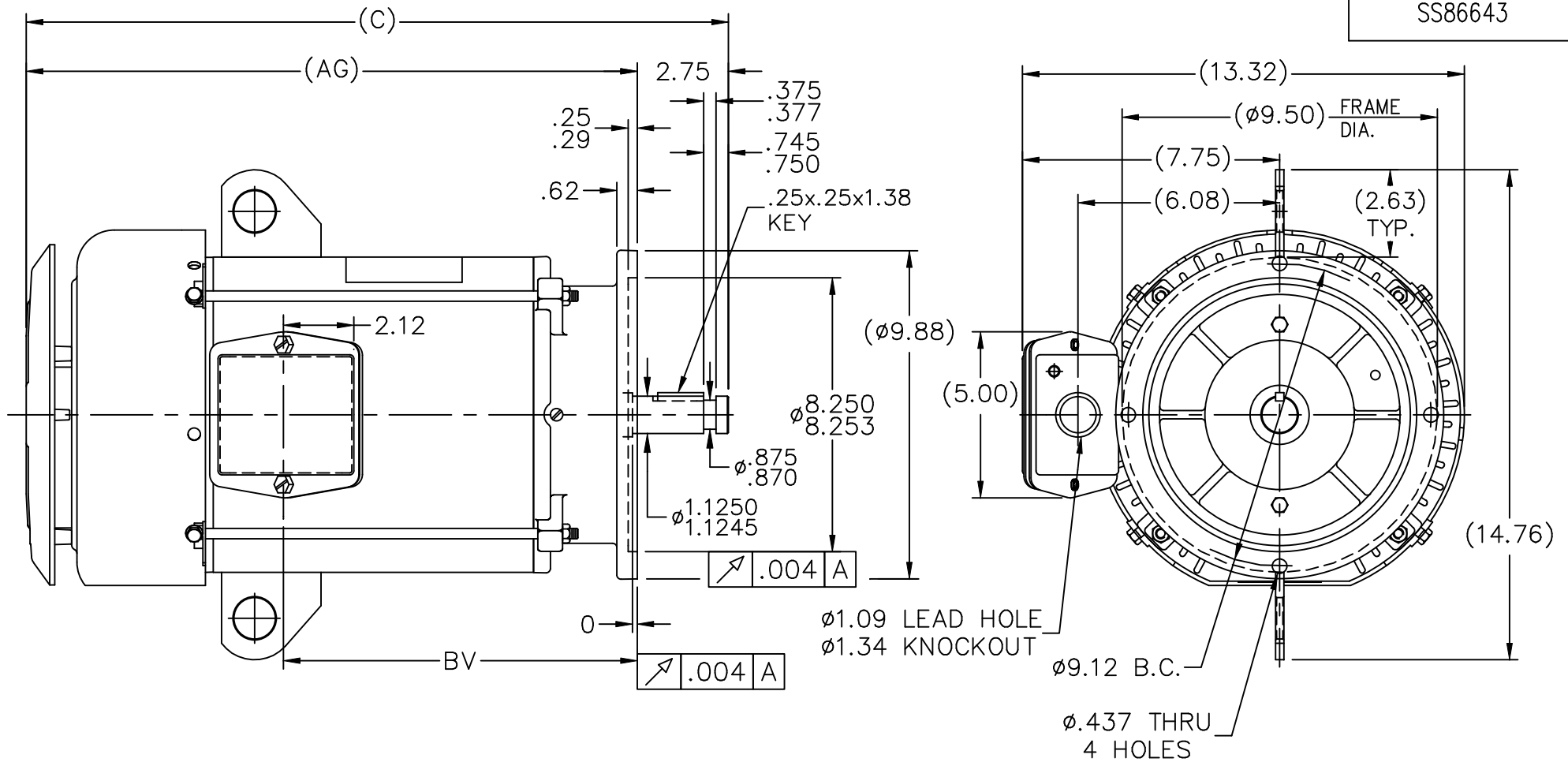
RegalRexnord

Nameplate Specifications

Output HP	10 Hp	Output KW	7.5 kW
Frequency	60 Hz	Voltage	230/460 V
Current	25.0/12.5 A	Speed	1740 rpm
Service Factor	1.15	Phase	3
Efficiency	88.5 %	Power Factor	83.5
Duty	Continuous	Insulation Class	F
Design Code	B	KVA Code	H
Frame	215HPV	Enclosure	Totally Enclosed Fan Cooled
Thermal Protection	No	Ambient Temperature	40 °C
Drive End Bearing Size	6309	Opp Drive End Bearing Size	6206
UL	Recognized	CSA	Y
CE	Y	IP Code	43
Number of Speeds	1		

Technical Specifications

Electrical Type	Squirrel Cage Induction Run	Starting Method	Across The Line
Poles	4	Rotation	Reversible
Resistance Main	1.2 Ohms	Mounting	Round
Motor Orientation	Shaft Down	Drive End Bearing	Ball
Opp Drive End Bearing	Ball	Frame Material	Rolled Steel
Shaft Type	HP	Overall Length	23.91 in
Frame Length	12.40 in	Shaft Diameter	1.125 in
Shaft Extension	2.75 in	Assembly/Box Mounting	F1/F2 CAPABLE
Outline Drawing	A-SS86643-1240	Connection Drawing	A-EE7308



DASH	FR.	C	AG	BV
965	213T	21.16	18.41	10.66
1115	213/15T	22.66	19.91	12.16
1240	213/15T	23.91	21.16	13.41

- NOTES:
- NAMEPLATE TO BE READ FROM SHAFT EXT. END OF MOTOR.
 - BOX CAN BE MOUNTED IN 90° STEPS.

NO.	REVISION	BY & DATE	CHK	ANG	TOLERANCES UNLESS SPECIFIED		MARATHON ELECTRIC	DRAWN MRB 11-05-1996			
					DEC.	INCHES					
7	UPDATED DRAWING	TJW 04/30/2007			DEC.	INCHES	TITLE OUTLINE 210T FR.-TEFC-P' BASE-R/S FRAME	CHK ML 11-07-1996			
6	REDRAWN IN AUTOCAD	TAT 07-22-2004	ML	.X				APPD DN 11-08-1996			
5	ADDED $\phi 9.12$ B.C. & $\phi .437$ (4) HOLES	CN 29200-1501	HLB	02-27-2001	.XX	$\pm .03$	SCALE 7=32				
4	UPDATED C' BOX GEOMETRY	CN 28425	DRS	01-31-2000	.XXX	$\pm .005$		REF			
3	REMOVED GROUND SCREW FROM FRAME	CN 24453	MJD	10-01-1997	.XXXX	$\pm .0005$	MAT'L.	FMF			
							FINISH	PREV			
THIS DRAWING IN DESIGN AND DETAIL IS OUR PROPERTY AND MUST NOT BE USED EXCEPT IN CONNECTION WITH OUR WORK ALL RIGHTS OF DESIGN AND INVENTION ARE RESERVED THIS IS AN ELECTRONICALLY GENERATED DOCUMENT - DO NOT SCALE THIS PRINT					RFP	CAD FILE ss86643		SIZE A	DRAWING NO. SS86643	PAGE OF	REV. 7
					DIST LB						

EE7308

THREE PHASE
DUAL VOLTAGE MOTOR



VIEW OF TERMINAL END

REF.
WINDING DIAGRAM

T8Y, T2Y, T2BL, T4BX, T2EC, T2G
T6BZ, T2B, T6BL, T4AV, T6B, T4B

OPTIONAL CORD
CONNECTION

L1 — WHITE
L2 — RED
L3 — BLACK

NO.	REVISION	BY & DATE	CHK	ANG	TOLERANCES UNLESS SPECIFIED		FINISH	DRAWN RM 11/20/1990				
					DEC.	INCHES						
5	CHG TO REGAL LOGO	SL 09/10/2015	AB					CHK ML 11/21/1990				
4	REVISED IEC NOTATIONS	MSG 11/15/2011	CMN	.X	±.1			APPD SAS 04/24/2003				
3	ADDED IEC NOTATIONS... (U1), (V1) ETC. MU95194	MSG 5/10/2010	MJS	.XX	±.02		TITLE CONNECTION DIAGRAM	SCALE 1=1				
2	ADDED THE OPTIONAL CORD CONNECTION MU46318	RDH 04/24/2003	DRS	.XXX	±.005		3Ø - DUAL VOLTAGE MOTOR	REF				
1	REDRAWN	RM 11/20/1990		.XXXX	±.0005		MAT'L.	FMF				
					±7'30"			PREV				
THIS DRAWING IN DESIGN AND DETAIL IS OUR PROPERTY AND MUST NOT BE USED EXCEPT IN CONNECTION WITH OUR WORK ALL RIGHTS OF DESIGN AND INVENTION ARE RESERVED THIS IS AN ELECTRONICALLY GENERATED DOCUMENT - DO NOT SCALE THIS PRINT							RFP	CAD FILE ee7308	SIZE A	DRAWING NO. EE7308	PAGE OF 5	REV. 5
							DIST WP					



Regal Beloit America, Inc.