

# PRODUCT INFORMATION PACKET

**marathon**<sup>®</sup>  
Motors

Model No: 215TTDW4014

Catalog No: U205

15 HP Close-Coupled Pump Motor, 3 phase, 3600 RPM, 575 V, 215JP Frame, ODP  
Close-Coupled Pump Motors

Regal and Marathon are trademarks of Regal Rexnord Corporation or one of its affiliated companies.  
©2021 Regal Rexnord Corporation, All Rights Reserved. MC017097E

**RegalRexnord**

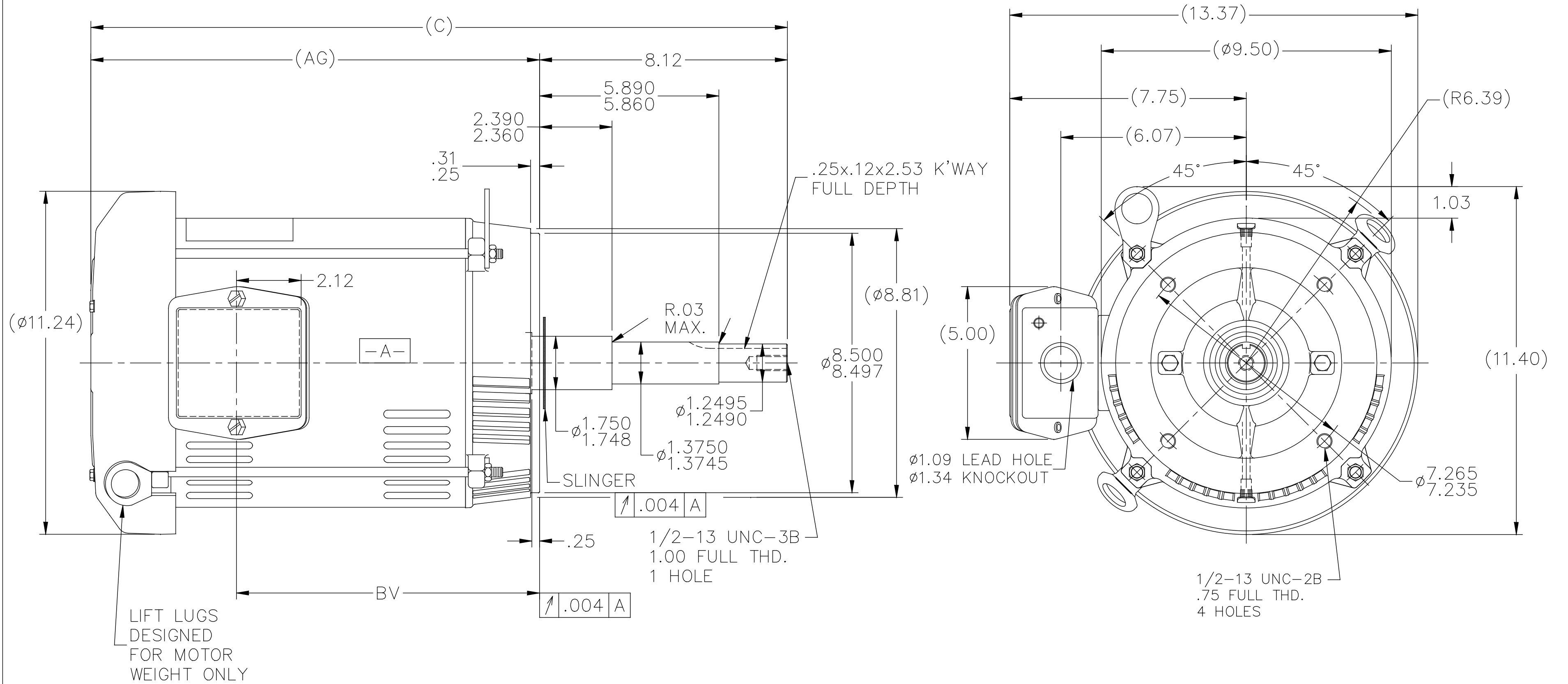
### Nameplate Specifications

Output HP	<b>15 Hp</b>	Output KW	<b>11.2 kW</b>
Frequency	<b>60 Hz</b>	Voltage	<b>575 V</b>
Current	<b>13.6 A</b>	Speed	<b>3510 rpm</b>
Service Factor	<b>1.15</b>	Phase	<b>3</b>
Efficiency	<b>90.2 %</b>	Power Factor	<b>91</b>
Duty	<b>Continuous</b>	Insulation Class	<b>B</b>
Design Code	<b>B</b>	KVA Code	<b>G</b>
Frame	<b>215JP</b>	Enclosure	<b>Drip Proof</b>
Thermal Protection	<b>No</b>	Ambient Temperature	<b>40 °C</b>
Drive End Bearing Size	<b>6309</b>	Opp Drive End Bearing Size	<b>6206</b>
UL	<b>Recognized</b>	CSA	<b>Y</b>
CE	<b>Y</b>	IP Code	<b>22</b>
Number of Speeds	<b>1</b>		

### Technical Specifications


Electrical Type	<b>Squirrel Cage Induction Run</b>	Starting Method	<b>Across The Line</b>
Poles	<b>2</b>	Rotation	<b>Reversible</b>
Resistance Main	<b>.825 Ohms</b>	Mounting	<b>Round</b>
Motor Orientation	<b>Shaft Down</b>	Drive End Bearing	<b>Ball</b>
Opp Drive End Bearing	<b>Ball</b>	Frame Material	<b>Rolled Steel</b>
Shaft Type	<b>JP</b>	Overall Length	<b>25.56 in</b>
Frame Length	<b>12.40 in</b>	Shaft Diameter	<b>1.250 in</b>
Shaft Extension	<b>8.12 in</b>	Assembly/Box Mounting	<b>F1 ONLY</b>
Outline Drawing	<b>B-SS86615-1240</b>	Connection Drawing	<b>A-EE7300</b>

SS86615



- NOTES:  
 1. NAMEPLATE TO BE READ FROM SHAFT EXT. END OF MOTOR.  
 2. CONDUIT BOX CAN BE MOUNTED IN 90° STEPS.

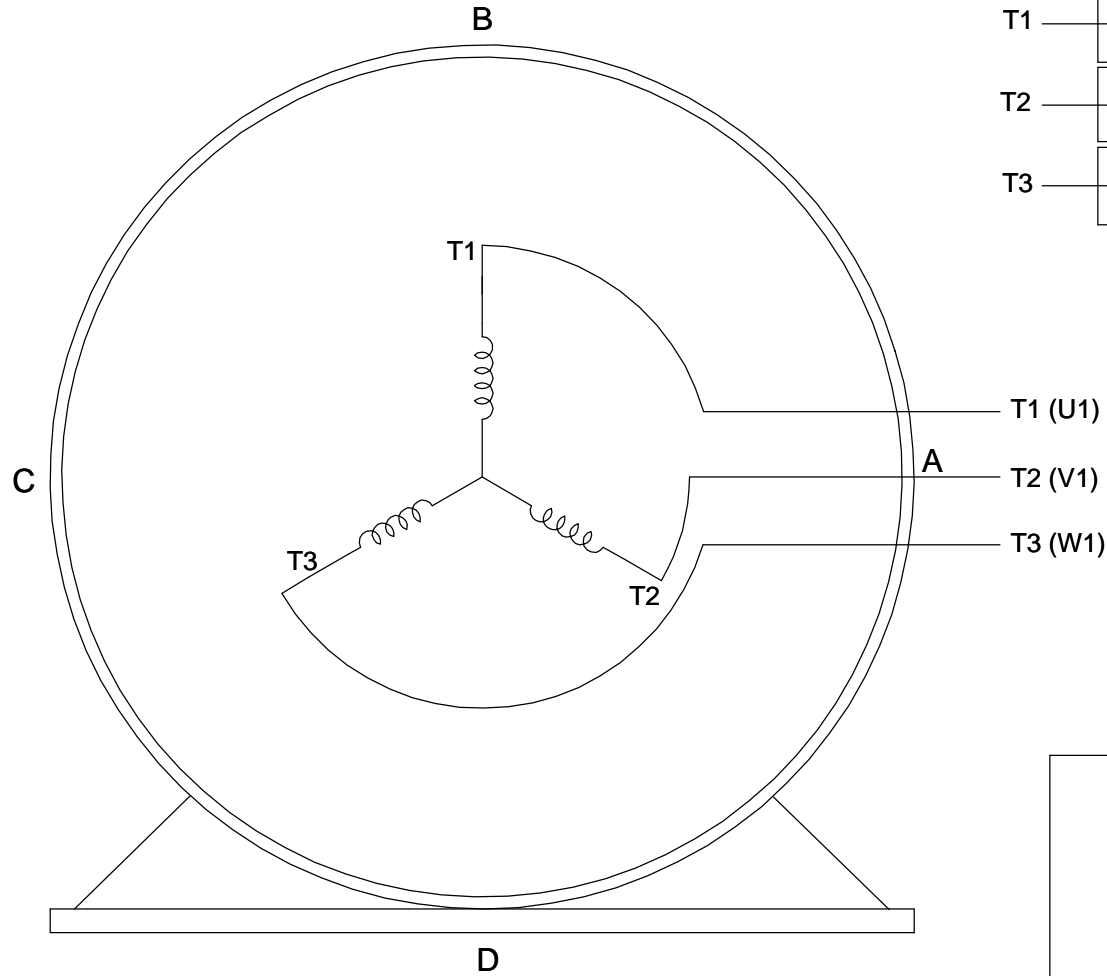
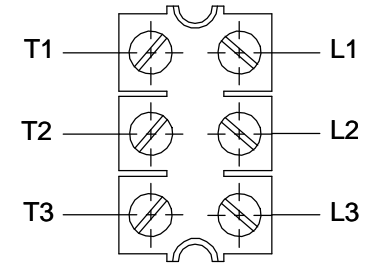
DASH	FRAME	C	AG	BV	MOUNTING
965	213JP	22.81	14.69	9.93	
1115	213/15JP	24.31	16.19	11.43	
1240	213/15JP	25.56	17.44	12.68	

NO.	REVISION	BY & DATE	CHK	ANG	FINISH	TOLERANCES UNLESS SPECIFIED				DRAWN MRB 05-07-1996
						DEC.	INCHES	CHK	ML	
9	UPDATED DRAWING	TJW 04/30/2007				 <b>Regal Beloit America, Inc.</b>				
8	REDRAWN IN AUTOCAD	TAT 07-13-2004	ML	DEC.	INCHES		CHK	ML	05-17-1996	
7	UPDATED C'BOX GEOMETRY CN 28425	DRS 01-31-2000		.X	±.1		APPD	DN	05-17-1996	
6	REMOVED REF. FROM 8.12 DIMENSION CN 27400-311	BLR 08-18-1999		.XX	±.03		TITLE OUTLINE - C' FACE		SCALE	5=16
5	REMOVED NOTE: "BOX CAN BE MOUNTED ON OPPOSITE SIDE OF MOTOR" CN 23925-459	MJD 09-02-1997		.XXX	±.005		210JP FR. - BB - TS - DR.PR.		REF	
				.XXXX	±.0005		MAT'L.		FMF	
THIS DRAWING IN DESIGN AND DETAIL IS OUR PROPERTY AND MUST NOT BE USED EXCEPT IN CONNECTION WITH OUR WORK ALL RIGHTS OF DESIGN AND INVENTION ARE RESERVED THIS IS AN ELECTRONICALLY GENERATED DOCUMENT - DO NOT SCALE THIS PRINT						RFP	CAD FILE ss86615		SIZE	DRAWING NO. PAGE OF REV.
						DIST	LB	B	SS86615	9

**THREE PHASE - SINGLE VOLTAGE  
MOTOR - CONDUIT BOX @ 'A'**

**TO REVERSE ROTATION:  
INTERCHANGE ANY TWO  
LINE LEAD CONNECTIONS.**

**TERMINAL BLOCK WHEN SPECIFIED**



**VIEW OF TERMINAL END**

**IF MOTOR HAS  
6 LEADS**



A-9806 DECAL

**OPTIONAL CORD  
CONNECTION**



DRAWING REVISION AB	REVISION BY JJB	DATE 06-27-2017
ECO ECO-0125361	APPROVED BY TB	DATE 06-27-2017
ECO DESCRIPTION <b>UPDATED TO CURRENT STANDARDS</b>		
<small>COPYRIGHT REGAL BELOIT AMERICA, INC. ALL RIGHTS RESERVED.                  PROPRIETARY AND CONFIDENTIAL INFORMATION - THIS DOCUMENT IS THE PROPERTY OF                  REGAL BELOIT AMERICA, INC. ("OWNER") AND CONTAINS OWNER'S PROPRIETARY                  INFORMATION. ANY PERSON, CORPORATION OR OTHER FIRM RECEIVING IT IS DEEMED,                  BY RECEIVING IT, TO AGREE THAT IT, AND/OR ANY PART OF IT, SHALL NOT BE DISCLOSED                  TO ANY PERSON, CORPORATION OR OTHER ENTITY, DUPLICATED, AND/OR USED, EXCEPT                  AS EXPRESSLY APPROVED IN WRITING IN ADVANCE BY OWNER. THIS DOCUMENT SHALL                  BE RETURNED TO OWNER UPON REQUEST. IT MAY BE SUBJECT TO CERTAIN                  RESTRICTIONS UNDER APPLICABLE EXPORT CONTROL LAWS AND REGULATIONS.</small>		



DRAWN BY DA
DATE 03-26-1993
APPROVED BY TB
DATE 03-26-1993
REFERENCE
THIRD ANGLE PROJECTION

Regal Beloit America, Inc.	
DESCRIPTION <b>CONNECTION DIAGRAM</b> EXTERNAL - SINGLE VOLTAGE - 3Ø MOTOR	
MATERIAL	PROCESS/FINISH
SIZE <b>A</b>	DRAWING NUMBER <b>EE7300</b>
SHEET <b>1 OF 1</b>	