

PRODUCT INFORMATION PACKET

Model No: 056S17D2060

Catalog No: D164

0.75 HP Fan and Blower HVAC/R Motor, 1 phase, 1800 RPM, 115 V, 56 Frame, ODP
Other Fan and Blower Motors



Regal and Marathon are trademarks of Regal Beloit Corporation or one of its affiliated companies.
©2019 Regal Beloit Corporation, All Rights Reserved. MC017097E

REGAL

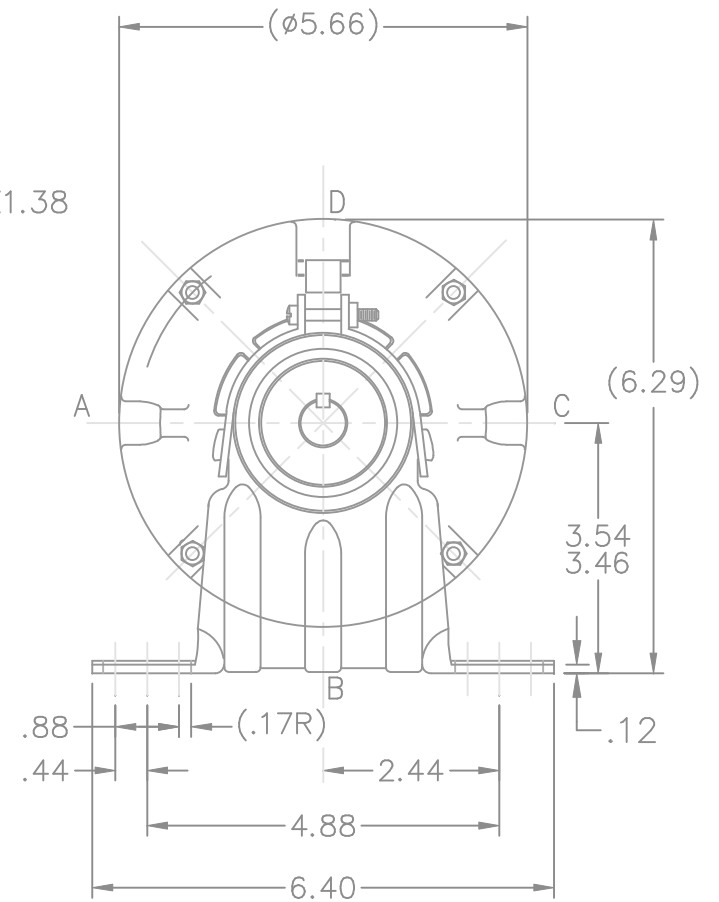
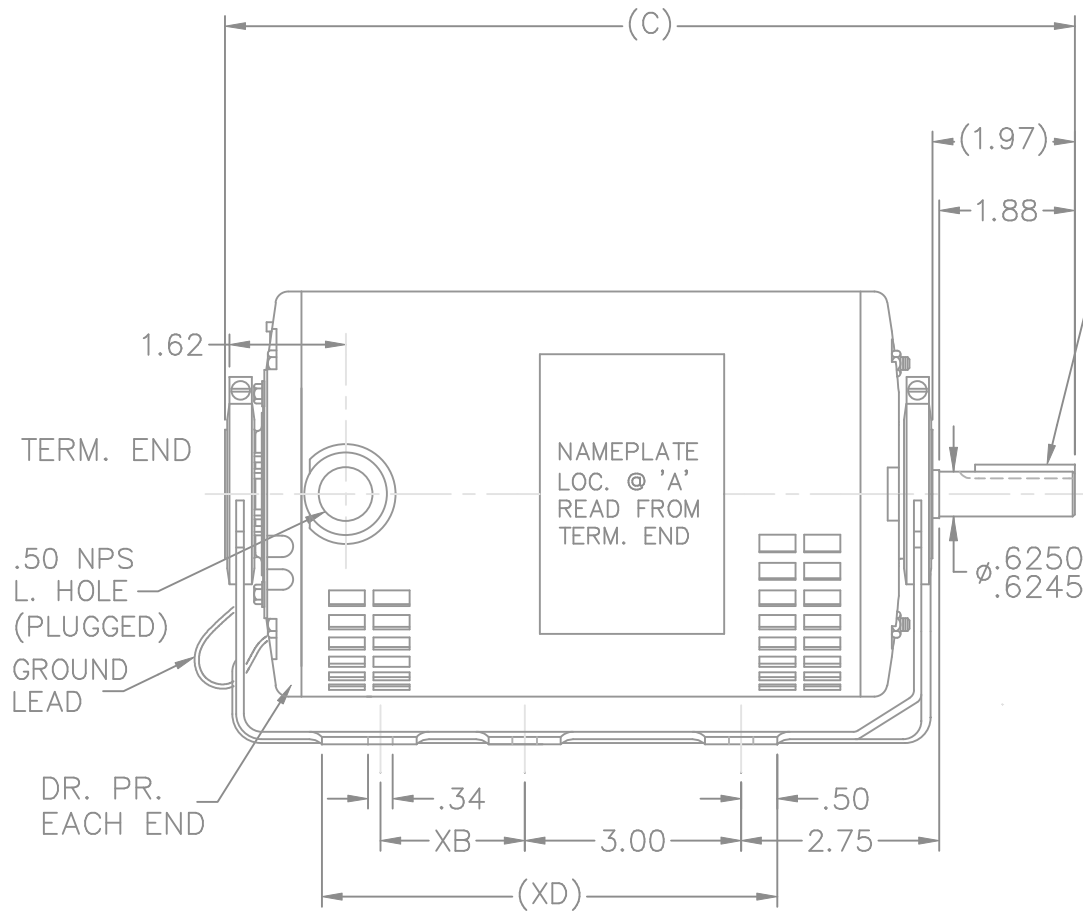
Nameplate Specifications

Output HP	0.75 Hp	Output KW	0.56 kW
Frequency	60 Hz	Voltage	115 V
Current	10.6 A	Speed	1725 rpm
Service Factor	1.15	Phase	1
Efficiency	70 %	Power Factor	65.5
Duty	Continuous	Insulation Class	B
Design Code	No Design Code	KVA Code	K
Frame	56	Enclosure	Drip Proof
Thermal Protection	Automatic	Ambient Temperature	40 °C
Drive End Bearing Size	6203	Opp Drive End Bearing Size	6203
UL	Recognized	CSA	Y
CE	Y	IP Code	22


Technical Specifications

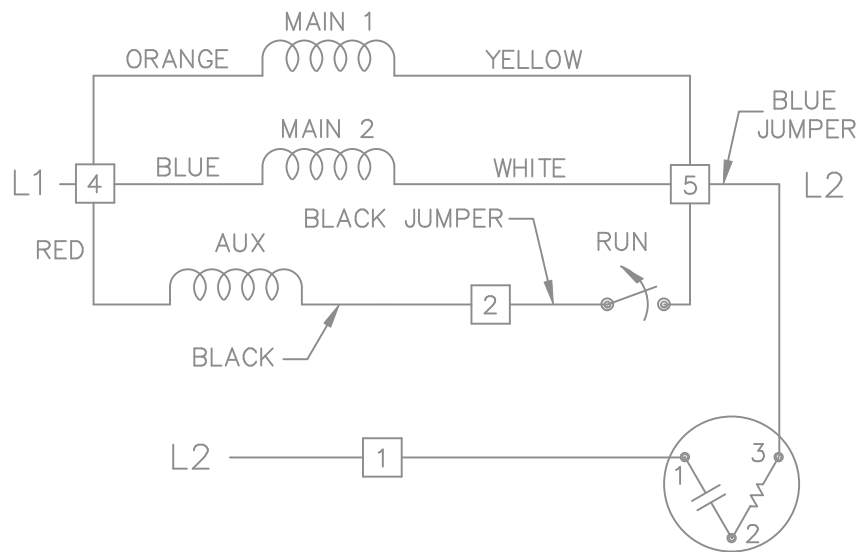
Electrical Type	Split Phase	Starting Method	Across The Line
Poles	4	Rotation	Selective Counterclockwise
Resistance Main	0 Ohms	Mounting	Resilient Base
Motor Orientation	Horizontal	Drive End Bearing	Ball
Opp Drive End Bearing	Ball	Frame Material	Rolled Steel
Shaft Type	NEMA 56	Overall Length	11.72 in
Frame Length	7.75 in	Shaft Diameter	0.625 in
Shaft Extension	1.88 in	Assembly/Box Mounting	F1 Only

This is an uncontrolled document once printed or downloaded and is subject to change without notice. Date Created:01/11/2019

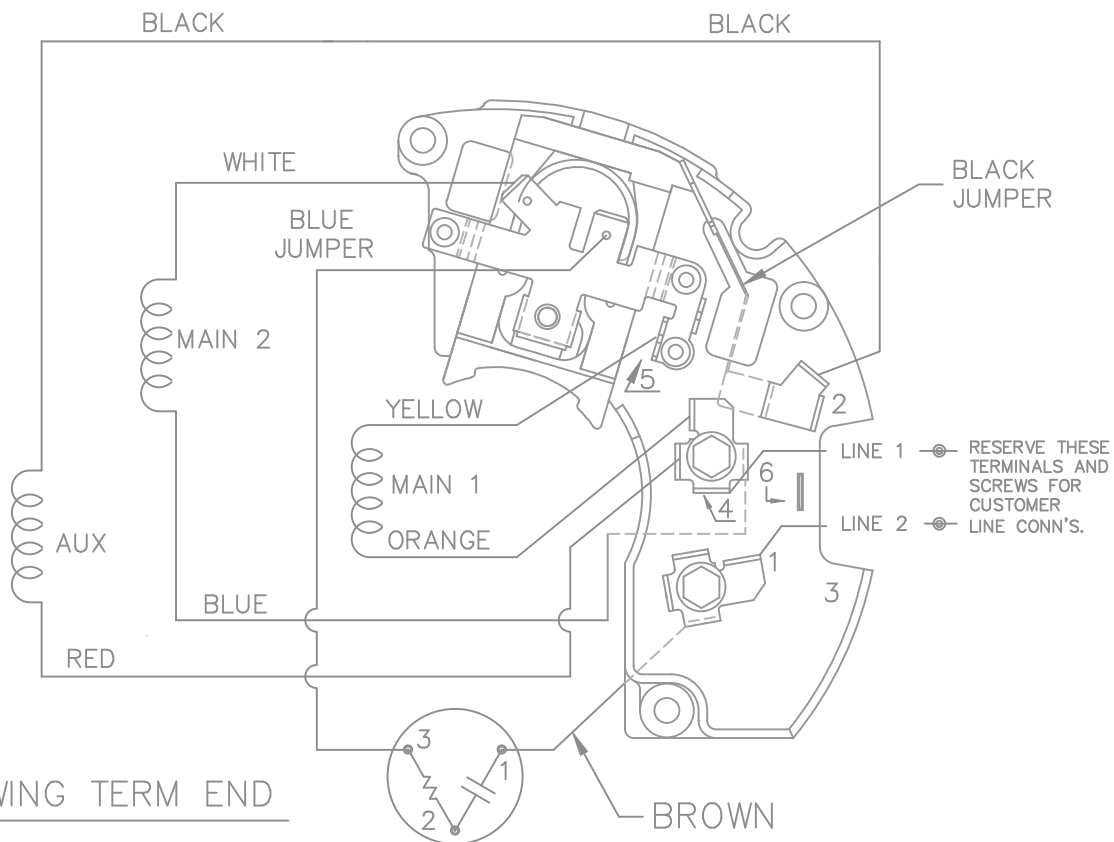


DASH	FR	C	XB	XD
775		11.72	0	6.31

				TOLERANCES UNLESS SPECIFIED			DRAWN RP 10-03-2008							
				DEC.	INCHES		CHK SP 10-03-2008							
				.X	±.1		APPD NB 10-03-2008							
				.XX	±.03		SCALE 3=8							
				.XXX	±.005		REF							
				.XXXX	±.0005	TITLE	OULTINE			FMF 08-2127				
						56 FR.			PREV					
NO.	REVISION			BY & DATE	CHK	ANG	FINISH							
THIS DRAWING IN DESIGN AND DETAIL IS OUR PROPERTY AND MUST NOT BE USED EXCEPT IN CONNECTION WITH OUR WORK ALL RIGHTS OF DESIGN AND INVENTION ARE RESERVED THIS IS AN ELECTRONICALLY GENERATED DOCUMENT - DO NOT SCALE THIS PRINT				RFP	10-03-2008	CAD FILE		SS403780		SIZE	DRAWING NO.	PAGE	OF	REV.
				DIST	WP					A	SS403780			



SINGLE VOLTAGE
REVERSIBLE ON TERM BOARD



VIEWING TERM END

CCW ROTATION SHOWN

TO REVERSE ROTATION INTERCHANGE
RED LEAD WITH BLACK LEAD.

				TOLERANCES UNLESS SPECIFIED			DRAWN MJD 01-27-1998				
				DEC.	INCHES		CHK ML 01-29-1998				
				.X	±.1		APPD TOM 01-29-1998				
3	REMOVED NOTE \ REVISED T-BLOCK WAS DUAL NOW SGL	RJW 12-22-2006	ML	.XX	±.02	TITLE CONNECTION DIAGRAM 48 FR.-SINGLE VOLTAGE REVERSIBLE	SCALE 1=1				
2	REDRAWN IN AUTOCAD	TAT 08-02-2004	ML	.XXX	±.005		REF				
1	NEW DRAWING CN 24126	MJD 02-02-1998		.XXXX	±.0005		FMF				
NO.	REVISION	BY & DATE	CHK	ANG	±7'30"	FINISH	PREV				
THIS DRAWING IN DESIGN AND DETAIL IS OUR PROPERTY AND MUST NOT BE USED EXCEPT IN CONNECTION WITH OUR WORK ALL RIGHTS OF DESIGN AND INVENTION ARE RESERVED THIS IS AN ELECTRONICALLY GENERATED DOCUMENT - DO NOT SCALE THIS PRINT						RFP	CAD FILE ee7195aa	SIZE A	DRAWING NO. EE7195AA	PAGE OF	REV. 3
						DIST WP					