

# PRODUCT INFORMATION PACKET



Model No: 103760.00

Catalog No: 103760.00

(SY003) once inventory depleted - .1HP..1800RPM.S56C.TENV.230/460V.3PH.91HZ.PMAC.40C.1.10 S.F..RIGID C F/  
PMAC Motors



Regal and Leeson are trademarks of Regal Rexnord Corporation or one of its affiliated companies.  
©2021 Regal Rexnord Corporation, All Rights Reserved. MC017097E



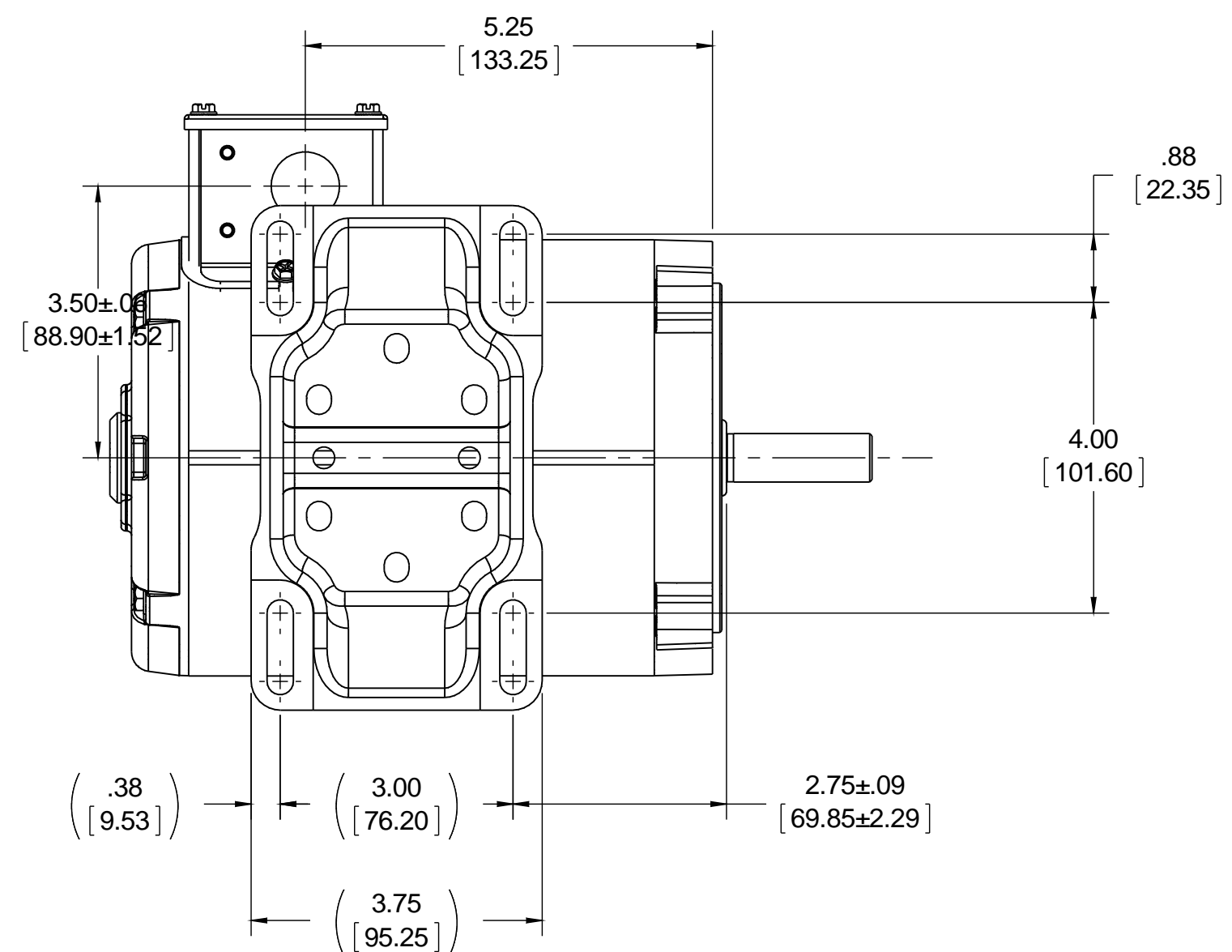
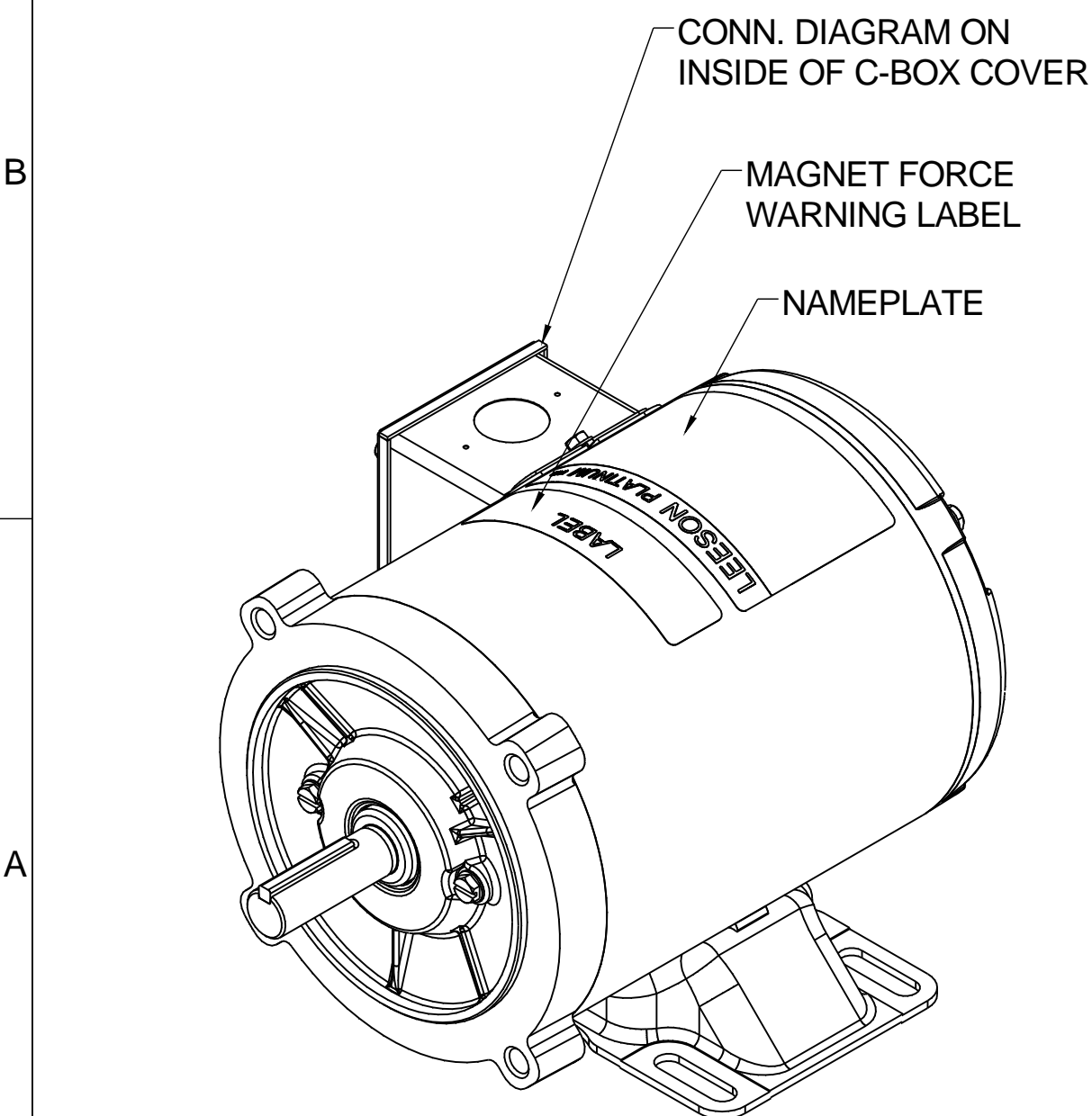
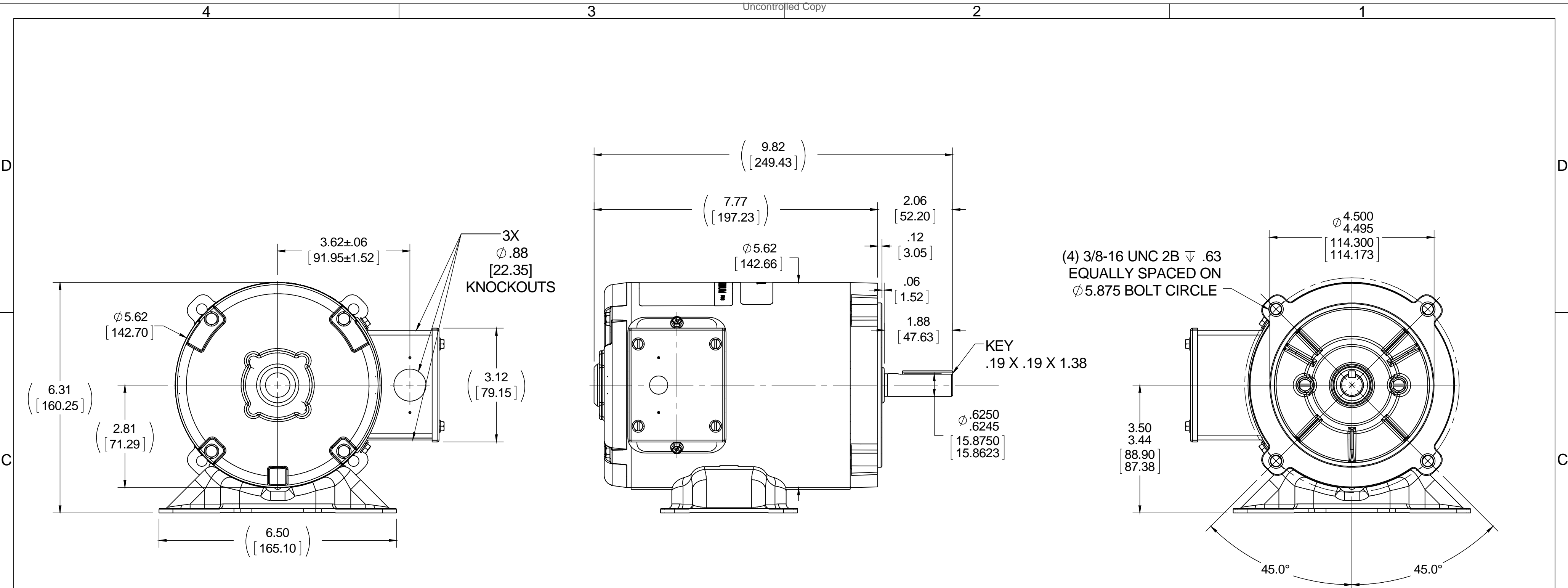


### Nameplate Specifications

Output HP	1 Hp	Output KW	0.75 kW
Frequency	90 Hz	Voltage	230/460 V
Current	2.8/1.4 A	Speed	1800 rpm
Service Factor	1	Phase	3
Efficiency	88.5 %	Power Factor	83
Duty	Continuous	Insulation Class	F
Design Code	No Design Code	KVA Code	N/A
Frame	S56CZ	Enclosure	Totally Enclosed Non Ventilated
Thermal Protection	Thermostats 140 deg. C (N/C)	Ambient Temperature	40 °C
Drive End Bearing Size	6205	Opp Drive End Bearing Size	6203
UL	Recognized	CSA	Y
CE	Y	IP Code	43
Number of Speeds	1		

### Technical Specifications

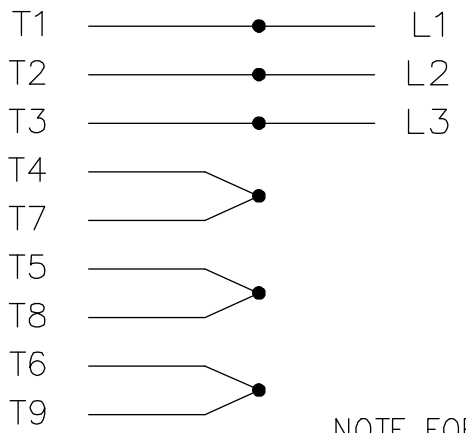
Electrical Type	AC Permanent Magnet	Starting Method	Inverter Only
Poles	6	Rotation	Reversible
Resistance Main	0 Ohms	Mounting	Rigid Base
Motor Orientation	Horizontal	Drive End Bearing	Ball
Opp Drive End Bearing	Ball	Frame Material	Rolled Steel
Shaft Type	Single Special Extension	Overall Length	9.82 in
Frame Length	6.13 in	Shaft Diameter	0.625 in
Shaft Extension	1.88 in	Assembly/Box Mounting	F1 ONLY
Connection Drawing	EE7308T-LE	Outline Drawing	606-0073-004



DRAWING REVISION A	REVISION BY	DATE	TOLERANCES UNLESS OTHERWISE SPECIFIED:	DRAWN BY M. PLACE	Regal Beloit America, Inc.
ECO-0106152	APPROVED BY	DATE	DEC. INCH mm ANGLE .X ±0.1 [±2.5] .XX ±0.01 [±0.25] .XXX ±0.005 [±0.127] .XXXX ±0.0005 [±0.0127]	DATE 07-15-2016	
ECO DESCRIPTION NEW RELEASE			REMOVE BURRS & BREAK SHARP EDGES: .003/.015 [0.076/.381] X 45° CORNER FILLETS: R.02 [51] MACHINED SURFACES: 125/3.2 INCH/mm mm SHOWN IN [BRACKETS]	APPROVED BY S. LALSARE	DESCRIPTION MOTOR ASSY
COPYRIGHT REGAL BELOIT AMERICA, INC. ALL RIGHTS RESERVED. PROPRIETARY AND CONFIDENTIAL INFORMATION - THIS DOCUMENT IS THE PROPERTY OF REGAL BELOIT AMERICA, INC. ("OWNER") AND CONTAINS OWNER'S PROPRIETARY INFORMATION. ANY PERSON, CORPORATION OR OTHER FIRM RECEIVING IT IS DEEMED, BY RECEIVING IT, TO AGREE THAT IT, AND/OR ANY PART OF IT, SHALL NOT BE DISCLOSED TO ANY PERSON, CORPORATION OR OTHER ENTITY, DUPLICATED, AND/OR USED, EXCEPT AS EXPRESSLY APPROVED IN WRITING IN ADVANCE BY OWNER. THIS DOCUMENT SHALL BE RETURNED TO OWNER UPON REQUEST. IT MAY BE SUBJECT TO CERTAIN RESTRICTIONS UNDER APPLICABLE EXPORT CONTROL LAWS AND REGULATIONS.			EDGES: .003/.015 [0.076/.381] X 45° CORNER FILLETS: R.02 [51] MACHINED SURFACES: 125/3.2 INCH/mm mm SHOWN IN [BRACKETS]	DATE 07-18-2016	MATERIAL
				REFERENCE 606-0061	PROCESS/FINISH
				THIRD ANGLE PROJECTION	SIZE C
				DRAWING NUMBER 606-0073-004	SHEET 1 OF 1

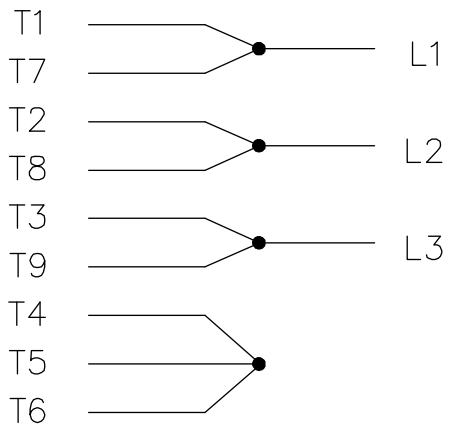
THREE PHASE  
DUAL VOLTAGE MOTOR

HIGH VOLTAGE

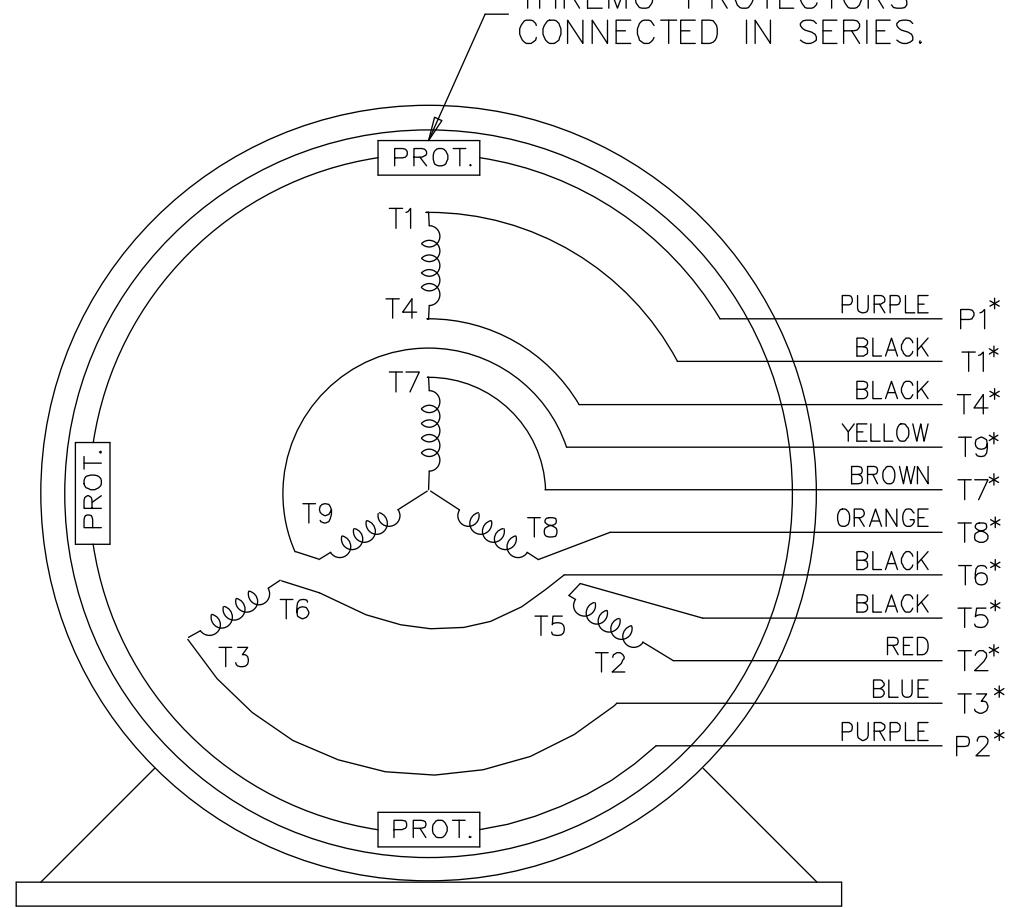


NOTE FOR FACTORY USE ONLY:  
 TO SURGE TEST FOR COMMON CONNECT:  
 HIGH VOLT: CONNECT P1 TO T1  
 THEN P2 TO L1  
 LOW VOLT: CONNECT P1 TO T1 & T7,  
 THEN P2 TO L1

LOW VOLTAGE




THREMO-PROTECTORS  
CONNECTED IN SERIES.



VIEW OF TERMINAL END

\* USE LEADS AS PER PLANT STANDARD IRRWSPECTIVE OF THEIR COLOUR.

				TOLERANCES UNLESS SPECIFIED		 ELECTRIC MOTORS GEARMOTORS AND DRIVES	DRAWN TJB 05-07-2002		
NO.	REVISION	BY & DATE	CHK	ANG	±		FINISH	CHK	ML
05	ADDED * NOTE PER ECN # 26921	UD 01-30-2013	JD	DEC.	INCHES				
04	ADDED COLORS TO "T & P" LEADS CN 40494	MSG 08-08-2006	ML	.X	±.1			APPD TB 05-08-2002	
03	RE-ISSUE	NJS 04-21-2004	JET	.XX	±.02	TITLE CONNECTION DIAGRAM		SCALE 1=1	
02	REDRAWN	TAT 04-20-2004	ML	.XXX	±.005	3 PHASE - DUAL VOLTAGE MOTOR		REF	
01	NEW DRAWING CN 34708	TJB 05-08-2002	ML	.XXXX	±.0005	MAT'L.		FMF	
					±7'30"			PREV	
THIS DRAWING IN DESIGN AND DETAIL IS OUR PROPERTY AND MUST NOT BE USED EXCEPT IN CONNECTION WITH OUR WORK ALL RIGHTS OF DESIGN AND INVENTION ARE RESERVED THIS IS AN ELECTRONICALLY GENERATED DOCUMENT - DO NOT SCALE THIS PRINT				RFP	CAD FILE EE7308T_LE		SIZE A	DRAWING NO. EE7308T-LE	PAGE OF 05
				DIST	LB-WP-LE				