

PRODUCT INFORMATION PACKET



Model No: 969A
Catalog No: 969A

OEM Replacement Motor, 1/2 HP, 1 Ph, 60 Hz, 115/230 V, 840 RPM, 1 Speed, 48 Frame, TEAO



Regal and Century are trademarks of Regal Rexnord Corporation or one of its affiliated companies.
©2022 Regal Rexnord Corporation, All Rights Reserved. MC017097E





Nameplate Specifications

| | | | |
|--------------------|------------|---------------------|---------------------------|
| Output HP | 1/2 Hp | Output KW | 0.37 kW |
| Frequency | 60 Hz | Voltage | 115/230 V |
| Current | 6.1/3.1 A | Speed | 840 rpm |
| Service Factor | 1 | Phase | 1 |
| Duty | Air Over | Insulation Class | B |
| Frame | F48Y | Enclosure | Totally Enclosed Air Over |
| Thermal Protection | Automatic | Ambient Temperature | 40 °C |
| UL | Recognized | CSA | Y |
| CE | N | Number of Speeds | 1 |

Technical Specifications

| | | | |
|--------------------|---------------------------|-----------------------|---------------------------|
| Electrical Type | Permanent Split Capacitor | Starting Method | Across The Line |
| Poles | 8 | Rotation | Counterclockwise Lead End |
| Mounting | Yoke | Motor Orientation | Horizontal |
| Drive End Bearing | Ball | Opp Drive End Bearing | Ball |
| Frame Material | Rolled Steel | Shaft Type | Double Flat |
| Overall Length | 10.93 in | Frame Length | 7.00 in |
| Shaft Diameter | 0.625 in | Shaft Extension | 2.68 in |
| Connection Drawing | 614131-360 | Outline Drawing | 969A-S01 |

This is an uncontrolled document once printed or downloaded and is subject to change without notice. Date Created:11/29/2022

GENERAL INFORMATION:

SHAFT RUNOUT: .001[.03] T.I.R. PER INCH LENGTH OF EXTENSION

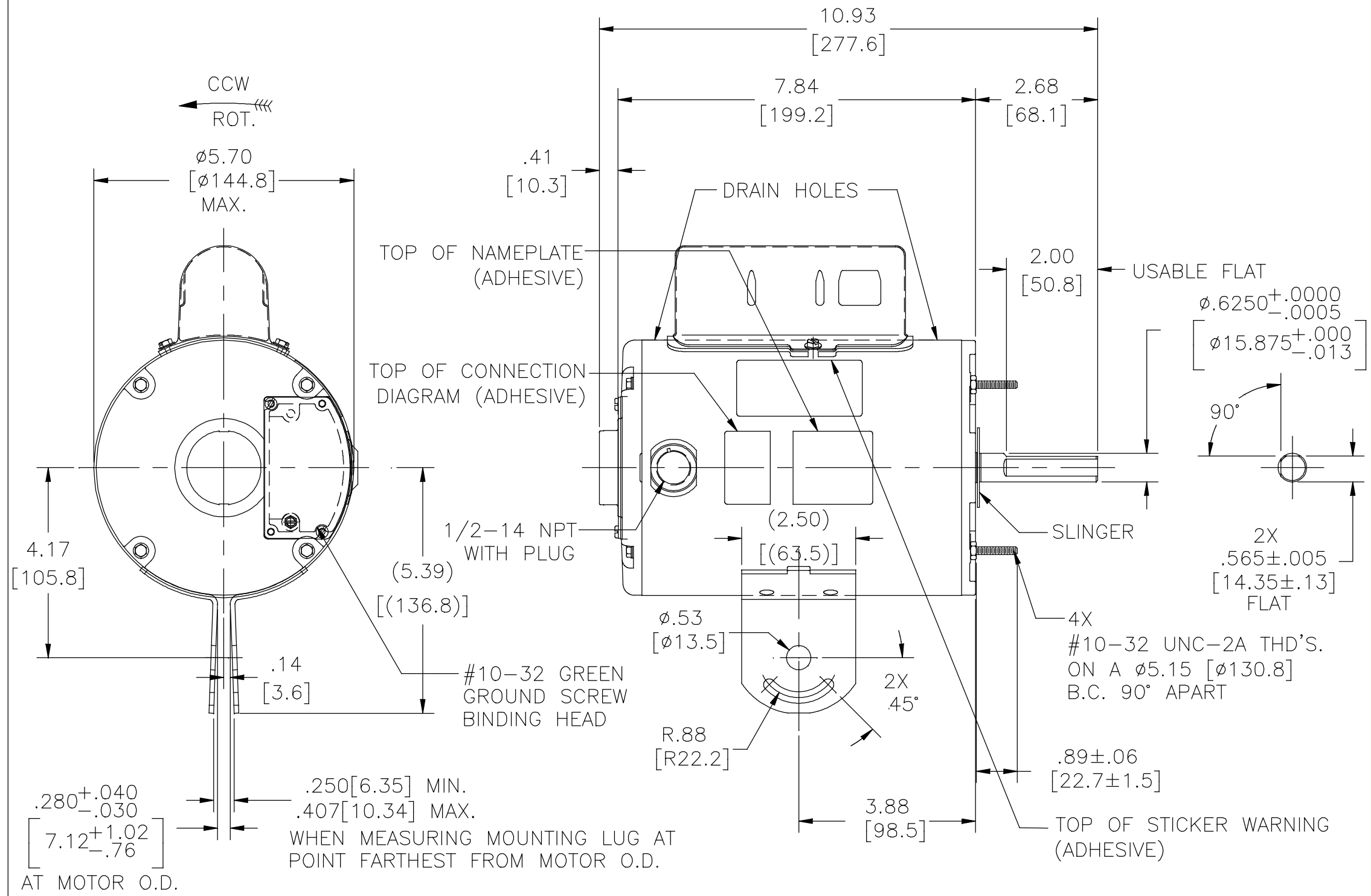
BEARINGS: BALL

MOUNTING POSITION: HORIZONTAL

ELECTRICAL DATA:

OVERLOAD PROTECTOR: AUTOMATIC RESET (T.I. 7AM 036)

LEADS: NO. 18 GA., .03[.8] THK. XLP 125°C INSUL.



| NAMEPLATE DATA: | EXTERNAL CONNECTION DIAGRAM |
|---|---|
| MODEL NO.: F48Z38A01 CUST. P/N: 969A HP: 1/2 ROT.: CCWLE RPM: 840 TYPE: UF FRAME: 48Y VOLTS: 115/230 PH: 1 AMPS: 6.1/3.1 HZ: 60 INS.: B AMB.: 40° C DUTY: AIR OVER CAP.: 30 MFD/370 V ENCL: ENCLOSED UL LOGO CSA LOGO THERMALLY PROTECTED | <p>ORANGE — L2</p> <p>BLUE — B</p> <p>WHITE — A</p> <p>BLACK — A</p> <p>BLK/WHT — A</p> <p>RED — L1</p> <p>— HIGH VOLTS —</p> <p>ORANGE — L2</p> <p>BLUE — A</p> <p>BLACK — A</p> <p>BLK/WHT — A</p> <p>WHITE — L1</p> <p>RED — L1</p> <p>— LOW VOLTS —</p> <p>614131-360</p> |

| COLOR | LENGTH | TERMINAL OR STRIP LENGTH |
|-------------|------------------------|--------------------------|
| BROWN | CONNECTED TO CAPACITOR | .25 [6.4] FLAG |
| BLACK | CONNECTED TO CAPACITOR | .25 [6.4] FLAG |
| ORANGE | 5.0/7.0 [127/179] | .25 [6.4] FLAG |
| BLUE | 5.0/7.0 [127/179] | .25 [6.4] FLAG |
| WHITE | 5.0/7.0 [127/179] | .25 [6.4] FLAG |
| BLACK | 5.0/7.0 [127/179] | .25 [6.4] FLAG |
| BLACK/WHITE | 5.0/7.0 [127/179] | .25 [6.4] FLAG |
| RED | 5.0/7.0 [127/179] | .25 [6.4] FLAG |
| COLOR | LENGTH | TERMINAL OR STRIP LENGTH |

LEAD DATA

NOTES:

- 4 LOCKWASHERS 1024H20H01
4 HEX NUTS
TO BE PUT IN POLY BAG AND SHIPPED SEPERATE WITH MOTOR.
- MOTOR TO BE SHIPPED CONNECTED FOR LOW VOLTAGE.

| | |
|------------------|----------|
| MAIN FRAME — OLE | ENCLOSED |
| END FRAME — OLE | ENCLOSED |
| MAIN FRAME — LE | ENCLOSED |
| END FRAME — LE | ENCLOSED |

ENCLOSURE

| | |
|----------|----------------------|
| CUSTOMER | DISTRIBUTION SERVICE |
|----------|----------------------|

| DRAWING REVISION | REVISION BY | DATE |
|------------------|-------------|------------|
| H | HANNA.ZOU | 10-17-2018 |
| ECO | APPROVED BY | DATE |
| ECO-0154903 | DEXIAN.LI | 10-17-2018 |
| ECO DESCRIPTION | | |
| SEE ECO | | |

COPYRIGHT REGAL BELOIT AMERICA, INC. ALL RIGHTS RESERVED. PROPRIETARY AND CONFIDENTIAL INFORMATION — THIS DOCUMENT IS THE PROPERTY OF REGAL BELOIT AMERICA, INC. (OWNER) AND CONTAINS OWNER'S PROPRIETARY INFORMATION. ANY PERSON, CORPORATION OR OTHER FIRM RECEIVING IT IS DEEMED, BY RECEIVING IT, TO AGREE THAT IT, AND/OR ANY PART OF IT, SHALL NOT BE DISCLOSED TO ANY PERSON, CORPORATION OR OTHER ENTITY, DUPLICATED, AND/OR USED, EXCEPT AS EXPRESSLY APPROVED IN WRITING IN ADVANCE BY OWNER. THIS DOCUMENT SHALL BE RETURNED TO OWNER UPON REQUEST. IT MAY BE SUBJECT TO CERTAIN RESTRICTIONS UNDER APPLICABLE EXPORT CONTROL LAWS AND REGULATIONS.

| | |
|----------------|------------|
| DRAWN BY: | HZ |
| DATE: | 06-04-2007 |
| APPROVED BY: | TR |
| DATE: | 01-04-2008 |
| PROCESS/FINISH | |

| | |
|---|----------------------------|
| REGAL ™ Regal Beloit America, Inc. | |
| DESCRIPTION | MODEL-RFHP-48FR OUTLINE |
| MATERIAL | |
| THIRD ANGLE PROJECTION | SIZE DWG NO |
| | C 969A |
| | SHEET 1 |