

PRODUCT INFORMATION PACKET



Model No: 9670

Catalog No: 9670

Fan Coil & Air Conditioner Motor, 1/15 HP, 1 Ph, 60/50 Hz, 208-230 V, 1050 RPM, 3 Speed, 42 Frame,
OPEN



Regal and Century are trademarks of Regal Rexnord Corporation or one of its affiliated companies.
©2022 Regal Rexnord Corporation, All Rights Reserved. MC017097E





Nameplate Specifications

Output HP	1/15 Hp	Output KW	0.05 kW
Frequency	50 Hz	Voltage	208-230 V
Current	1.3 A	Speed	1050 rpm
Service Factor	1	Phase	1
Duty	Continuous Air Over	Insulation Class	A
Frame	42Y	Enclosure	Open Enclosed
Thermal Protection	Automatic	Ambient Temperature	40 °C
UL	Recognized	CSA	Y
CE	N	Number of Speeds	3

Technical Specifications

Electrical Type	Shaded Pole	Starting Method	Across The Line
Poles	6	Rotation	Counterclockwise Lead End
Mounting	Extended Studs	Motor Orientation	Horizontal
Drive End Bearing	Sleeve	Opp Drive End Bearing	Sleeve
Frame Material	Rolled Steel	Shaft Type	Flat
Overall Length	24.75 in	Frame Length	2.42 in
Shaft Diameter	0.500 in	Shaft Extension	10.5X.5X11.0 in
Outline Drawing	DA3D7225-S01		

This is an uncontrolled document once printed or downloaded and is subject to change without notice. Date Created:11/29/2022

4

3

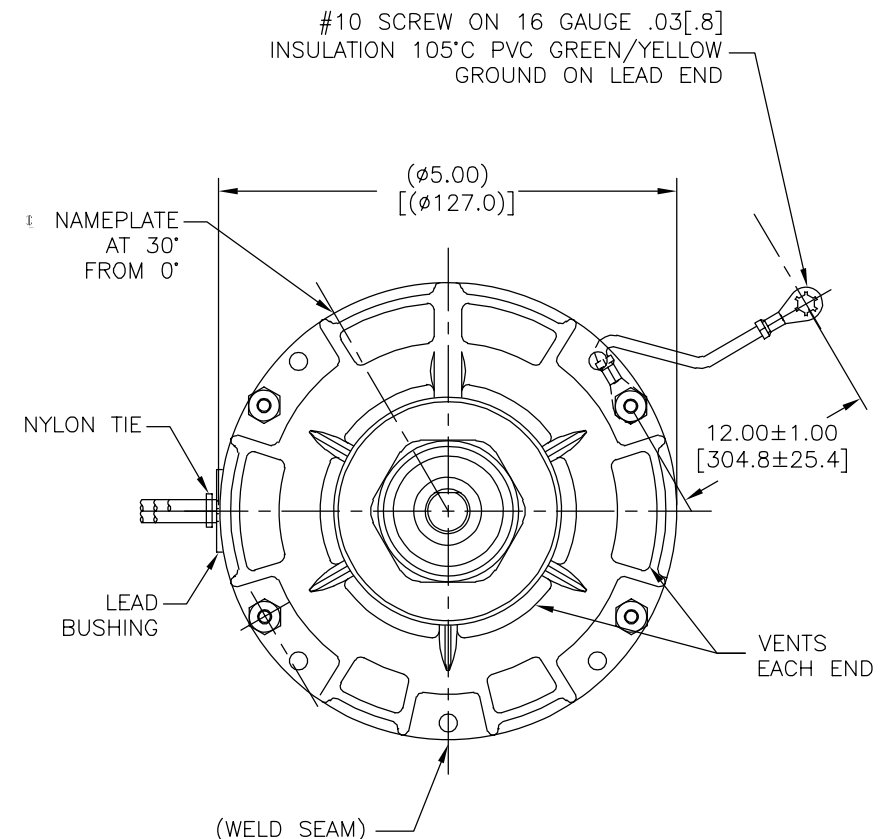
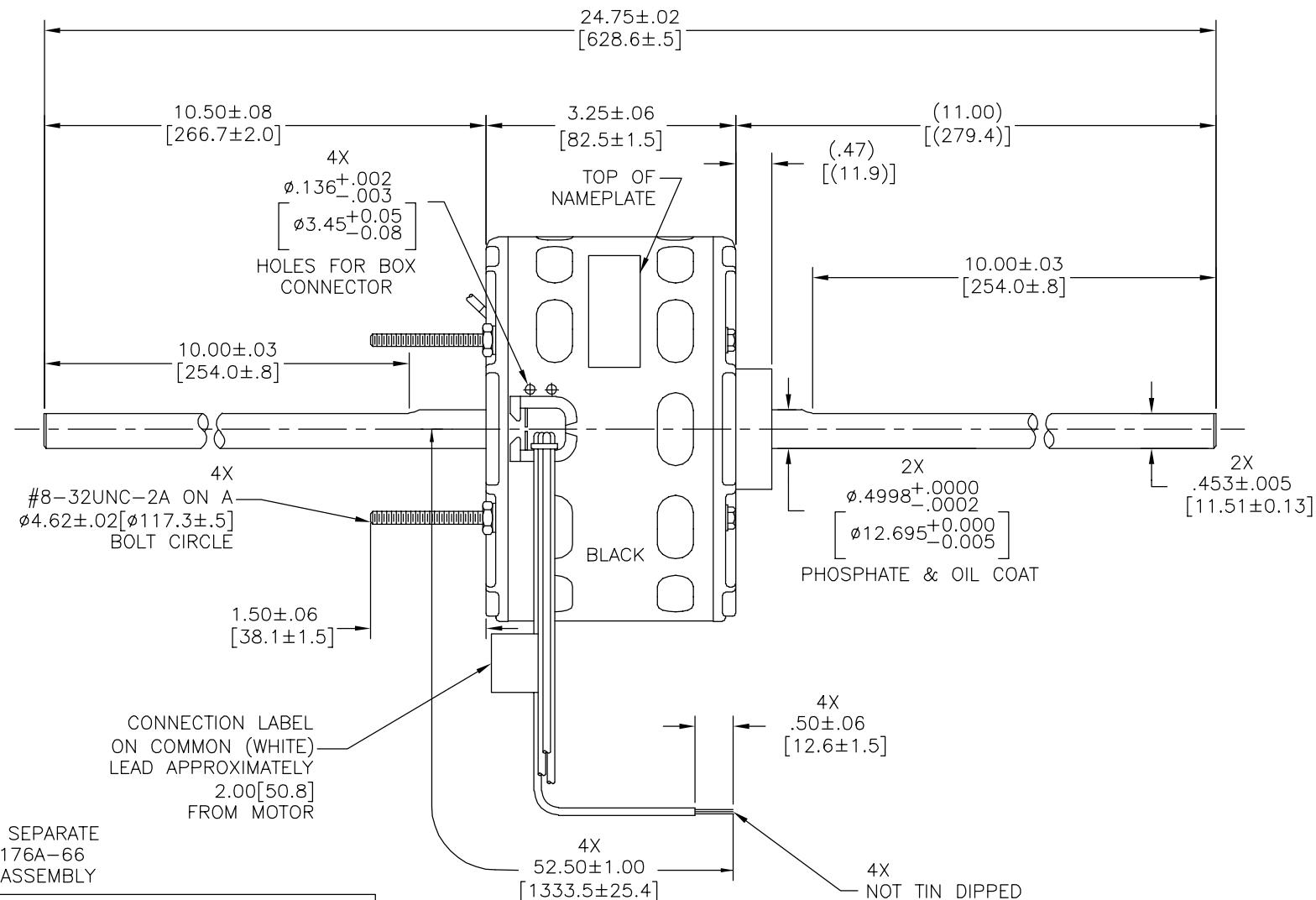
2

1

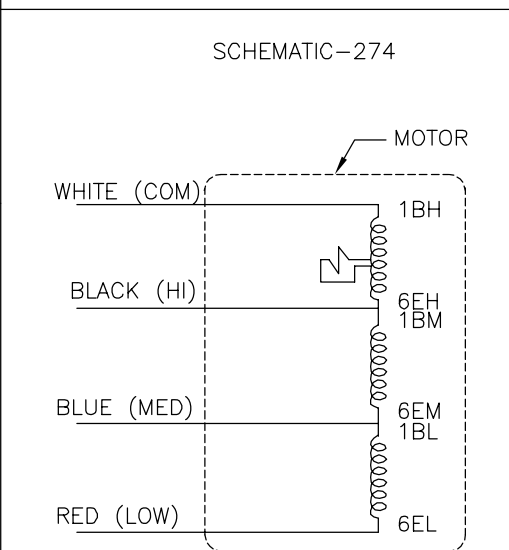
CUSTOMER IS SOLELY RESPONSIBLE FOR MOTOR PERFORMANCE AND SUITABILITY IN APPLICATIONS FOR CUSTOMER'S USES.

REV	ECO	REV BY	DATE	APPD	DATE
D	0029021	E.SINECIO	10-18-2012	G.ALVIDREZ	10-18-2012

END PLAY .005[.13] MINIMUM - .040[1.02] MAXIMUM
 MAXIMUM SHAFT RUN OUT .001[.02] PER INCH
 MAXIMUM RUN OUT NOT TO EXCEED .010[.25]



SHIP SEPARATE 72T7176A-66 BAG ASSEMBLY



NOTE:
 DISTRIBUTION PART NUMBER: 9670
 GRAINGER PART NUMBER: 4UU39

CONNECTION LABEL 63T7433-210

SEE NOTE

ROT: CCWLE

NAMEPLATE DATA:

Century Tipp City, OH THERMALLY PROTECTED

SER. DATE & PO# PLT LTR MOD DA3D225N"
 VOLTS 208-230 HZ 50/60 AMPS 1.3
 RPM 1050 SP 3 PH 1 CAP
 INS CL AMB °C HP CONT A.O. ← ROTATION →
 BRG SLV BK-HI 1.3A 1/15HP BU-MED .71A 1/25HP
 RD-LOW .50A 1/40HP WH-COM

ASSEMBLED IN MEXICO

GEOMETRIC CHARACTERISTICS & SYMBOLS

- FLATNESS
- STRAIGHTNESS
- ∠ ANGULARITY
- ⊥ PERPENDICULARITY (SQUARENESS)
- ∥ PARALLELISM
- ROUNDNESS (CIRCULARITY)
- ⊘ CYLINDRICITY
- △ PROFILE OF ANY SURFACE
- ∩ PROFILE OF ANY LINE
- ↗ RUNOUT
- ⊕ TRUE POSITION
- ◎ CONCENTRICITY
- ≡ SYMMETRY

ASME Y14.5M 1994

UNLESS OTHERWISE SPECIFIED DIM. TOLERANCES ARE AS FOLLOWS:

INCH	±.1	±.02	±.005	±.0005
mm	±0.5	±0.13	±0.013	

ANG. ±.50 DEG
 REMOVE BURRS & BREAK SHARP EDGES:
 INCH .003-.015 mm 0.1-0.4
 CORNER FILLETS TO:
 INCH .020 mm 0.5
 MACHINE SURFACES:
 INCH 125 mm 3.2

METRIC DIMS. SHOWN IN [BRACKETS]

DR BY:

APPD:

THIRD ANGLE PROJECTION

EDS DATE 11-11-2011
 FORMAT REV H

CONFIDENTIAL: THIS DRAWING AND ITS INFORMATION ARE THE EXCLUSIVE AND CONFIDENTIAL PROPERTY OF REGAL-BELOIT CORPORATION AND ARE NOT TO BE DISCLOSED, DUPLICATED, DISTRIBUTED OR OTHERWISE USED WITHOUT THE WRITTEN CONSENT OF REGAL-BELOIT CORPORATION. -ALL RIGHTS RESERVED.

REGAL REGAL-BELOIT CORPORATION

DESCRIPTION
 MODEL-RFHP-42FR
 OUTLINE

SIZE C DWG NO DA3D7225

SCALE NONE SHEET 1

4

3

2

1

4

3

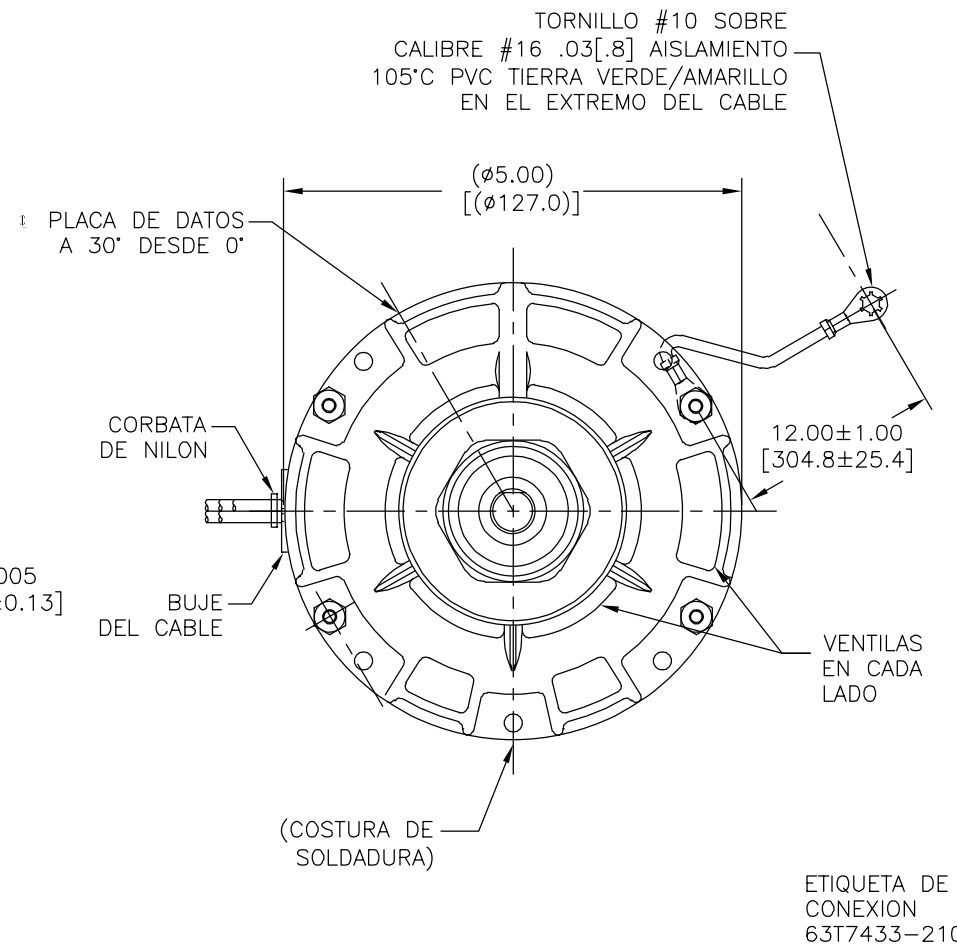
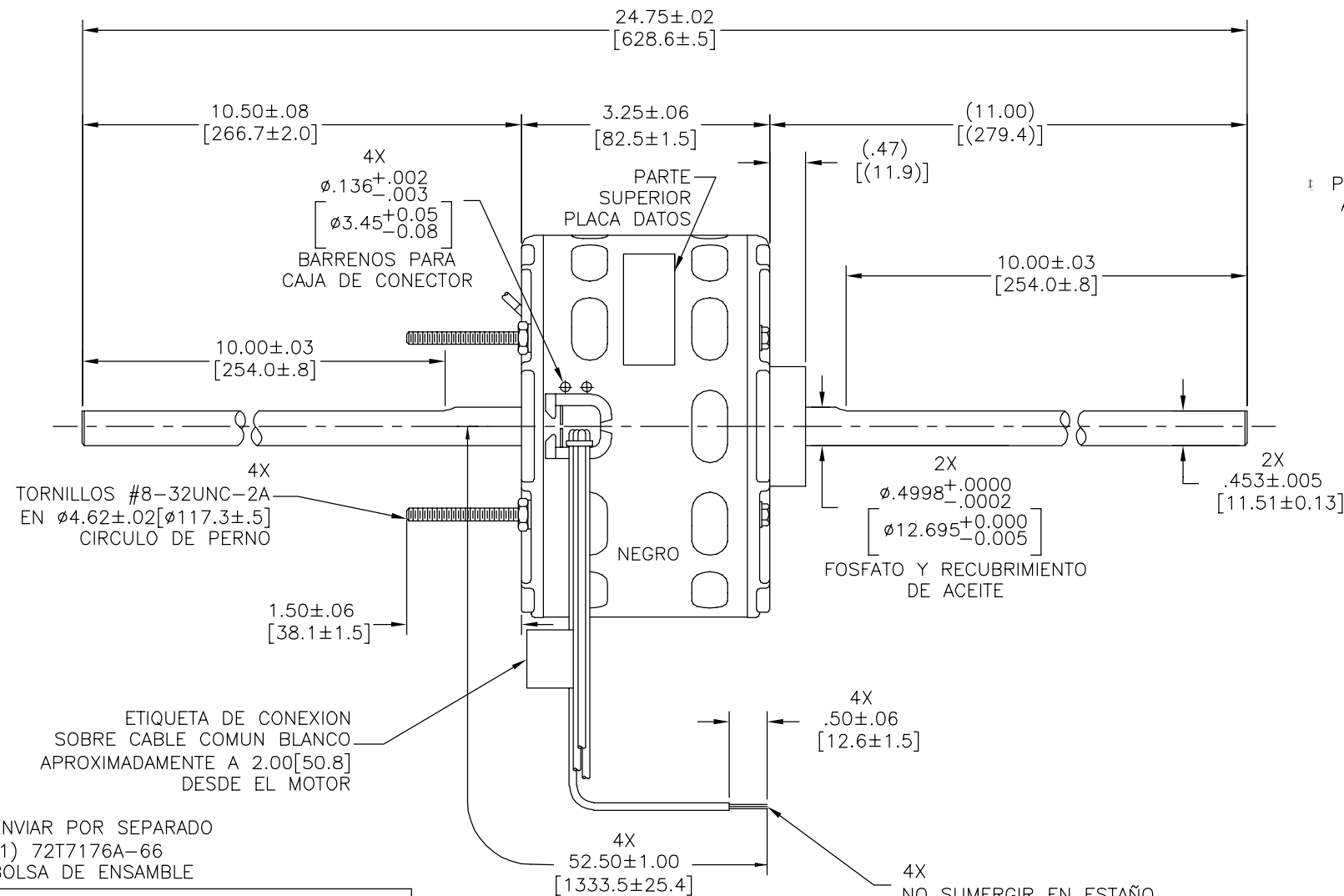
2

1

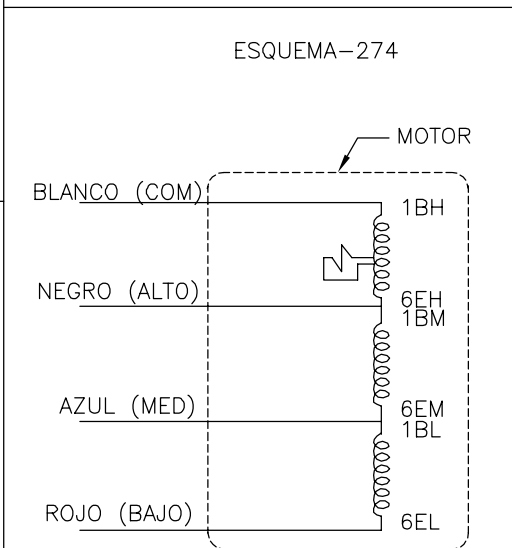
EL CLIENTE ES SOLO RESPONSABLE DEL RENDIMIENTO DEL MOTOR Y APLICACIONES CONVENIENTES PARA LOS USOS DEL CLIENTE.

REVISION:	ECO	REVISADO POR:	FECHA:	APROBADO POR:	FECHA:
D	0029021	E.SINECIO	10-18-2012	G.ALVIDREZ	10-18-2012

JUEGO AXIAL .005[.13] MINIMO - .040[1.02] MAXIMO
 MAXIMO OSCILAMIENTO DE FLECHA .001[.02] POR PULGADA
 MAXIMO OSCILAMIENTO NO EXCEDERA DE .010[.25]



ENVIAR POR SEPARADO
 (1) 7217176A-66
 BOLSA DE ENSAMBLE



NOTA:
 1. NUMERO DE PARTE DE DISTRIBUCION: 9670
 NUMERO DE PARTE GRAINGER: 4UU39

ELECTRICAMENTE DE ACUERDO A MUESTRA S-8029D-1
 CURVA DE FUNCIONAMIENTO #32382

ROT: CCWLE

INFORMACION DE PLACA DE DATOS:



SER. DATE & PO# PLT LTR MOD DA3D225N
 VOLTS 208-230 HZ 50/60 AMPS 1.3
 RPM 1050 SP 3 PH 1 CAP
 INS CL AMB °C HP CONT A.O. ← ROTATION →
 BRG SLV BK-HI 1.3A 1/15HP BU-MED .71A 1/25HP
 RD-LOW .50A 1/40HP WH-COM

ASSEMBLED IN MEXICO

CARACTERISTICAS DE GEOMETRIA Y SIMBOLOS
 □ PLANICIDAD
 - RECTITUD
 < ANGULARIDAD
 ⊥ PERPENDICULARIDAD (A ESCUADRA)
 // PARALELISMO
 ○ REDONDEZ (CIRCULARIDAD)
 ∅ CILINDRICIDAD
 △ PERFIL DE CUALQUIER SUPERFICIE
 ∇ PERFIL DE CUALQUIER LINEA
 ∠ VARIACION
 ⊕ POSICION REAL
 ⊙ CONCENTRICIDAD
 = SIMETRIA

A MENOS QUE SE ESPECIFIQUE DE OTRA MANERA, LAS TOLERANCIAS DE LAS DIMS; SON LAS SIGUIENTES:
 PULG ±.1 ±.02 ±.005 ±.0005
 mm ±0.5 ±0.13 ±0.013
 ANG. ±.50 GRADOS
 ELIMINAR REBABAS Y ORILLAS FILOSAS DEL BORDE.
 PULG .003-.015 mm 0.1-0.4
 FILETEAR ESQUINA: PULG .020 mm 0.5
 MAQUINAR SUPERFICIES
 PULG 125 mm 3.2

DIBUJADO POR:
 APROBADO POR:
 TERCER ANGULO DE PROYECCION
 CONFIDENCIAL: ESTE DIBUJO Y SU INFORMACION SON PROPIEDAD DE USO EXCLUSIVO Y CONFIDENCIAL DE REGAL-BELOIT CORPORATION. Y NO DEBERAN SER REVELADOS, DUPLICADOS, DISTRIBUIDOS O USARSE DE OTRA MANERA SIN EL CONSENTIMIENTO ESCRITO DE REGAL-BELOIT CORPORATION. -TODOS LOS DERECHOS RESERVADOS.

REGAL REGAL-BELOIT CORPORATION

DESCRIPCION:
 MODEL-RFHP-42FR
 OUTLINE
 TAMAÑO: C NUMERO DE DIBUJO: DA3D7225
 ESCALA: NONE HOJA: 1

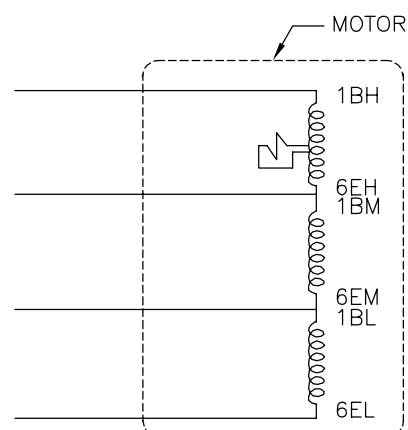
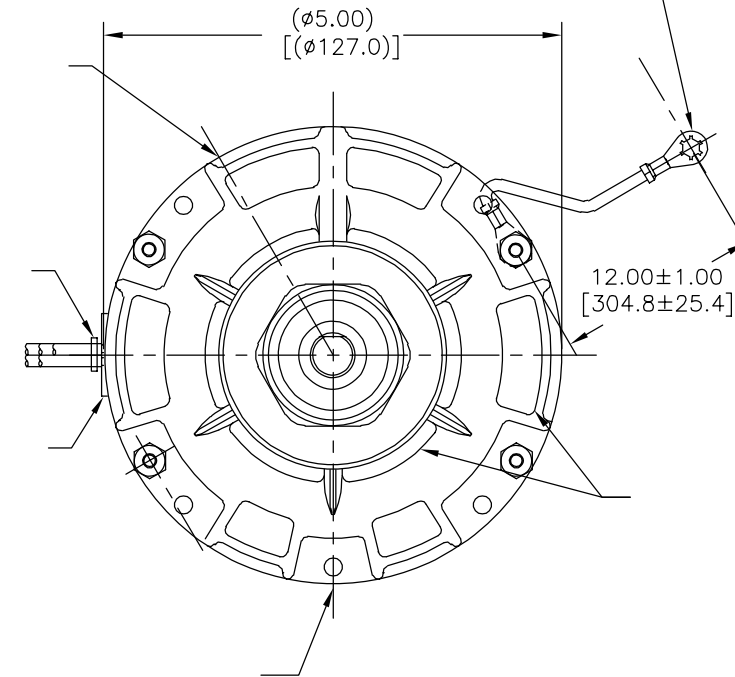
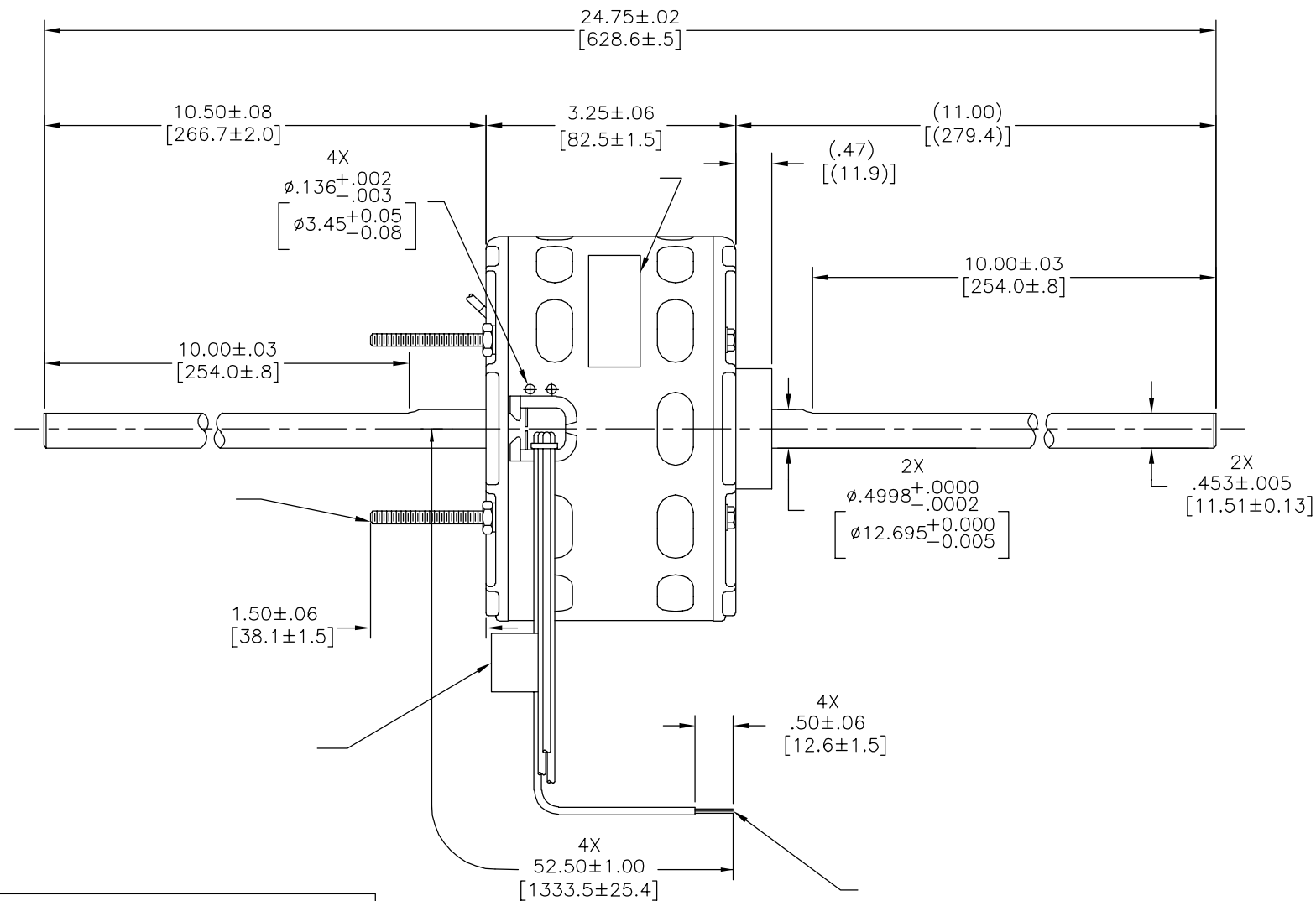
4

3

2

1

版本	ECO	编制	日期	批准	日期
D	0029021	E.SINECIO	10-18-2012	G.ALVIDREZ	10-18-2012



- 形位公差
- 平面度
 - 直线度
 - ∠ 倾斜度
 - ⊥ 垂直度
 - // 平行度
 - 圆度
 - ⊘ 圆柱度
 - ⌒ 面轮廓度
 - ⌒ 线轮廓度
 - ↻ 圆跳动
 - ⊕ 位置度
 - ⊙ 同轴度
 - ≡ 对称度

ASME Y14.5M 1994

除另有注明
尺寸公差如下:

英寸	±.1	±.02	±.005	±.0005
毫米	±0.5	±0.13	±0.013	

角度 ±.50 度
清理毛刺和尖棱
英寸 .003-.015 毫米 0.1-0.4
内圆角
英寸 .020 毫米 0.5
表面粗糙度
英制 125 米制 3.2

米制尺寸显示在 []

绘图: _____
批准: _____
第三角投影 图纸格式发布日期 11-11-2011
图纸格式版本 H
机密: 本图纸及相关信息所有权归REGAL-BELOIT CORPORATION
未经REGAL-BELOIT CORPORATION书面授权, 不得泄露、
复制、传播或作其他用途。—版权所有

ROT: CCWLE



Tipp City, OH
THERMALLY PROTECTED



SER. DATE & PO# PLT LTR MOD DA3D225N"
VOLTS 208-230 HZ 50/60 AMPS 1.3
RPM 1050 SP 3 PH 1 CAP
INS CL AMB °C HP CONT A.O. ← ROTATION →
BRG SLV BK-HI 1.3A 1/15HP BU-MED .71A 1/25HP
RD-LOW .50A 1/40HP WH-COM

ASSEMBLED IN MEXICO

REGAL REGAL-BELOIT CORPORATION

名称
MODEL-RFHP-42FR
OUTLINE

图幅 C 图号 DA3D7225

比例 NONE 页号 1