

PRODUCT INFORMATION PACKET



Model No: ORM1036V1
Catalog No: ORM1036V1

OEM Replacement Motor, 1/3 HP, 1 Ph, 60 Hz, 208-230 V, 1075 RPM, 1 Speed, 48 Frame, ENCLOSED



Regal and Century are trademarks of Regal Rexnord Corporation or one of its affiliated companies.
©2022 Regal Rexnord Corporation, All Rights Reserved. MC017097E





Nameplate Specifications

Output HP	1/3 Hp	Output KW	0.25 kW
Frequency	60 Hz	Voltage	208-230 V
Current	1.5-1.8 A	Speed	1075 rpm
Service Factor	1	Phase	1
Duty	Air Over	Insulation Class	B
Frame	48Y	Enclosure	Totally Enclosed
Thermal Protection	Automatic	Ambient Temperature	40 °C
UL	Recognized	CSA	Y
CE	N	Number of Speeds	1

Technical Specifications

Electrical Type	Permanent Split Capacitor	Starting Method	Across The Line
Poles	6	Rotation	Counterclockwise Lead End
Mounting	Extended Studs	Motor Orientation	Vertical Shaft Down
Drive End Bearing	Sleeve	Opp Drive End Bearing	Sleeve
Frame Material	Rolled Steel	Shaft Type	Double Flat
Overall Length	7.61 in	Frame Length	3.38 in
Shaft Diameter	0.500 in	Shaft Extension	3.3 in
Connection Drawing	614131-317	Outline Drawing	ORM1036V1-S01

This is an uncontrolled document once printed or downloaded and is subject to change without notice. Date Created:11/28/2022

GENERAL INFORMATION:

SHAFT RUNOUT: .001 [.03] T.I.R. PER INCH LENGTH OF EXTENSION

END PLAY: .010 [.25] TO .063 [1.60]

BEARINGS: SLEEVE

MOUNTING POSITION: VERTICAL SHAFT DOWN

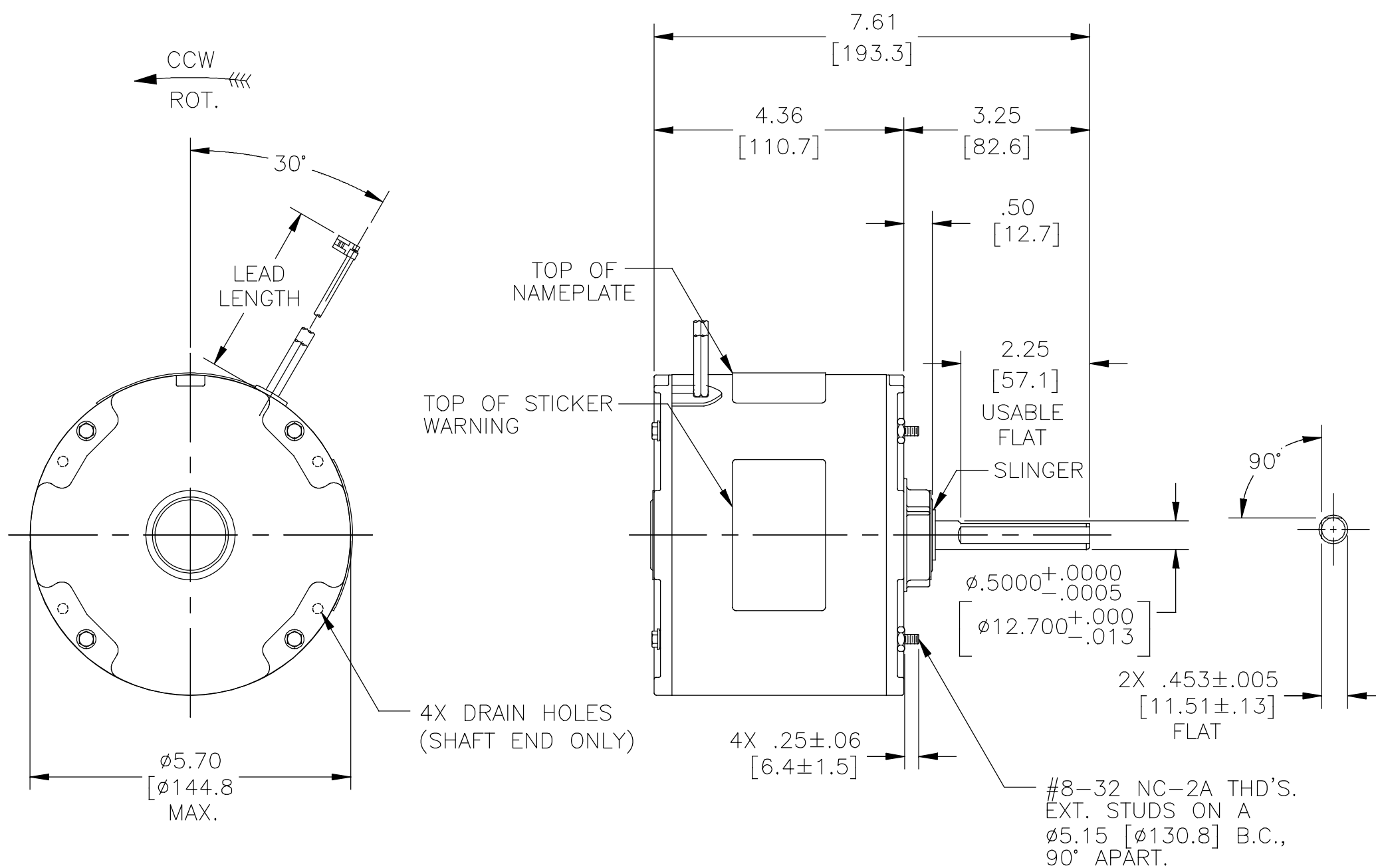
ELECTRICAL DATA:

OVERLOAD PROTECTOR: AUTOMATIC RESET (SENSATA 7AM 036)

LEADS: NO. 18 GA., .06 [1.5] THK. PVC 105°C INSUL.

NOTES:
1. DISTRIBUTION: CUST. P/N: ORM1036V1
GRAINGER: CUST. P/N: 4UY71

SEE NOTE 1



NAMEPLATE DATA:		EXTERNAL CONNECTION DIAGRAM	
MODEL NO.: F48V39A01	CUST. P/N: <input type="text"/>		
HP: 1/3			
ROT.: CCWLE			
RPM: 1075			
TYPE: UF			
FRAME: 48Y			
VOLTS: 208-230			
PH: 1			
AMPS: 1.5-1.8			
HZ: 60			
INS.: B			
AMB.: 40°C			
DUTY: AIR OVER			
CAP.: 5 MFD/370 V			
ENCL: ENCLOSED			
UL LOGO			
CSA LOGO			
THERMALLY PROTECTED			
		614131-317	

BROWN	39.0/42.0 [991/1067]	.25 [6.4] FLAG
ORANGE	39.0/42.0 [991/1067]	.25 [6.4] FLAG
ORANGE	39.0/42.0 [991/1067]	.25 [6.4] FLAG
BLACK	39.0/42.0 [991/1067]	.25 [6.4] FLAG
COLOR	LENGTH	TERMINAL OR STRIP LENGTH

MAIN FRAME - OLE	ENCLOSED
END FRAME - OLE	ENCLOSED
MAIN FRAME - LE	ENCLOSED
END FRAME - LE	ENCLOSED

CUSTOMER	DISTRIBUTION SERVICE

PERFORMANCE CURVE NO.	TORQUE @ 1075 RPM (25°C)	APPROVED SAMPLE	UL COMPONENT FILE #	CCN #	CSA FILE #	CLASS #
C32359	25.4 OZ. FT.	0442975B	E46412	PRGY2	LR43341	4211-01

DRAWING REVISION	REVISION BY	DATE
D	J. RUPERT	07-19-2018
ECO	APPROVED BY	DATE
ECO-0149233	J. RUPERT	07-19-2018
ECO DESCRIPTION		
CHANGED FROM 12056-075		

ENCLOSURE		CUSTOMER		DISTRIBUTION SERVICE	
DRAWN BY:	J. RUPERT	Regal Beloit America, Inc.			
DATE:	09-17-2004				
APPROVED BY:	T. RILEY	DESCRIPTION			
DATE:	09-21-2004	MODEL-RFHP-48FR			
REFERENCE	12056-075	OUTLINE			
THIRD ANGLE PROJECTION	SIZE DWG NO	MATERIAL		PROCESS/FINISH	
	C	ORM1036V1		SHEET 1	

COPYRIGHT REGAL BELOIT AMERICA, INC. ALL RIGHTS RESERVED. PROPRIETARY AND CONFIDENTIAL INFORMATION - THIS DOCUMENT IS THE PROPERTY OF REGAL BELOIT AMERICA, INC. (OWNER) AND CONTAINS OWNER'S PROPRIETARY INFORMATION. ANY PERSON, CORPORATION OR OTHER FIRM RECEIVING IT IS DEEMED, BY RECEIVING IT, TO AGREE THAT IT, AND/OR ANY PART OF IT, SHALL NOT BE DISCLOSED TO ANY PERSON, CORPORATION OR OTHER ENTITY, DUPLICATED, AND/OR USED, EXCEPT AS EXPRESSLY APPROVED IN WRITING IN ADVANCE BY OWNER. THIS DOCUMENT SHALL BE RETURNED TO OWNER UPON REQUEST. IT MAY BE SUBJECT TO CERTAIN RESTRICTIONS UNDER APPLICABLE EXPORT CONTROL LAWS AND REGULATIONS.