

PRODUCT INFORMATION PACKET



Model No: FDL1056
Catalog No: FDL1056

Fan and Blower Motor, 1/2 HP, 1 Ph, 60 Hz, 115 V, 1075 RPM, 3 Speed, 48 Frame, OAO



Regal and Century are trademarks of Regal Rexnord Corporation or one of its affiliated companies.
©2024 Regal Rexnord Corporation, All Rights Reserved. MC017097E





Nameplate Specifications

Phase	1	Output HP	1/2 Hp
Output KW	0.37 kW	Voltage	115 V
Speed	1075 rpm	Service Factor	1.0
Frame	48Y	Enclosure	Open Air Over
Thermal Protection	Automatic	Efficiency	65 %
Ambient Temperature	50 °C	Frequency	60 Hz
Current	7.4 A	Duty	Air Over
Insulation Class	A	UL	Recognized
CSA	Y	CE	N
Number of Speeds	3		

Technical Specifications

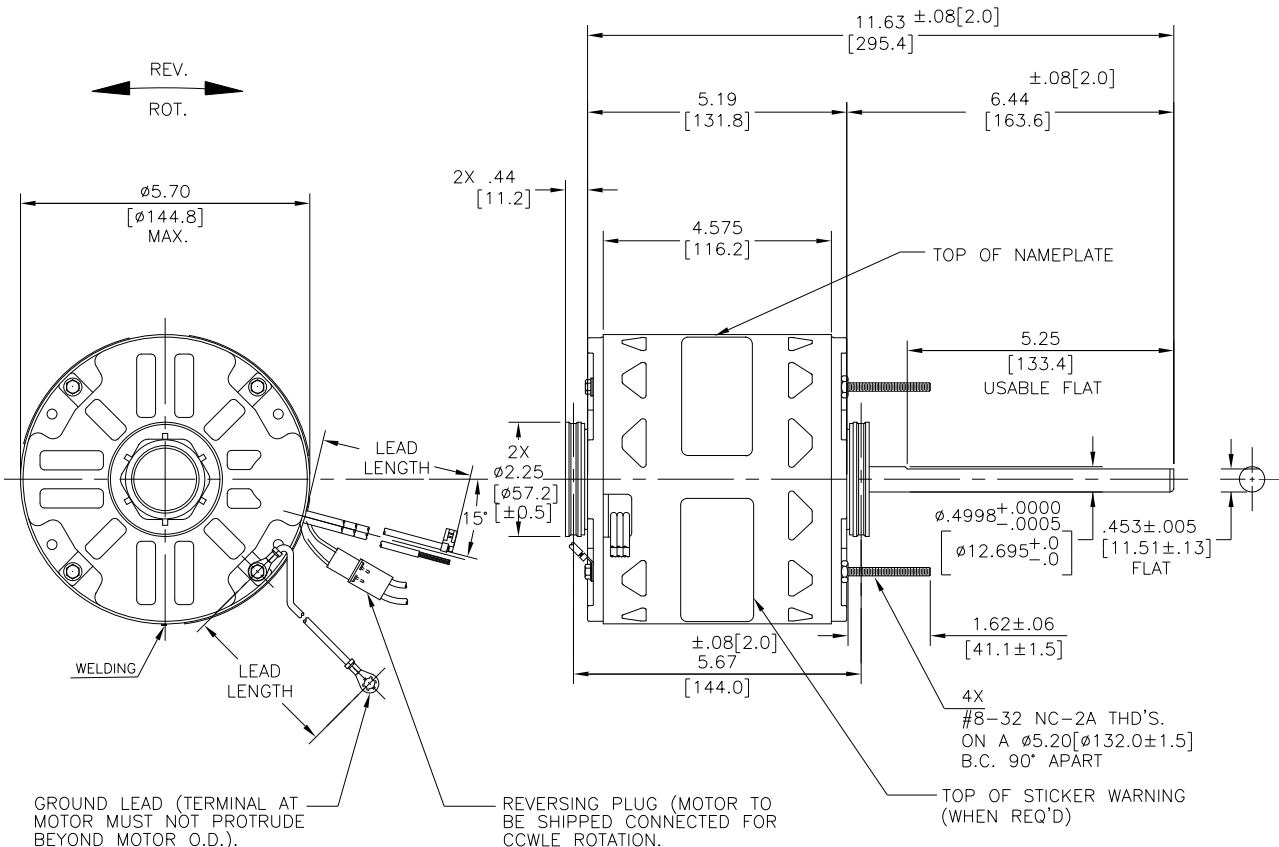
Electrical Type	Permanent Split Capacitor	Starting Method	Across The Line
Poles	6	Rotation	Reversible
Mounting	Resilient Rings	Motor Orientation	Horizontal
Drive End Bearing	Ball	Opp Drive End Bearing	Ball
Frame Material	Rolled Steel	Shaft Type	Flat
Overall Length	12.05 in	Frame Length	5.19 in
Shaft Diameter	0.500 in	Shaft Extension	6.5 in
Outline Drawing	FDL1056_FA	Connection Drawing	614131-111

This is an uncontrolled document once printed or downloaded and is subject to change without notice. Date Created:01/16/2024

REV	ECCO	REV BY	DATE	APPD	DATE
E	ECR-0216351 CONSERVATIONIST LABEL REMOVED	MG	15-04-22	LS	15-04-22

GENERAL INFORMATION:

SHAFT RUNOUT: .001[.03] T.I.R. PER INCH LENGTH OF EXTENSION.
 BEARINGS: BALL
 MOUNTING POSITION: HORIZONTAL
 ELECTRICAL DATA:
 OVERLOAD PROTECTOR: AUTOMATIC RESET (T.I. 7AM 032)
 LEADS: NO. 18 GA., .03[.8] THK. 125°C INSUL.
 REVERSING LEADS: NO. 18 GA., .03[.8] THK. 125°C INSUL.
 GROUND LEAD: NO. 18 GA., .03[.8] THK., (GREEN) INSUL.



SAMPLE SM19-505
NAMEPLATE DATA:

MODEL: 5KCP39NGDD708S
CUST. P/N: FDL1056
HP: 1/2
ROT.: REVERSIBLE
RPM: 1075/3 SPD.
TYPE: UF
FRAME: 48Y
VOLTS: 115
PH: 1
AMPS: 7.4
HZ: 60
INS.: B
AMB: 50 °C
DUTY: AIR OVER
CAP.: 10 MFD/370 V
THERMALLY PROTECTED

EXTERNAL CONNECTION DIAGRAM

BROWN SEP. CAP.
BROWN/W.

YELLOW

BLACK HI LINE
BLUE MED
RED LO

ROTATION

BLACK WHITE
WHITE WHITE

BLACK CCWLE WHITE
WHITE CWLE BLACK

614131-111

MADE IN INDIA

COLOR	LENGTH	TERMINAL OR STRIP LENGTH
GREEN(GRD)	12.0/13.0 [305/330]	#10 EYELET
BLACK/WHITE	3.0/5.0 [76/127]	REVERSING PLUG
BROWN	26.0/28.0 [660/711]	.25[6.4] FLAG
BROWN/WHITE	26.0/28.0 [660/711]	.25[6.4] FLAG
YELLOW	26.0/28.0 [660/711]	.50[12.7] SKIN
BLACK	26.0/28.0 [660/711]	.50[12.7] SKIN
BLUE	26.0/28.0 [660/711]	.50[12.7] SKIN
RED	26.0/28.0 [660/711]	.50[12.7] SKIN

LEAD DATA

- NOTE:
1. SNAP RINGS 615035(4 REQ'D) TO BE PACKED WITH EACH MOTOR.
 2. DISTRIBUTION: CUST. P/N: FDL1056 GRAINGER: CUST. P/N: 4MA70
 3. ALL LABEL READ FROM LE.
 4. SPRING SHIM/THRUST WASHER IN OLE SIDE.

MAIN FR.-OLE	OPEN
END FR.-OLE	OPEN
MAIN FR.-LE	OPEN
END FR.-LE	OPEN

ENCLOSED

CUST.	DISTRIBUTION SERVICE
-------	----------------------

GEOMETRIC CHARACTERISTICS & SYMBOLS

- FLATNESS
- STRAIGHTNESS
- ANGULARITY
- PERPENDICULARITY (SQUARENESS)
- PARALLELISM
- ROUNDNESS (CIRCULARITY)
- CYLINDRICITY
- PROFILE OF ANY SURFACE
- PROFILE OF ANY LINE
- RUNOUT
- TRUE POSITION
- CONCENTRICITY
- SYMMETRY

ASME Y14.5M 1994

REGAL-BELOIT CORPORATION (RBC) PROVIDES TECHNICAL ASSISTANCE TO OUR CUSTOMERS IN SEVERAL AREAS. SINCE RBC DOES NOT RECEIVE ALL DATA CONCERNING THE USE AND APPLICATION OF THE MOTOR, THE SUITABILITY OF THE MOTOR FOR THE APPLICATION MUST BE DETERMINED BY THE CUSTOMER.

DIMENSIONS WITHOUT TOLERANCES ARE FOR REFERENCE ONLY.

DR BY: MK 21.01.20
 APPD: .LS .21.01.20
 THIRD ANGLE PROJECTION

EDS DATE
 FORMAT REV G

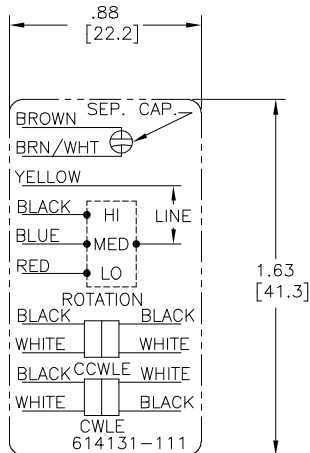
CONFIDENTIAL: THIS DRAWING AND ITS INFORMATION ARE THE EXCLUSIVE AND CONFIDENTIAL PROPERTY OF REGAL-BELOIT CORPORATION AND ARE NOT TO BE DISCLOSED, DUPLICATED, DISTRIBUTED OR OTHERWISE USED WITHOUT THE WRITTEN CONSENT OF REGAL-BELOIT CORPORATION. -ALL RIGHTS RESERVED.

DESCRIPTION
 MODEL-RFHP-48FR
 OUTLINE

SIZE C DWG NO FDL1056_FA
 SCALE NONE SHEET 1

A

A



NOTES:

1. FOR USE WITH 614129 NAMEPLATE BLANK
2. ----- INDICATES DIMENSION LIMITS
3. DIE TO BE MADE FROM MASTER SUPPLIED BY A. O. SMITH CORPORATION
4. DIE MUST PRODUCE A LEGIBLE IMPRESSION.

DRAWING REVISION		REVISION BY	DATE	TOLERANCES UNLESS OTHERWISE SPECIFIED		DRAWN BY:		Regal Beloito America, Inc.		
D		J. RUPERT	04-14-2021	DEC.	INCH	mm	ANGLE		DESCRIPTION CONNECTION DIAGRAM EXTERNAL	
ECO		APPROVED BY	DATE	.X	±0.1	[±2.5]	±0.5°	APPROVED BY:		
NMR-0208129		J. RUPERT	04-14-2021	.XX	±0.02	[±0.51]		T. RILEY		
ECO DESCRIPTION				.XXX	±0.005	[±0.127]		DATE:		
UP ISSUED				.XXXX	±0.0005	[±0.0127]		05-25-2010		
COPYRIGHT REGAL BELOITO AMERICA, INC. ALL RIGHTS RESERVED. PROPRIETARY AND CONFIDENTIAL INFORMATION - THIS DOCUMENT IS THE PROPERTY OF REGAL BELOITO AMERICA, INC. ("OWNER") AND CONTAINS OWNER'S PROPRIETARY INFORMATION. ANY PERSON, CORPORATION OR OTHER FIRM RECEIVING IT IS DEEMED BY RECEIVING IT, TO AGREE THAT IT, AND/OR ANY PART OF IT, SHALL NOT BE DISCLOSED TO ANY PERSON, CORPORATION OR OTHER ENTITY, DUPLICATED, AND/OR USED, EXCEPT AS EXPRESSLY APPROVED IN WRITING IN ADVANCE BY OWNER. THIS DOCUMENT SHALL BE RETURNED TO OWNER UPON REQUEST. IT MAY BE SUBJECT TO CERTAIN RESTRICTIONS UNDER APPLICABLE EXPORT CONTROL LAWS AND REGULATIONS.				REMOVE BURRS & BREAK SHARP EDGES .003/.015 [076/381] X 45° CORNER FILLETS R.02 [51] MACHINED SURFACES		REFERENCE		MATERIAL	PROCESS/FINISH	
				4 of 4 mm SHOWN IN [BRACKETS]		THIRD ANGLE PROJECTION		SIZE	DWG NO	
								A	614131-111	SHEET
									1	