

PRODUCT INFORMATION PACKET



Model No: C658ES
Catalog No: C658ES

General Purpose Motor, .75 HP, 1 Ph, 60 Hz, 115/208-230 V, 1800 RPM, 56 Frame, DP



Regal and Century are trademarks of Regal Rexnord Corporation or one of its affiliated companies.
©2023 Regal Rexnord Corporation, All Rights Reserved. MC017097E





Nameplate Specifications

Output HP	.75 Hp	Output KW	0.56 kW
Frequency	60 Hz	Voltage	115/208-230 V
Current	6.6/3.5-3.3 A	Speed	1725 rpm
Service Factor	1.25	Phase	1
Efficiency	81.8 %	Duty	Continuous
Insulation Class	B	Frame	56
Enclosure	Drip Proof	Thermal Protection	Thermally Protected
Ambient Temperature	40 °C	UL	Recognized
CSA	Y	CE	Y
Number of Speeds	1		

Technical Specifications

Electrical Type	Capacitor Start Capacitor Run	Starting Method	Across The Line
Poles	4	Rotation	Selective Counterclockwise
Mounting	Rigid Base	Drive End Bearing	Ball
Opp Drive End Bearing	Ball	Frame Material	Rolled Steel
Shaft Type	NEMA 56	Overall Length	12.49 in
Frame Length	6.75 in	Shaft Diameter	0.625 in
Shaft Extension	1.88 in		
Connection Drawing	DD10025-001	Outline Drawing	OL56100174-001

This is an uncontrolled document once printed or downloaded and is subject to change without notice. Date Created:03/15/2023

Uncontrolled Copy

4 3 2 1

D

D

C

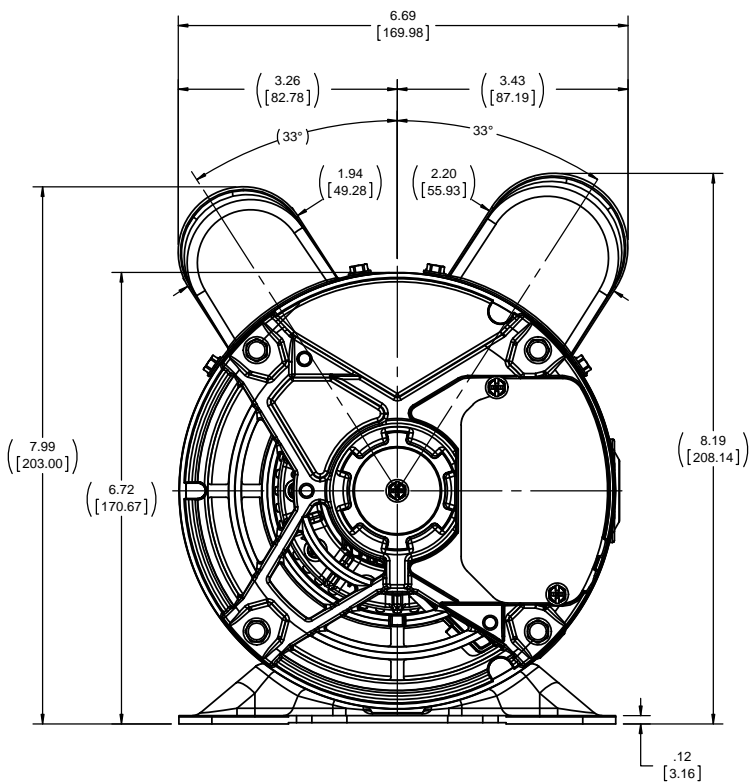
C

B

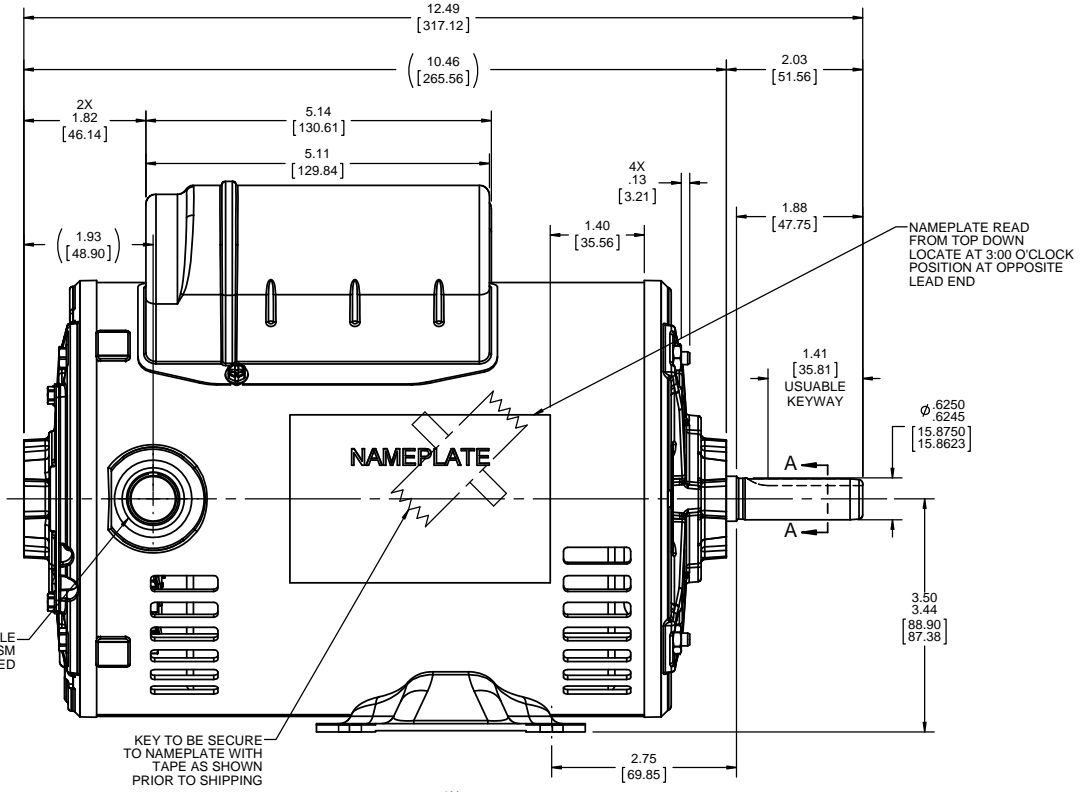
B

A

A

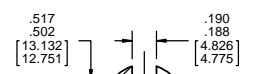


THREADED HOLE
1/2-14 NPSM
PLUGGED

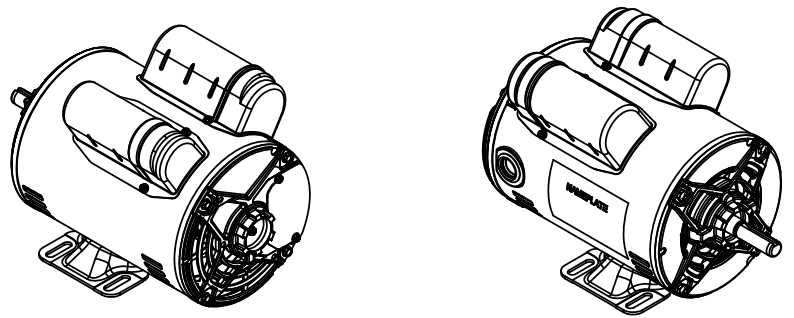
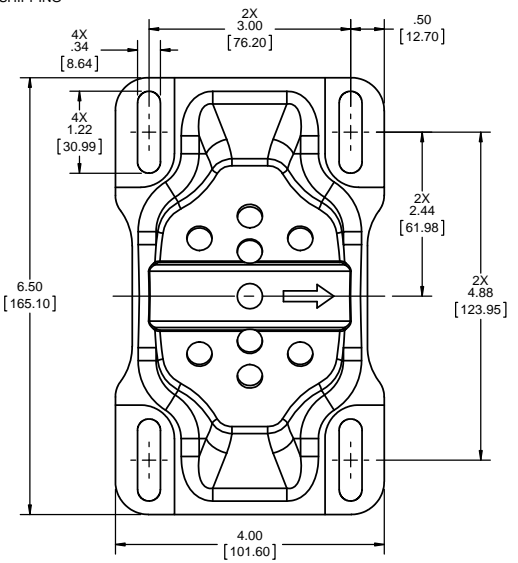


NAMEPLATE READ FROM TOP DOWN LOCATE AT 3:00 O'CLOCK POSITION AT OPPOSITE LEAD END

KEY TO BE SECURE TO NAMEPLATE WITH TAPE AS SHOWN PRIOR TO SHIPPING



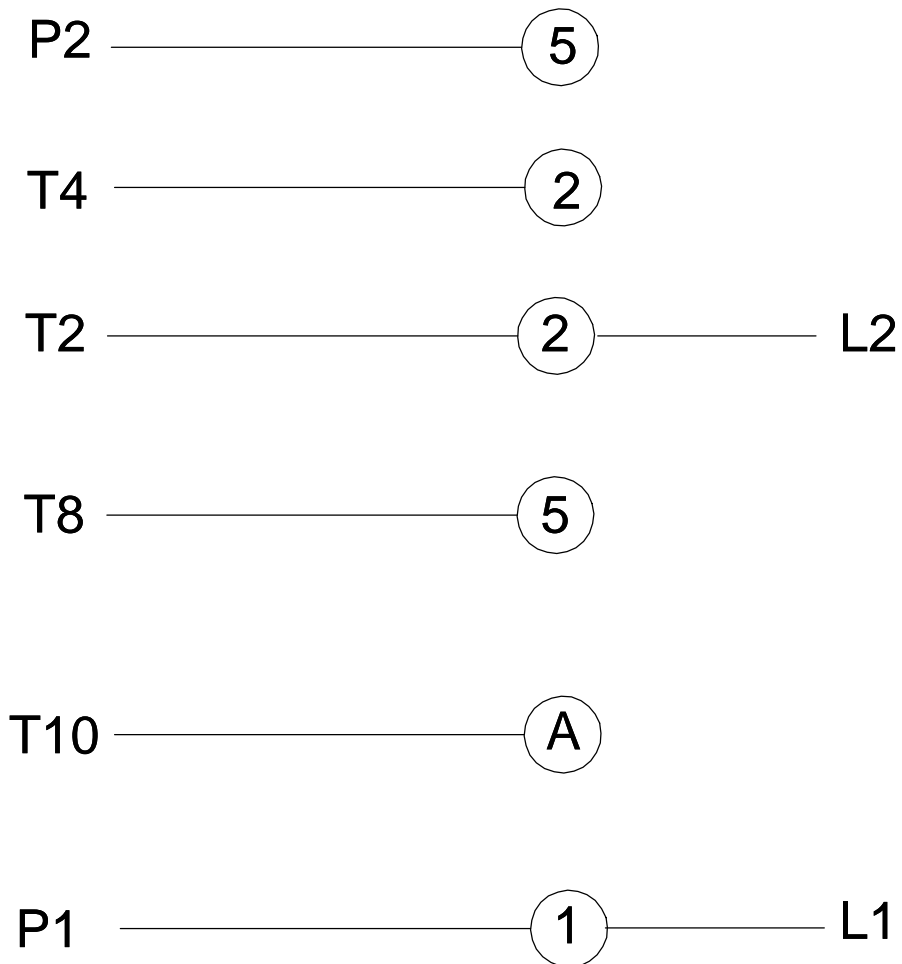
SECTION A-A



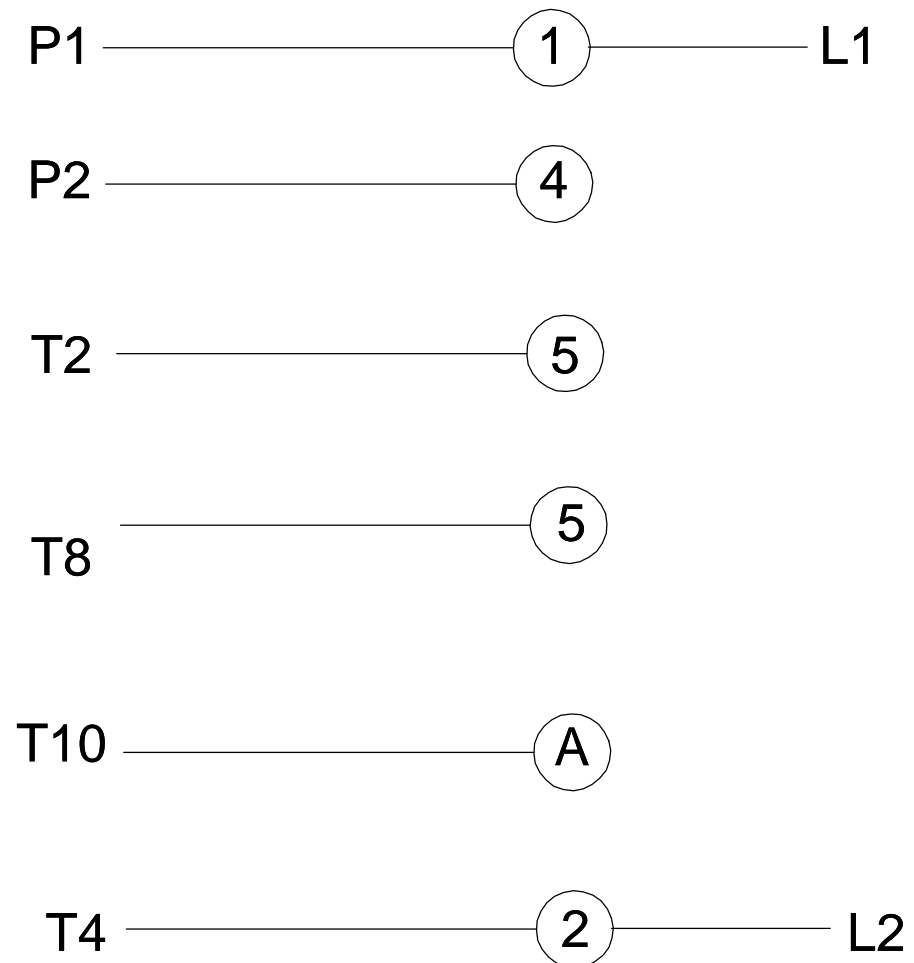
4 3 2 1

DRAWING REVISION A	REVISION BY D.VALENCIANO	DATE 10-27-2016	TOLERANCES UNLESS OTHERWISE SPECIFIED: DEC. INCH mm ANGLE X ±0.1 [±2.5] 30.5° XX ±0.03 [±0.76] XXX ±0.005 [±0.127] .XXXX ±0.0005 [±0.0127]	DRAWN BY D.VALENCIANO	Regal Beloit America, Inc.
ECO ECO-0111711	APPROVED BY	DATE	DATE 10-27-2016	APPROVED BY J.ORTEGA	
NEW MODEL RELEASE			REMOVE BURRS & BREAK SHARP EDGES: .003/.015 [0.076/.381] X 45° CORNER FILLETS: R.02 [51]	DATE 10-27-2016	DESCRIPTION 56FR,ODP,1-PHASE,RIGID
<small>COPYRIGHT REGAL BELOIT AMERICA, INC. ALL RIGHTS RESERVED. PROPRIETARY AND CONFIDENTIAL INFORMATION - THIS DOCUMENT IS THE PROPERTY OF REGAL BELOIT AMERICA, INC. FORMER AND CONTAINS OWNER'S PROPRIETARY INFORMATION. ANY PERSON, CORPORATION OR OTHER FIRM RECEIVING IT IS DEEMED, BY RECEIVING IT, TO AGREE THAT IT, AND/OR ANY PART OF IT, SHALL NOT BE DISCLOSED TO ANY PERSON, CORPORATION OR OTHER ENTITY, DUPLICATED, AND/OR USED, EXCEPT AS EXPRESSLY APPROVED IN WRITING IN ADVANCE BY OWNER. THIS DOCUMENT SHALL BE RETURNED TO OWNER UPON REQUEST. IT MAY BE SUBJECT TO CERTAIN RESTRICTIONS UNDER APPLICABLE EXPORT CONTROL LAWS AND REGULATIONS.</small>			MACHINED SURFACES: 1/25 √mm 3/2 INCH √mm	REFERENCE	MATERIAL
			mm SHOWN IN [BRACKETS]	THIRD ANGLE PROJECTION	PROCESS FINISH
			SIZE C	DRAWING NUMBER OL56100174-001	SHEET 1 OF 1

LOW VOLTAGE



HIGH VOLTAGE



ROTATION CCW-LE TO REVERSE EITHER VOLTAGE INTERCHANGE T8 AND T10 LEADS

DD10025-001

PLATE: 41365

SLOT: 22

DRAWING REVISION B	REVISION BY A.ARREOLA	DATE 03-22-2018	TOLERANCES UNLESS OTHERWISE SPECIFIED: DEC. INCH mm ANGLE .X ±0.1 [±2.5] ±0.5° .XX ±0.01 [±0.25] .XXX ±0.005 [±0.127] .XXXX ±0.0005 [±0.0127]	DRAWN BY C. CONTRERAS	Regal Beloit America, Inc.
ECO ECO-0137052	APPROVED BY A.ARREOLA	DATE 03-22-2018		DATE 10-06-2016	
ECO DESCRIPTION UPDATE TO SYSTEM			REMOVE BURRS & BREAK SHARP EDGES: .003/.015 [.076/.381] X 45 ° CORNER FILLETS: R.02 [.51] MACHINED SURFACES: 125/3.2 INCH/mm	APPROVED BY C. CONTRERAS	DESCRIPTION CONN DIAGRAM-NAMEPLATE
COPYRIGHT REGAL BELOIT AMERICA, INC. ALL RIGHTS RESERVED. PROPRIETARY AND CONFIDENTIAL INFORMATION - THIS DOCUMENT IS THE PROPERTY OF REGAL BELOIT AMERICA, INC. ("OWNER") AND CONTAINS OWNER'S PROPRIETARY INFORMATION. ANY PERSON, CORPORATION OR OTHER FIRM RECEIVING IT IS DEEMED, BY RECEIVING IT, TO AGREE THAT IT, AND/OR ANY PART OF IT, SHALL NOT BE DISCLOSED TO ANY PERSON, CORPORATION OR OTHER ENTITY, DUPLICATED, AND/OR USED, EXCEPT AS EXPRESSLY APPROVED IN WRITING IN ADVANCE BY OWNER. THIS DOCUMENT SHALL BE RETURNED TO OWNER UPON REQUEST. IT MAY BE SUBJECT TO CERTAIN RESTRICTIONS UNDER APPLICABLE EXPORT CONTROL LAWS AND REGULATIONS.			THIRD ANGLE PROJECTION	DATE 10-06-2016	MATERIAL
			mm SHOWN IN [BRACKETS]	REFERENCE	PROCESS/FINISH
				SIZE B	DRAWING NUMBER DD10025-001
					SHEET 1 OF 1