

PRODUCT INFORMATION PACKET



Model No: BL6533

Catalog No: BL6533

Fan and Blower Motor, 1/6 HP, 1 Ph, 60 Hz, 115 V, 1050 RPM, 3 Speed, 42 Frame, OPEN



Regal and Century are trademarks of Regal Rexnord Corporation or one of its affiliated companies.
©2022 Regal Rexnord Corporation, All Rights Reserved. MC017097E





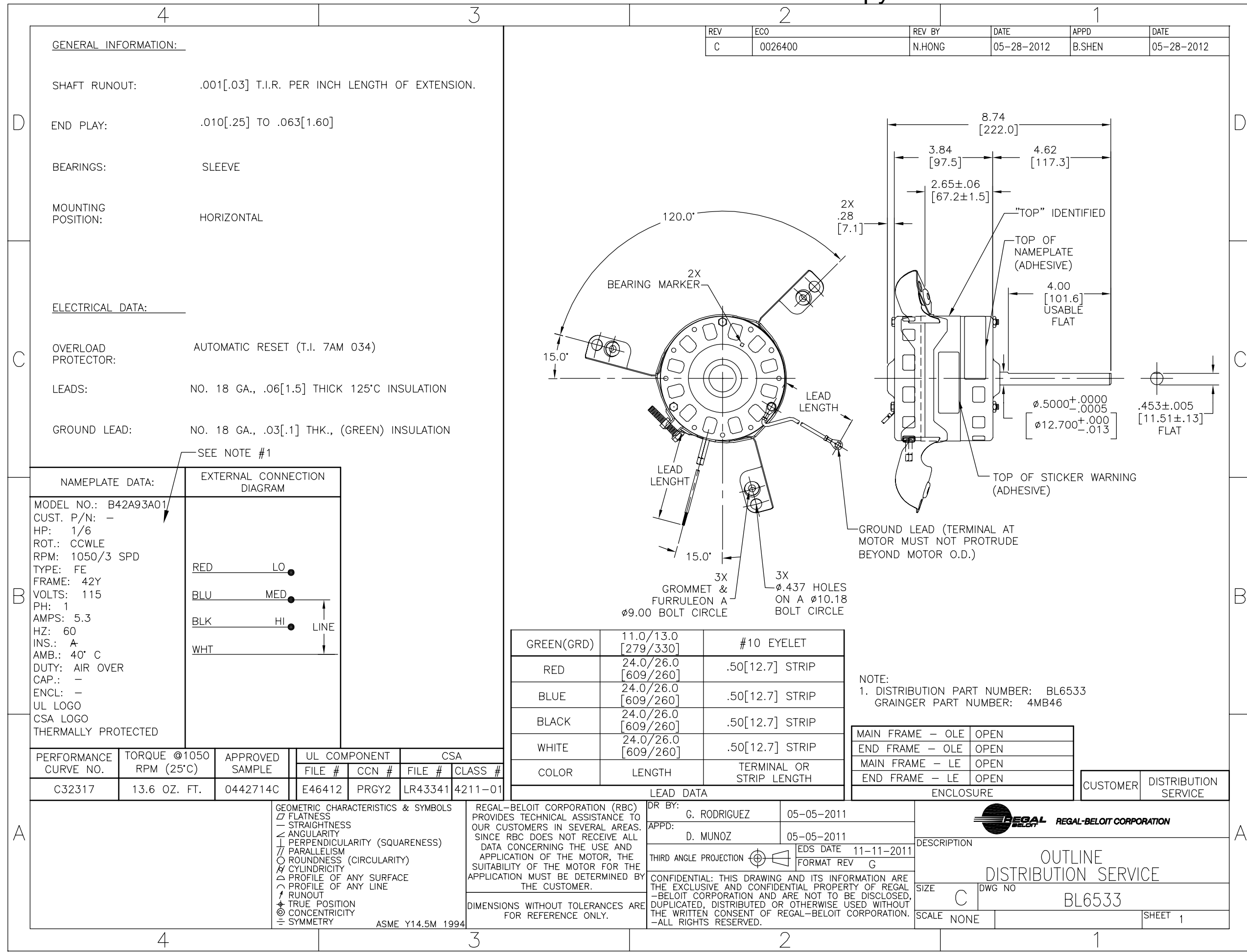
Nameplate Specifications

Output HP	1/6 Hp	Output KW	0.13 kW
Frequency	60 Hz	Voltage	115 V
Current	5.3 A	Speed	1050 rpm
Service Factor	1	Phase	1
Duty	Air Over	Insulation Class	A
Frame	42Y	Enclosure	Open Enclosed
Thermal Protection	Automatic	Ambient Temperature	40 °C
UL	Recognized	CSA	Y
CE	N	Number of Speeds	3

Technical Specifications

Electrical Type	Shaded Pole	Starting Method	Across The Line
Poles	6	Rotation	Counterclockwise Lead End
Mounting	Flexible Arms	Motor Orientation	Horizontal
Drive End Bearing	Sleeve	Opp Drive End Bearing	Sleeve
Frame Material	N/A	Shaft Type	Flat
Overall Length	8.84 in	Shaft Diameter	0.500 in
Shaft Extension	4.6 in		
Outline Drawing	BL6533-S01	Connection Drawing	7559A83F01

This is an uncontrolled document once printed or downloaded and is subject to change without notice. Date Created:11/28/2022



GENERAL INFORMATION:

SHAFT RUNOUT: .001[.03] T.I.R. PER INCH LENGTH OF EXTENSION.

END PLAY: .010[.25] TO .063[1.60]

BEARINGS: SLEEVE

MOUNTING POSITION: HORIZONTAL

ELECTRICAL DATA:

OVERLOAD PROTECTOR: AUTOMATIC RESET (T.I. 7AM 034)

LEADS: NO. 18 GA., .06[1.5] THICK 125°C INSULATION

GROUND LEAD: NO. 18 GA., .03[.1] THK., (GREEN) INSULATION

REV	ECO	REV BY	DATE	APPD	DATE
C	0026400	N.HONG	05-28-2012	B.SHEN	05-28-2012

NAMEPLATE DATA:	EXTERNAL CONNECTION DIAGRAM
MODEL NO.: B42A93A01 CUST. P/N: - HP: 1/6 ROT.: CCWLE RPM: 1050/3 SPD TYPE: FE FRAME: 42Y VOLTS: 115 PH: 1 AMPS: 5.3 HZ: 60 INS.: A AMB.: 40° C DUTY: AIR OVER CAP.: - ENCL.: - UL LOGO CSA LOGO THERMALLY PROTECTED	

COLOR	LENGTH	TERMINAL OR STRIP LENGTH
GREEN(GRD)	11.0/13.0 [279/330]	#10 EYELET
RED	24.0/26.0 [609/260]	.50[12.7] STRIP
BLUE	24.0/26.0 [609/260]	.50[12.7] STRIP
BLACK	24.0/26.0 [609/260]	.50[12.7] STRIP
WHITE	24.0/26.0 [609/260]	.50[12.7] STRIP

NOTE:
 1. DISTRIBUTION PART NUMBER: BL6533
 GRAINGER PART NUMBER: 4MB46

MAIN FRAME - OLE	OPEN
END FRAME - OLE	OPEN
MAIN FRAME - LE	OPEN
END FRAME - LE	OPEN

CUSTOMER	DISTRIBUTION SERVICE
----------	----------------------

PERFORMANCE CURVE NO.	TORQUE @1050 RPM (25°C)	APPROVED SAMPLE	UL COMPONENT FILE #	CCN #	CSA FILE #	CLASS #
C32317	13.6 OZ. FT.	0442714C	E46412	PRGY2	LR43341	4211-01

GEOMETRIC CHARACTERISTICS & SYMBOLS

- FLATNESS
- STRAIGHTNESS
- ANGULARITY
- PERPENDICULARITY (SQUARENESS)
- PARALLELISM
- ROUNDNESS (CIRCULARITY)
- CYLINDRICITY
- PROFILE OF ANY SURFACE
- PROFILE OF ANY LINE
- RUNOUT
- TRUE POSITION
- CONCENTRICITY
- SYMMETRY

ASME Y14.5M 1994

REGAL-BELOIT CORPORATION (RBC) PROVIDES TECHNICAL ASSISTANCE TO OUR CUSTOMERS IN SEVERAL AREAS. SINCE RBC DOES NOT RECEIVE ALL DATA CONCERNING THE USE AND APPLICATION OF THE MOTOR, THE SUITABILITY OF THE MOTOR FOR THE APPLICATION MUST BE DETERMINED BY THE CUSTOMER.

DIMENSIONS WITHOUT TOLERANCES ARE FOR REFERENCE ONLY.

DR BY: G. RODRIGUEZ 05-05-2011

APPD: D. MUNOZ 05-05-2011

THIRD ANGLE PROJECTION

EDS DATE 11-11-2011
 FORMAT REV G

CONFIDENTIAL: THIS DRAWING AND ITS INFORMATION ARE THE EXCLUSIVE AND CONFIDENTIAL PROPERTY OF REGAL-BELOIT CORPORATION AND ARE NOT TO BE DISCLOSED, DUPLICATED, DISTRIBUTED OR OTHERWISE USED WITHOUT THE WRITTEN CONSENT OF REGAL-BELOIT CORPORATION. -ALL RIGHTS RESERVED.

REGAL-BELOIT CORPORATION

DESCRIPTION: **OUTLINE DISTRIBUTION SERVICE**

SIZE: C DWG NO: BL6533

SCALE: NONE SHEET 1

REVISION:	ECO	REVISADO POR:	FECHA:	APROBADO POR:	FECHA:
C	0026400	N.HONG	05-28-2012	B.SHEN	05-28-2012

INFORMACION GENERAL:

OSCILACION DE FLECHA: .001[.03] L.T.I. EXTENSION DE LARGO POR PULGADA

JUEGO AXIAL: .010[.25] TO .063[1.60]

BALEROS: MANGA

POSICION DEL MONTAJE: HORIZONTAL

INFORMACION ELECTRICA:

PROTECTOR DE SOBRECARGA: REINICIO AUTOMATICO (T.I. 7AM 034)

CABLES: NO. 18 GA., .06[1.5] THK. 125°C INSUL.

CABLE DE TIERRA: NO. 18 GA., .03[.1] THK., (VERDE) INSUL.

VER NOTA #1

INFORMACION DE ETIQUETA:	DIAGRAMA DE CONEXION EXTRNA
MODEL NO.: B42A93A01 CUST. P/N: - HP: 1/6 ROT.: CCWLE RPM: 1050/3 SPD TYPE: FE FRAME: 42Y VOLTS: 115 PH: 1 AMPS: 5.3 HZ: 60 INS.: A AMB.: 40° C DUTY: AIR OVER CAP.: - ENCL.: - UL LOGO CSA LOGO THERMALLY PROTECTED	

CURVAS DE FUNCIONAMIENTO	TORSION @ RPM (25°C)	MUESTRA APROBADA	COMPONENTE UL		CSA	
C32317	13.6 OZ. FT.	0442714C	#ARCHIVO	CCN #	#ARCHIVO	CLASE #
			E46412	PRGY2	LR43341	4211-01

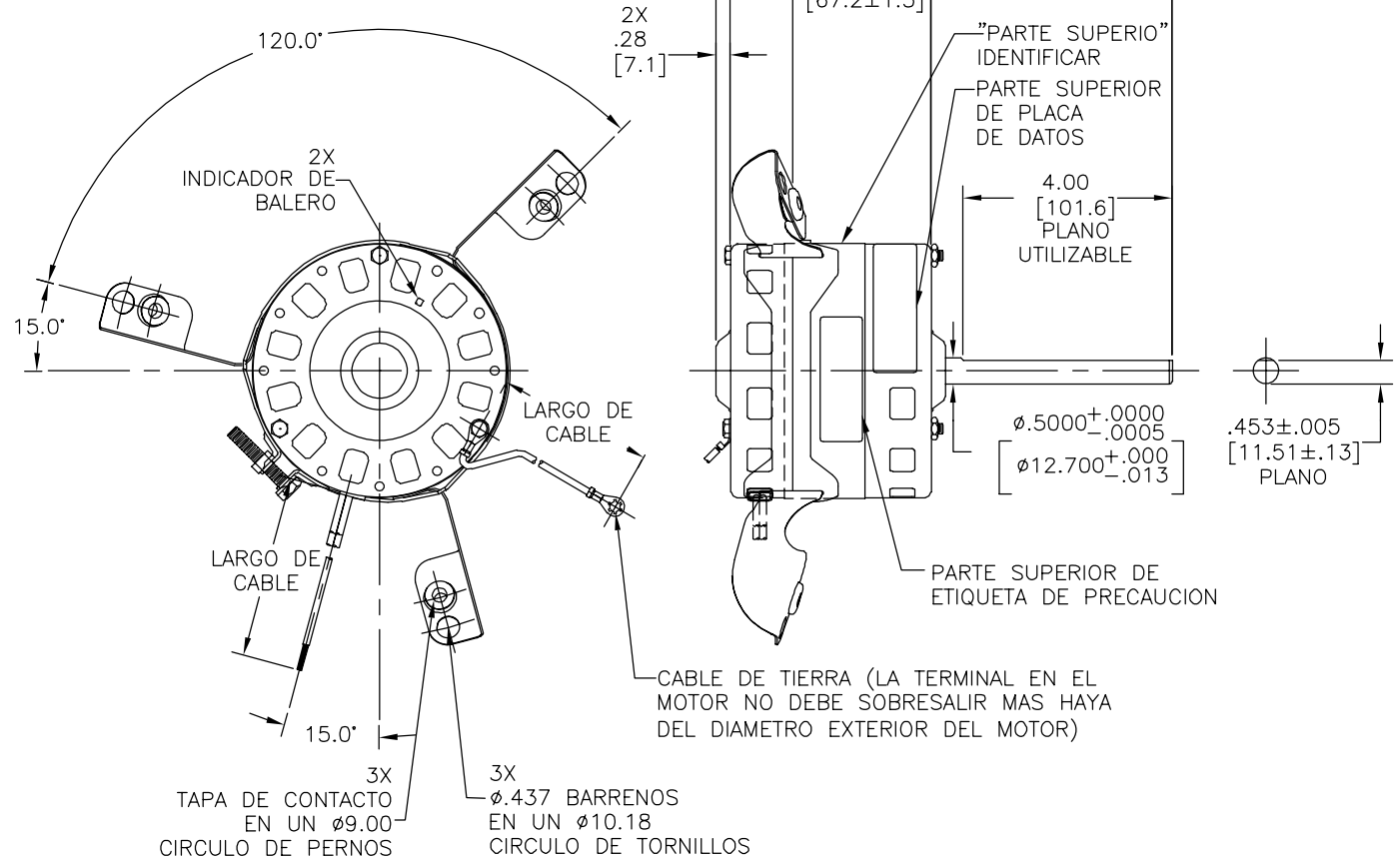
CARACTERISTICAS DE GEOMETRIA Y SIMBOLOS

- ☑ PLANICIDAD
- RECTITUD
- ∠ ANGULARIDAD
- ⊥ PERPENDICULARIDAD (A ESCUADRA)
- // PARALELISMO
- REDONDEZ (CIRCULARIDAD)
- ⊘ CILINDRICIDAD
- △ PERFIL DE CUALQUIER SUPERFICIE
- ∩ PERFIL DE CUALQUIER LINEA
- ∇ VARIACION
- ⊕ POSICION REAL
- ⊙ CONCENTRICIDAD
- = SIMETRIA

ASME Y14.5M 1994

REGAL-BELOIT CORPORATION (RBC) PROVEE ASISTENCIA TECNICA A NUESTROS CLIENTES EN VARIAS AREAS. DESDE QUE RBC NO RECIBE TODOS LOS DATOS EN RELACION AL USO Y A LA APLICACION DEL MOTOR, LA APLICACION ADECUADA DEL MOTOR DEBE SER DETERMINADA POR EL CLIENTE.

DIMENSIONES SIN TOLERANCIA SON DE REFERENCIA SOLAMENTE



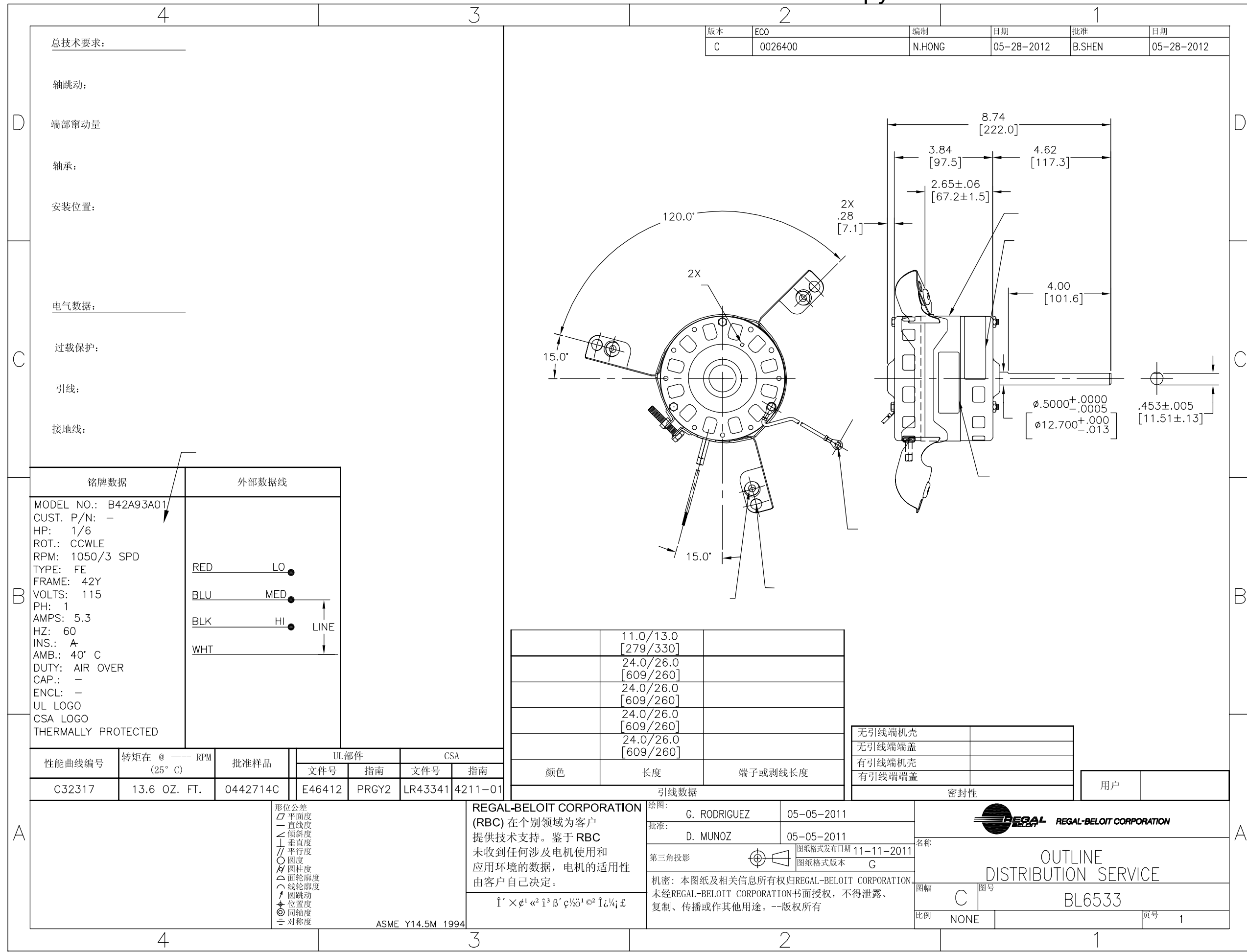
VERDE(TIERRA)	11.0/13.0 [279/330]	#10 OJAL
ROJO	24.0/26.0 [609/260]	.50[12.7] DESFORRE
AZUL	24.0/26.0 [609/260]	.50[12.7] DESFORRE
NEGRO	24.0/26.0 [609/260]	.50[12.7] DESFORRE
BLANCO	24.0/26.0 [609/260]	.50[12.7] DESFORRE
COLOR	LONGITUD	TERMINAL O LONGITUD DE DESFORRE

NOTA:
1. NUMERO DE PARTE DE DISTRIBUCION: BL6533
NUMERO DE PARTE GRAINGER: 4MB46

CARCASA - LOC	ABIERTO
TAPA - LOC	ABIERTO
CARCASA - LC	ABIERTO
TAPA - LC	ABIERTO

CLIENTE	SERVICIO DISTRIBUCION
---------	-----------------------

INFORMACION DE CABLES		TIPO DE MOTOR	
DIBUJADO POR: G. RODRIGUEZ	05-05-2011	DESCRIPCION: OUTLINE DISTRIBUTION SERVICE	
APROBADO POR: D. MUNOZ	05-05-2011		
TERCER ANGULO DE PROYECCION	FECHA EDS: 11-11-2011 REV. FORMATO: G	TAMAÑO: C	NUMERO DE DIBUJO: BL6533
CONFIDENCIAL: ESTE DIBUJO Y SU INFORMACION SON PROPIEDAD DE USO EXCLUSIVO Y CONFIDENCIAL DE REGAL-BELOIT CORPORATION. Y NO DEBERAN SER REVELADOS, DUPLICADOS, DISTRIBUIDOS O USARSE DE OTRA MANERA SIN EL CONSENTIMIENTO ESCRITO DE REGAL-BELOIT CORPORATION. -TODOS LOS DERECHOS RESERVADOS.		ESCALA: NONE	HOJA: 1



版本	ECO	编制	日期	批准	日期
C	0026400	N.HONG	05-28-2012	B.SHEN	05-28-2012

总技术要求:
轴跳动:
端部窜动量
轴承:
安装位置:
电气数据:
过载保护:
引线:
接地线:

铭牌数据	外部数据线
MODEL NO.: B42A93A01 CUST. P/N: - HP: 1/6 ROT.: CCWLE RPM: 1050/3 SPD TYPE: FE FRAME: 42Y VOLTS: 115 PH: 1 AMPS: 5.3 HZ: 60 INS.: A AMB.: 40° C DUTY: AIR OVER CAP.: - ENCL: - UL LOGO CSA LOGO THERMALLY PROTECTED	RED LO BLU MED BLK HI WHT LINE

	11.0/13.0 [279/330]	
	24.0/26.0 [609/260]	
	24.0/26.0 [609/260]	
	24.0/26.0 [609/260]	
	24.0/26.0 [609/260]	
颜色	长度	端子或剥线长度

无引线端机壳	
无引线端端盖	
有引线端机壳	
有引线端端盖	

用户	
----	--

性能曲线编号	转矩在 @ --- RPM (25° C)	批准样品	UL部件	CSA
C32317	13.6 OZ. FT.	0442714C	文件号 指南	文件号 指南
			E46412 PRGY2	LR43341 4211-01

- 形位公差
- 平面度
- 直线度
- ∠ 倾斜度
- ⊥ 垂直度
- ∥ 平行度
- 圆度
- ⊘ 圆柱度
- ⌒ 面轮廓度
- 线轮廓度
- ⊖ 圆跳动
- ⊕ 位置度
- ⊙ 同轴度
- ≡ 对称度

ASME Y14.5M 1994

REGAL-BELOIT CORPORATION (RBC) 在个别领域为客户提供技术支持。鉴于 RBC 未收到任何涉及电机使用和应用环境的数据，电机的适用性由客户自己决定。

î × ç¹ «² i³ B' ç½ó¹ e² îç¼j £

绘图:	G. RODRIGUEZ	05-05-2011
批准:	D. MUNOZ	05-05-2011
第三角投影	⊕	图纸格式发布日期 11-11-2011 图纸格式版本 G
机密: 本图纸及相关信息所有权归REGAL-BELOIT CORPORATION。未经REGAL-BELOIT CORPORATION书面授权, 不得泄露、复制、传播或作其他用途。--版权所有		

名称	OUTLINE DISTRIBUTION SERVICE
图幅	C
图号	BL6533
比例	NONE
页号	1