

# PRODUCT INFORMATION PACKET



Model No: 9643  
Catalog No: 9643  
Fan Coil & Air Conditioner Motor, 1/30-1/150-1/200 HP, 1 Ph, 60 Hz, 115 V, 1100 RPM, 3 Speed,  
42 Frame, OPEN



Regal and Century are trademarks of Regal Rexnord Corporation or one of its affiliated companies.  
©2023 Regal Rexnord Corporation, All Rights Reserved. MC017097E





**Nameplate Specifications**

Phase	1	Output HP	1/30-1/150-1/200 Hp
Output KW	0.02 kW	Voltage	115 V
Speed	1100 rpm	Service Factor	1.0
Frame	42Y	Enclosure	Open Enclosed
Thermal Protection	Automatic	Ambient Temperature	40 °C
Frequency	60 Hz	Current	0.6/0.2/0.2 A
Duty	Air Over	Insulation Class	B
UL	Recognized	CSA	Y
CE	N	Number of Speeds	3

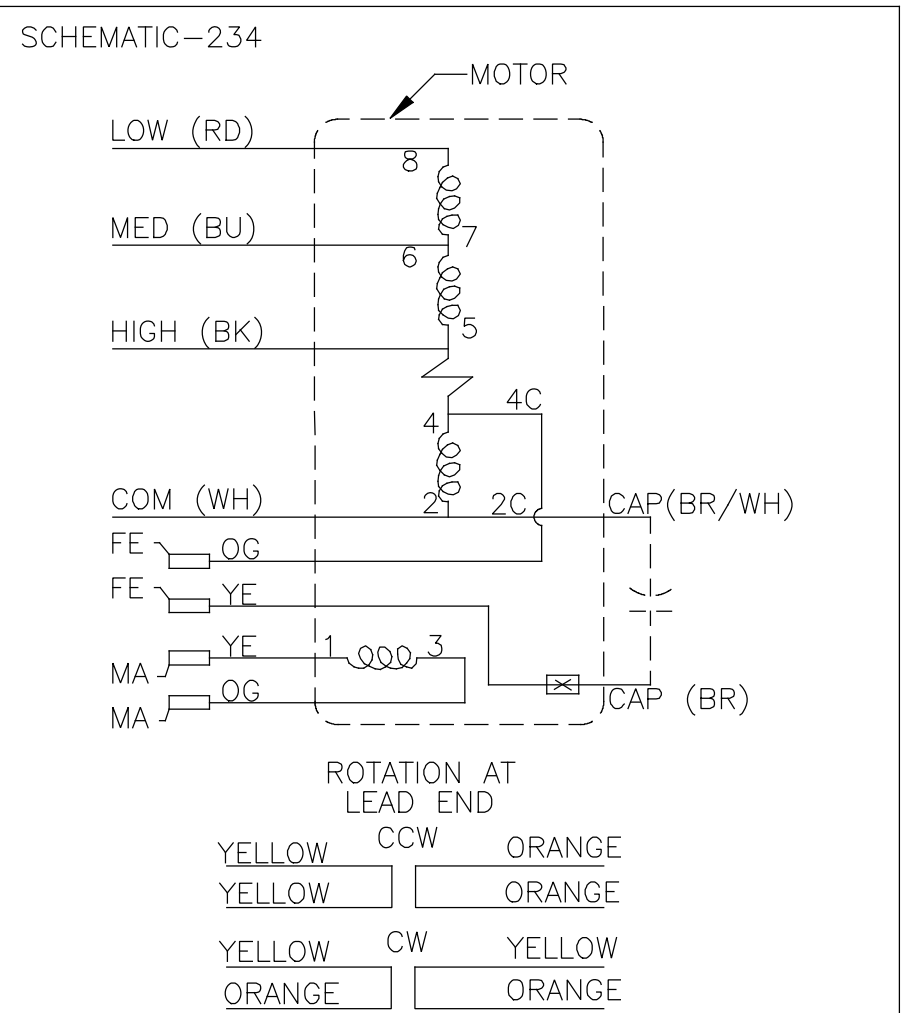
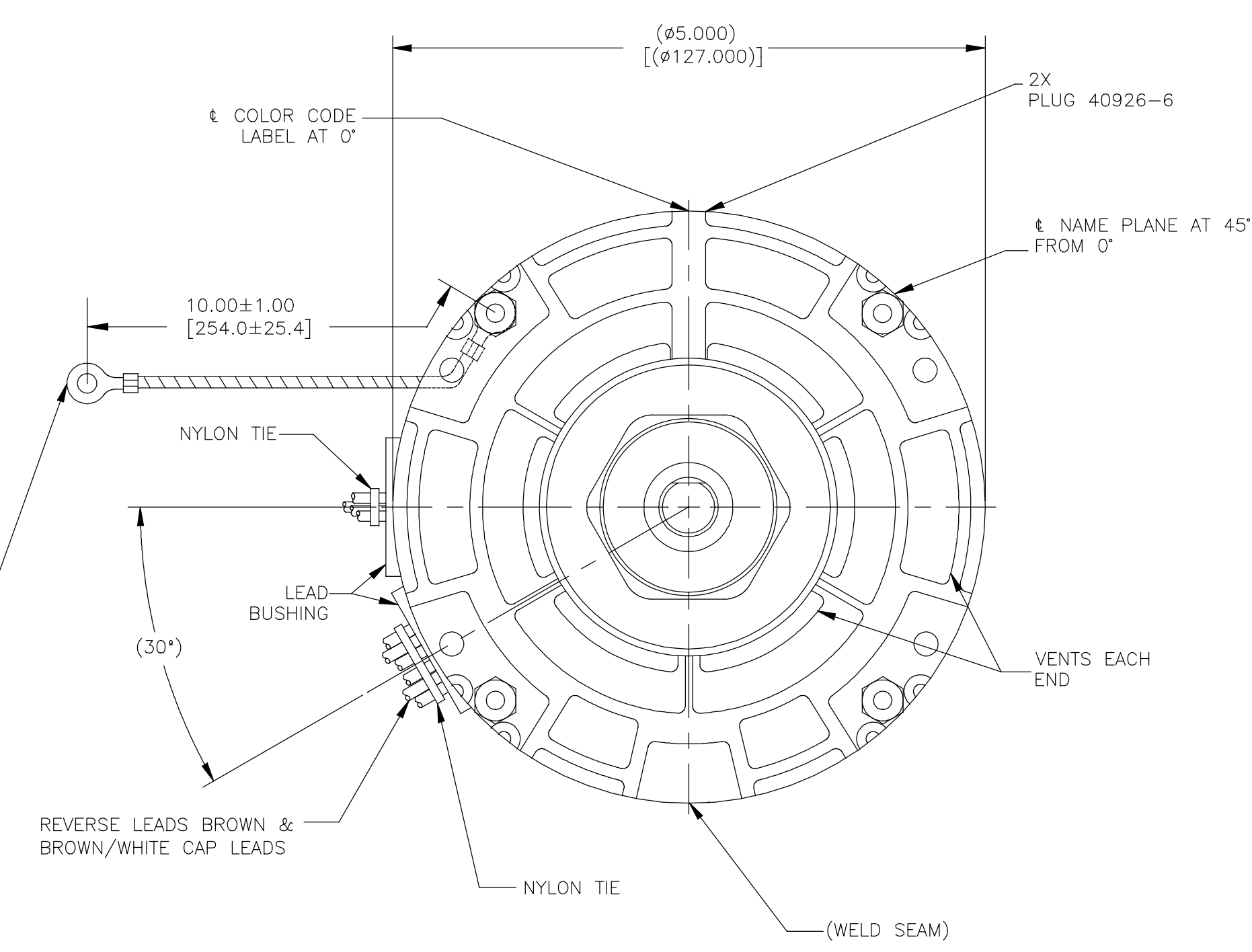
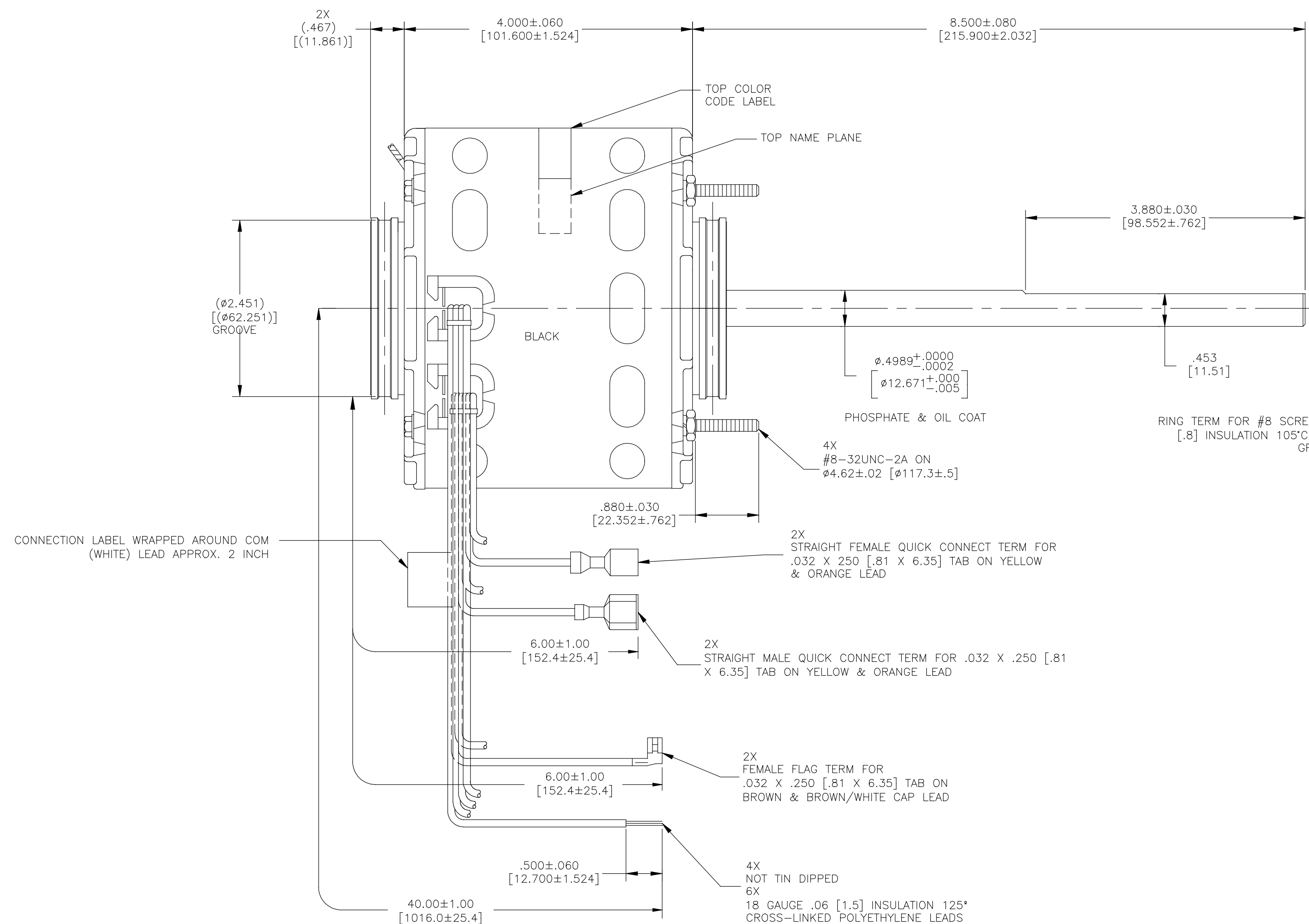
**Technical Specifications**

Electrical Type	Permanent Split Capacitor	Starting Method	Across The Line
Poles	6	Rotation	Reversible
Mounting	Resilient Rings	Motor Orientation	Horizontal
Drive End Bearing	Sleeve	Opp Drive End Bearing	Sleeve
Frame Material	Rolled Steel	Shaft Type	Flat
Overall Length	12.96 in	Frame Length	3.42 in
Shaft Diameter	0.500 in	Shaft Extension	8.5 in
Outline Drawing	DE3D7480-S01		

This is an uncontrolled document once printed or downloaded and is subject to change without notice. Date Created:08/01/2023

CUSTOMER IS SOLELY RESPONSIBLE FOR MOTOR PERFORMANCE AND SUITABILITY IN APPLICATIONS FOR CUSTOMER'S USES.

END PLAY .005 [.13] MIN - .040 [1.02] MAX  
 MAXIMUM SHAFT RUNOUT .001 [.03] PER INCH  
 MAXIMUM RUN OUT NOT TO EXCEED .010 [.25]



ELECTRICALLY PER SAMPLE S9743E EXCEPT CONSTRUCTION CURVE #32265

COLOR CODE 63T7452-6  
 BK HI .6A 1/30HP  
 BU MED .2A 1/150HP  
 RD LO .2A 1/200HP  
 WH COM

NOTES:  
 1. DISTRIBUTION: CUST. P/N: 9643  
 GRAINGER: CUST. P/N: 4MB14

CONNECTION LABEL 63T7433-18

ROT: REVERSIBLE REVERSIBLE

NAMEPLATE DATA:

**Century** Tipp City, OH THERMALLY PROTECTED **RA** **SP**

SER. DATE & PO# PLT LTR MOD DE3D480N'-----  
 VOLTS 115 HZ 60 AMPS  
 RPM 1100 SP PH CAP 5MFD 370VAC  
 INS CL B AMB 40°C HP ROT. REV  
 BRG SLV ASSEMBLED IN MEXICO

DRAWING REVISION	REVISION BY	DATE	TOLERANCES UNLESS OTHERWISE SPECIFIED	DRAWN BY:
J	CADDIE ZHOU	11-16-2018	DEC. INCH mm ANGLE	
ECO-0141715	MARIO DURAN	11-16-2018	X ±0.1 ±2.5 ±0.5°	DATE:
ECO DESCRIPTION			XX ±0.02 ±0.51	APPROVED BY:
@ZONE AS ADD REVERSE CONNECT			XXX ±0.005 ±0.127	DATE:
			XXXX ±0.0005 ±0.0127	PROCESS/FINISH:
			REMOVE BURRS & BREAK SHARP EDGES .003/.015 [0.076/.381]	MATERIAL:
			CORNER FILLETS .02 [511]	SIZE (DWS NO)
			MACHINED SURFACES .002 INCH / .05 mm	DE3D7480
			mm SHOWN IN [BRACKETS]	SHEET
			THIRD ANGLE PROJECTION	1