

PRODUCT INFORMATION PACKET



Model No: 767A
Catalog No: 767A

Unit Heater Motor, 1/4 HP, 1 Ph, 60 Hz, 115/230 V, 1725 RPM, 1 Speed, 48 Frame, ENCLOSED



Regal and Century are trademarks of Regal Rexnord Corporation or one of its affiliated companies.
©2022 Regal Rexnord Corporation, All Rights Reserved. MC017097E





Nameplate Specifications

Output HP	1/4 Hp	Output KW	0.19 kW
Frequency	60 Hz	Voltage	115/230 V
Current	3.0/1.6 A	Speed	1725 rpm
Service Factor	1	Phase	1
Duty	Air Over	Insulation Class	B
Frame	48Y	Enclosure	Totally Enclosed
Thermal Protection	Automatic	Ambient Temperature	60 °C
UL	Recognized	CSA	Y
CE	N	Number of Speeds	1

Technical Specifications

Electrical Type	Permanent Split Capacitor	Starting Method	Across The Line
Poles	4	Rotation	Reversible
Mounting	Resilient Base	Motor Orientation	Horizontal
Drive End Bearing	Ball	Opp Drive End Bearing	Ball
Frame Material	Rolled Steel	Shaft Type	Flat
Overall Length	12.25 in	Frame Length	6.00 in
Shaft Diameter	0.500 in	Shaft Extension	5.0 in
Connection Drawing	D0000313-002	Outline Drawing	767A-S01

This is an uncontrolled document once printed or downloaded and is subject to change without notice. Date Created:11/28/2022

4

3

2

1

GENERAL INFORMATION:

SHAFT RUNOUT: .001 [.03] T.I.R. PER INCH LENGTH OF EXTENSION

BEARINGS: BALL

MOUNTING POSITION: HORIZONTAL

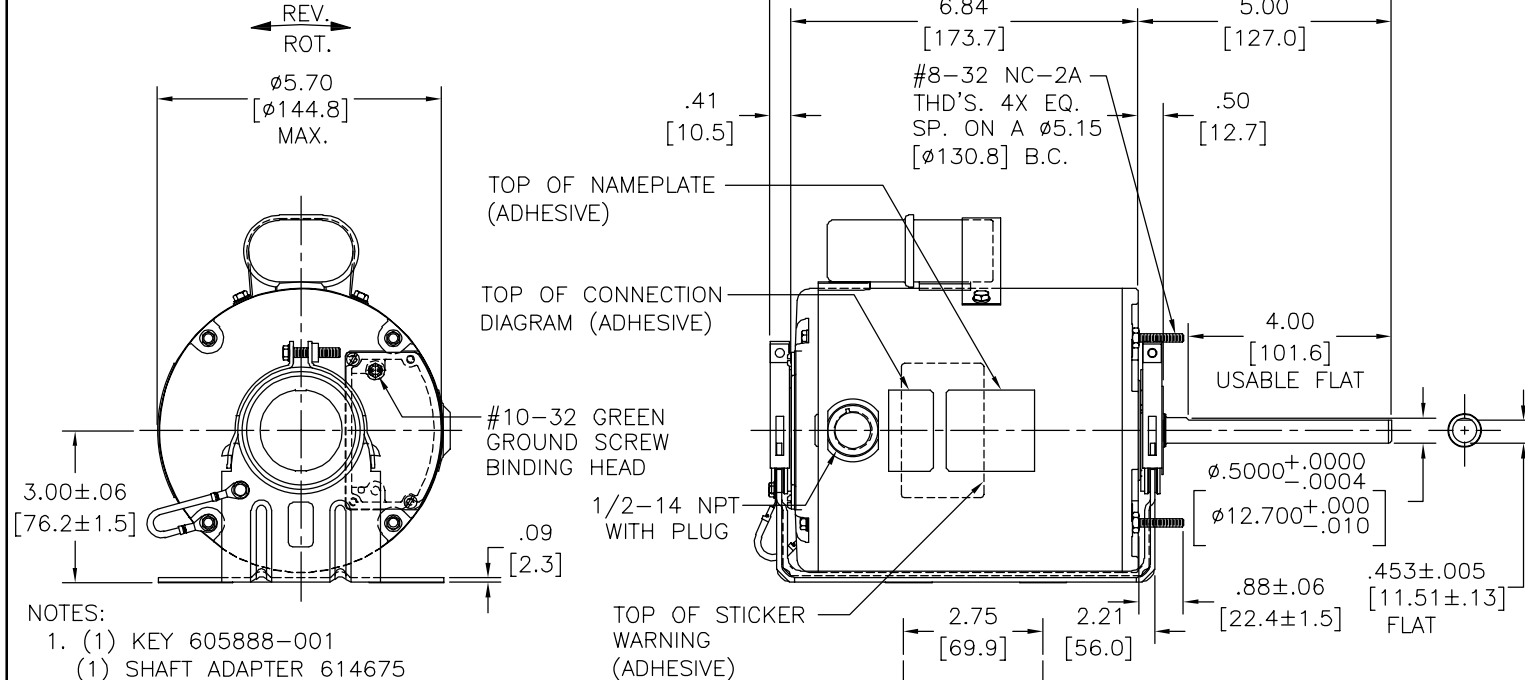
ELECTRICAL DATA:

OVERLOAD PROTECTOR: AUTOMATIC RESET (T.I. 7AM 036)

LEADS: NO. 18 GA., .03 [.8] THK. XLP 125°C INSUL.

GROUND LEAD: NO. 18 GA., .03 [.8] THK., GREEN/YELLOW INSUL.

REV	ECO	REV BY	DATE	APPD	DATE
F	0025527	J.AGUILERA	04-24-2012	R.RASCON	04-24-2012



- NOTES:
- (1) KEY 605888-001
 (1) SHAFT ADAPTER 614675
 (1) LEAD ASSEMBLY 049B18-NP-380-16
 (1) LEAD ASSEMBLY 049W18-NO-380-16
 TO BE PUT IN POLY BAG AND SHIPPED SEPARATE IN EACH CARTON.
 - MOTOR TO BE SHIPPED CONNECTED FOR CCWLE ROTATION AND 115 VOLTS.

GREEN/YELLOW (GROUND)	CONNECTED TO BASE	#10 EYELET
RED	CONNECTED TO CAPACITOR	.25 [6.4] FLAG
RED	CONNECTED TO CAPACITOR	.25 [6.4] FLAG
YELLOW	3.0/5.0 [76/127]	.25 [6.4] FLAG
BLACK	3.0/5.0 [76/127]	.25 [6.4] FLAG
ORANGE	3.0/5.0 [76/127]	.25 [6.4] FLAG
WHITE	3.0/5.0 [76/127]	.25 [6.4] FLAG
RED	3.0/5.0 [76/127]	.25 [6.4] FLAG
BROWN	3.0/5.0 [76/127]	.25 [6.4] FLAG
YELLOW/BLACK	3.0/5.0 [76/127]	.25 [6.4] FLAG
COLOR	LENGTH	TERMINAL OR STRIP LENGTH

MAIN FRAME - OLE	ENCLOSED
END FRAME - OLE	ENCLOSED
MAIN FRAME - LE	ENCLOSED
END FRAME - LE	ENCLOSED

CUSTOMER	DISTRIBUTION SERVICE
----------	----------------------

NAMEPLATE DATA:	EXTERNAL CONNECTION DIAGRAM
MODEL NO.: F48Z45A01 CUST. P/N: 767A HP: 1/4 ROT.: REVERSIBLE RPM: 1725 TYPE: UF FRAME: 48Y VOLTS: 115/230 PH: 1 AMPS: 3.0/1.6 HZ: 60 INS.: B AMB.: 60° C DUTY: AIR OVER CAP.: 7.5 MFD/370 V ENCL: ENCLOSED UL LOGO CSA LOGO THERMALLY PROTECTED	

PERFORMANCE CURVE NO.	TORQUE @ 1725 RPM (25°C)	APPROVED SAMPLE	UL COMPONENT FILE #	CCN #	CSA FILE #	CLASS #
C32814	13.1 OZ. FT.	0603126A	E46412	PRGY2	LR43341	4211-01

GEOMETRIC CHARACTERISTICS & SYMBOLS
 □ FLATNESS
 — STRAIGHTNESS
 < ANGULARITY
 ⊥ PERPENDICULARITY (SQUARENESS)
 // PARALLELISM
 ○ ROUNDNESS (CIRCULARITY)
 ⌀ CYLINDRICITY
 △ PROFILE OF ANY SURFACE
 ▽ PROFILE OF ANY LINE
 ↗ RUNOUT
 ⊕ TRUE POSITION
 ⊙ CONCENTRICITY
 = SYMMETRY
 ASME Y14.5M 1994

REGAL-BELOIT CORPORATION (RBC) PROVIDES TECHNICAL ASSISTANCE TO OUR CUSTOMERS IN SEVERAL AREAS. SINCE RBC DOES NOT RECEIVE ALL DATA CONCERNING THE USE AND APPLICATION OF THE MOTOR, THE SUITABILITY OF THE MOTOR FOR THE APPLICATION MUST BE DETERMINED BY THE CUSTOMER.

DIMENSIONS WITHOUT TOLERANCES ARE FOR REFERENCE ONLY.

DR BY: SRECKERS 06-12-2007
 APPD: TRILEY 06-12-2007
 THIRD ANGLE PROJECTION
 EDS DATE 11-11-2011
 FORMAT REV G
 CONFIDENTIAL: THIS DRAWING AND ITS INFORMATION ARE THE EXCLUSIVE AND CONFIDENTIAL PROPERTY OF REGAL-BELOIT CORPORATION AND ARE NOT TO BE DISCLOSED, DUPLICATED, DISTRIBUTED OR OTHERWISE USED WITHOUT THE WRITTEN CONSENT OF REGAL-BELOIT CORPORATION. -ALL RIGHTS RESERVED.

DESCRIPTION	
MODEL-RFHP-48FR OUTLINE	
SIZE C	DWG NO 767A
SCALE NONE	SHEET 1

4

3

2

1

4

3

2

1

REVISION:	ECO	REVISADO POR:	FECHA:	APROBADO POR:	FECHA:
F	0025527	J.AGUILERA	04-24-2012	R.RASCON	04-24-2012

INFORMACION GENERAL:

OSCILACION DE FLECHA: .001 [.03] T.I.R. PER INCH LENGTH OF EXTENSION

BALEROS: BALERO

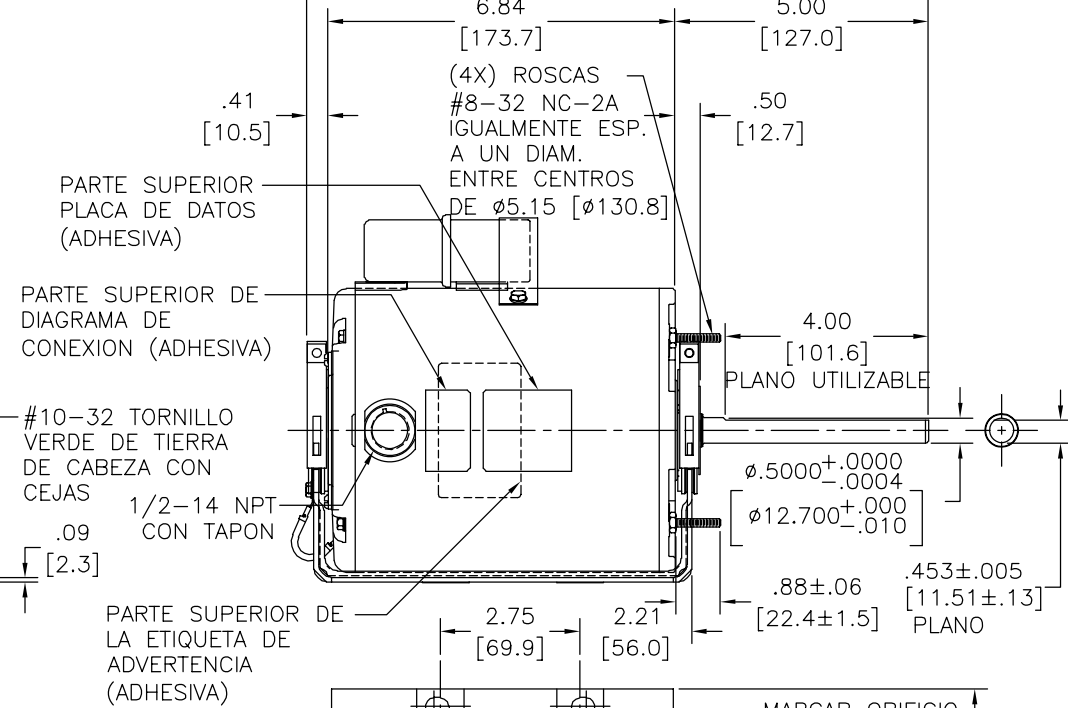
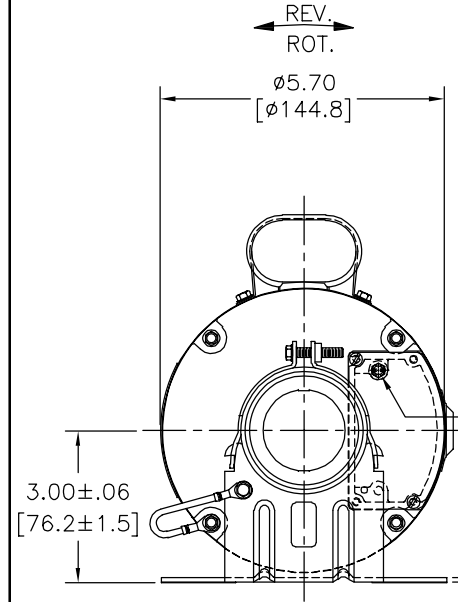
POSICION DEL MONTAJE: HORIZONTAL

INFORMACION ELECTRICA:

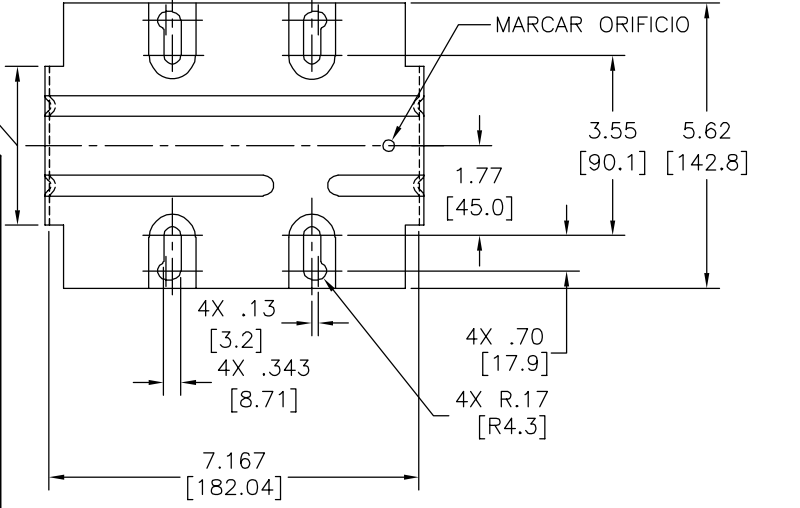
PROTECTOR DE SOBRECARGA: REINICIO AUTOMATIC (T.I. 7AM 036)

CABLES: NO. 18 GA., .03 [.8] THK. XLP 125°C AISLAM.

CABLE DE TIERRA: NO. 18 GA., .03 [.8] THK. (VERDE/AMARILLO) AISLAM.



COLOR	LONGITUD	TERMINAL O LONGITUD DE DESFORRE
VERDE/AMARILLO (TIERRA)	CONECTADO A LA BASE	OJAL #10
ROJO	CONECTADO AL CAPACITOR	.25 [6.4] BANDERA
ROJO	CONECTADO AL CAPACITOR	.25 [6.4] BANDERA
AMARILLO	3.0/5.0 [76/127]	.25 [6.4] BANDERA
NEGRO	3.0/5.0 [76/127]	.25 [6.4] BANDERA
NARANJA	3.0/5.0 [76/127]	.25 [6.4] BANDERA
BLANCO	3.0/5.0 [76/127]	.25 [6.4] BANDERA
ROJO	3.0/5.0 [76/127]	.25 [6.4] BANDERA
CAFE	3.0/5.0 [76/127]	.25 [6.4] BANDERA
AMARILLO/NEGRO	3.0/5.0 [76/127]	.25 [6.4] BANDERA



CARCASA - LOC	ENCERRADO
TAPA - LOC	ENCERRADO
CARCASA - LC	ENCERRADO
TAPA - LC	ENCERRADO

CLIENTE	DISTRIBUTION SERVICE
---------	----------------------

INFORMACION DE ETIQUETA:	DIAGRAMA DE CONEXION EXTRNA
MODEL NO.: F48Z45A01 CUST. P/N: 767A HP: 1/4 ROT.: REVERSIBLE RPM: 1725 TYPE: UF FRAME: 48Y VOLTS: 115/230 PH: 1 AMPS: 3.0/1.6 HZ: 60 INS.: B AMB.: 60° C DUTY: AIR OVER CAP.: 7.5 MFD/370 V ENCL: ENCLOSED UL LOGO CSA LOGO THERMALLY PROTECTED	

CURVAS DE FUNCIONAMIENTO	TORSION @ 1725 RPM (25°C)	MUESTRA APROBADA	COMPONENTE UL	CSA
C32814	13.1 OZ. FT.	0603126A	#ARCHIVO PRGY2 LR43341	4211-01

CARACTERISTICAS DE GEOMETRIA Y SIMBOLOS
 □ PLANICIDAD
 — RECTITUD
 < ANGULARIDAD
 ⊥ PERPENDICULARIDAD (A ESCUADRA)
 // PARALELISMO
 ○ REDONDEZ (CIRCULARIDAD)
 ∅ CILINDRICIDAD
 △ PERFIL DE CUALQUIER SUPERFICIE
 ∩ PERFIL DE CUALQUIER LINEA
 ↗ VARIACION
 ⊕ POSICION REAL
 ⊙ CONCENTRICIDAD
 = SIMETRIA

REGAL-BELOIT CORPORATION (RBC) PROVEE ASISTENCIA TECNICA A NUESTROS CLIENTES EN VARIAS AREAS. DESDE QUE RBC NO RECIBE TODOS LOS DATOS EN RELACION AL USO Y A LA APLICACION DEL MOTOR, LA APLICACION ADECUADA DEL MOTOR DEBE SER DETERMINADA POR EL CLIENTE.
 DIMENSIONES SIN TOLERANCIA SON DE REFERENCIA SOLAMENTE

DIBUJADO POR: SRECKERS 06-12-2007
 APROBADO POR: TRILEY 06-12-2007
 TERCER ANGULO DE PROYECCION
 FECHA EDS: 11-11-2011
 REV. FORMATO: G
 CONFIDENCIAL: ESTE DIBUJO Y SU INFORMACION SON PROPIEDAD DE USO EXCLUSIVO Y CONFIDENCIAL DE REGAL-BELOIT CORPORATION. Y NO DEBERAN SER REVELADOS, DUPLICADOS, DISTRIBUIDOS O USARSE DE OTRA MANERA SIN EL CONSENTIMIENTO ESCRITO DE REGAL-BELOIT CORPORATION. -TODOS LOS DERECHOS RESERVADOS.

REGAL-BELOIT CORPORATION
 DESCRIPCION: MODEL-RFHP-48FR OUTLINE
 TAMAÑO: C NUMERO DE DIBUJO: 767A
 ESCALA: NONE HOJA: 1

4

3

2

1

4

3

2

1

总技术要求:

轴跳动: .001[.03]/1[25.4]外伸轴

轴承: 球轴承

安装位置: 水平

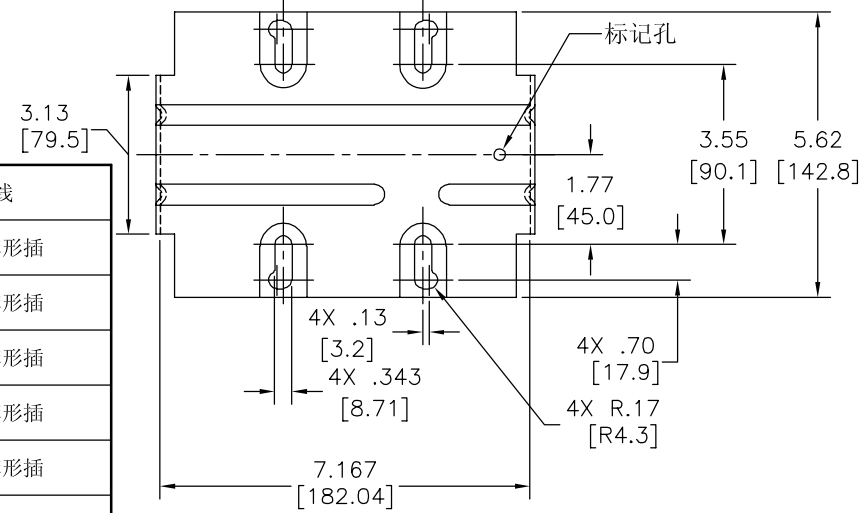
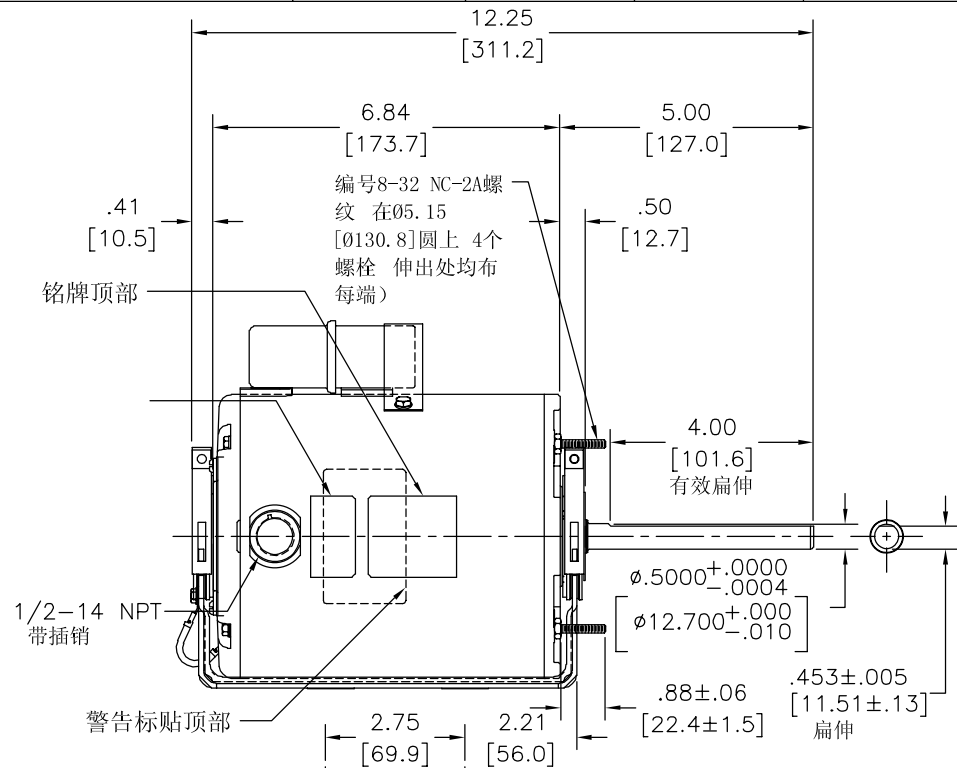
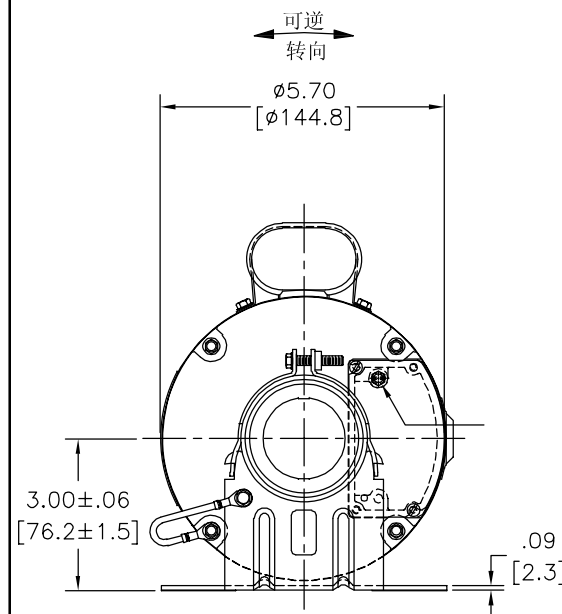
电气数据:

过载保护: 自动复位 (T.I. 7AM 036)

引线: 18# (美制标准), 厚.03[.8] XLP 125° C 绝缘

接地线: 18# (美制标准), 厚.03[0.8]绿色绝缘

版本	ECO	编制	日期	批准	日期
F	0025527	J.AGUILERA	04-24-2012	R.RASCON	04-24-2012



铭牌数据	外部数据线																																																	
MODEL NO.: F48Z45A01 CUST. P/N: 767A HP: 1/4 ROT.: REVERSIBLE RPM: 1725 TYPE: UF FRAME: 48Y VOLTS: 115/230 PH: 1 AMPS: 3.0/1.6 HZ: 60 INS.: B AMB.: 60° C DUTY: AIR OVER CAP.: 7.5 MFD/370 V ENCL: ENCLOSED UL LOGO CSA LOGO THERMALLY PROTECTED	<table border="0"> <tr> <td>YEL/BLK</td> <td>→</td> <td>L2</td> <td rowspan="2">LINE</td> </tr> <tr> <td>BROWN</td> <td>→</td> <td>B</td> </tr> <tr> <td>WHITE</td> <td>→</td> <td>A</td> <td rowspan="2">LINE</td> </tr> <tr> <td>ORANGE</td> <td>→</td> <td>A</td> </tr> <tr> <td>RED</td> <td>→</td> <td>L1</td> <td rowspan="2">HIGH VOLTS</td> </tr> <tr> <td>BLACK</td> <td>→</td> <td>L1</td> </tr> <tr> <td>YELLOW</td> <td>→</td> <td>L2</td> <td rowspan="2">LINE</td> </tr> <tr> <td>YEL/BLK</td> <td>→</td> <td>L2</td> </tr> <tr> <td>BROWN</td> <td>→</td> <td>B</td> <td rowspan="2">LINE</td> </tr> <tr> <td>ORANGE</td> <td>→</td> <td>A</td> </tr> <tr> <td>RED</td> <td>→</td> <td>L1</td> <td rowspan="2">LOW VOLTS</td> </tr> <tr> <td>BLACK</td> <td>→</td> <td>L1</td> </tr> <tr> <td>WHITE</td> <td>→</td> <td>L1</td> <td rowspan="2">LOW VOLTS</td> </tr> <tr> <td>YELLOW</td> <td>→</td> <td>L2</td> </tr> </table> <p>614131-345</p>	YEL/BLK	→	L2	LINE	BROWN	→	B	WHITE	→	A	LINE	ORANGE	→	A	RED	→	L1	HIGH VOLTS	BLACK	→	L1	YELLOW	→	L2	LINE	YEL/BLK	→	L2	BROWN	→	B	LINE	ORANGE	→	A	RED	→	L1	LOW VOLTS	BLACK	→	L1	WHITE	→	L1	LOW VOLTS	YELLOW	→	L2
YEL/BLK	→	L2	LINE																																															
BROWN	→	B																																																
WHITE	→	A	LINE																																															
ORANGE	→	A																																																
RED	→	L1	HIGH VOLTS																																															
BLACK	→	L1																																																
YELLOW	→	L2	LINE																																															
YEL/BLK	→	L2																																																
BROWN	→	B	LINE																																															
ORANGE	→	A																																																
RED	→	L1	LOW VOLTS																																															
BLACK	→	L1																																																
WHITE	→	L1	LOW VOLTS																																															
YELLOW	→	L2																																																

绿色 (接地线)		#10 带环线
红		.25 [6.4] 旗形插
红		.25 [6.4] 旗形插
蓝	3.0/5.0 [76/127]	.25 [6.4] 旗形插
黑	3.0/5.0 [76/127]	.25 [6.4] 旗形插
棕	3.0/5.0 [76/127]	.25 [6.4] 旗形插
白	3.0/5.0 [76/127]	.25 [6.4] 旗形插
红	3.0/5.0 [76/127]	.25 [6.4] 旗形插
棕	3.0/5.0 [76/127]	.25 [6.4] 旗形插
蓝/黑	3.0/5.0 [76/127]	.25 [6.4] 旗形插
颜色	长度	端子或剥线长度

无引线端机壳	密封
无引线端端盖	密封
有引线端机壳	密封
有引线端端盖	密封

用户	DISTRIBUTION SERVICE
----	----------------------

性能曲线编号	转矩在 @ 1725 RPM (25° C)	批准样品	UL部件	CSA
C32814	13.1 OZ. FT.	O603126A	文件号 指南	文件号 指南
			E46412 PRGY2	LR43341 4211-01

- 形位公差
- 平面度
- 直线度
- ∠ 倾斜度
- ⊥ 垂直度
- // 平行度
- 圆度
- ⊘ 圆柱度
- ⊙ 面轮廓度
- ⊖ 线轮廓度
- ↗ 圆跳动
- ⊕ 位置度
- ⊗ 同轴度
- ≡ 对称度

ASME Y14.5M 1994

REGAL-BELOIT CORPORATION (RBC) 在个别领域为客户提供技术支持。鉴于RBC未收到任何涉及电机使用和应用环境的数据, 电机的适用性由客户自己决定。

未注公差尺寸仅供参考。

绘图:	SRECKERS	06-12-2007
批准:	TRILEY	06-12-2007
第三角投影		图纸格式发布日期 11-11-2011 图纸格式版本 G
机密: 本图纸及相关信息所有权归REGAL-BELOIT CORPORATION。未经REGAL-BELOIT CORPORATION书面授权, 不得泄露、复制、传播或作其他用途。—版权所有		

名称		REGAL-BELOIT CORPORATION	
MODEL-RFHP-48FR		OUTLINE	
图幅	C	图号	767A
比例	NONE	页号	1

4

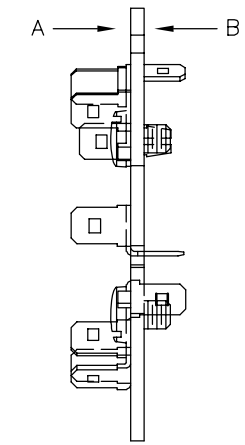
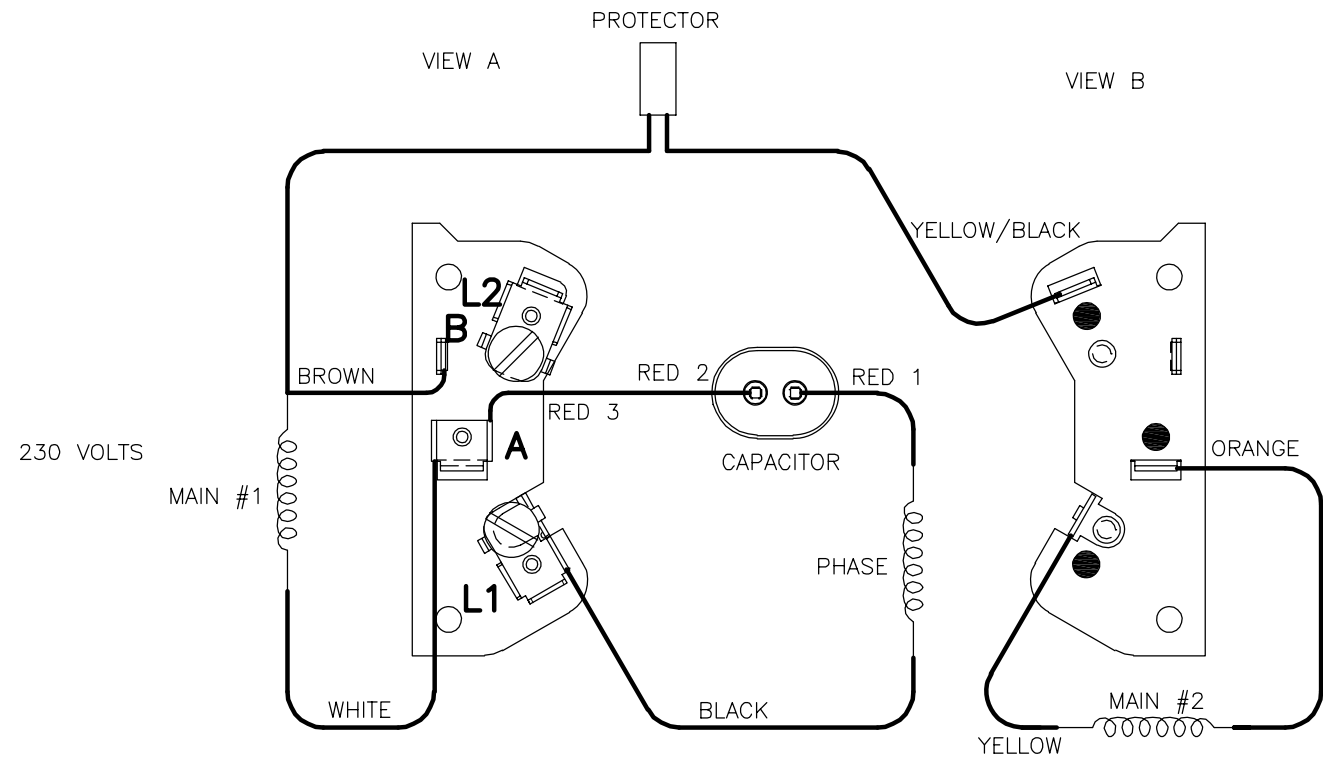
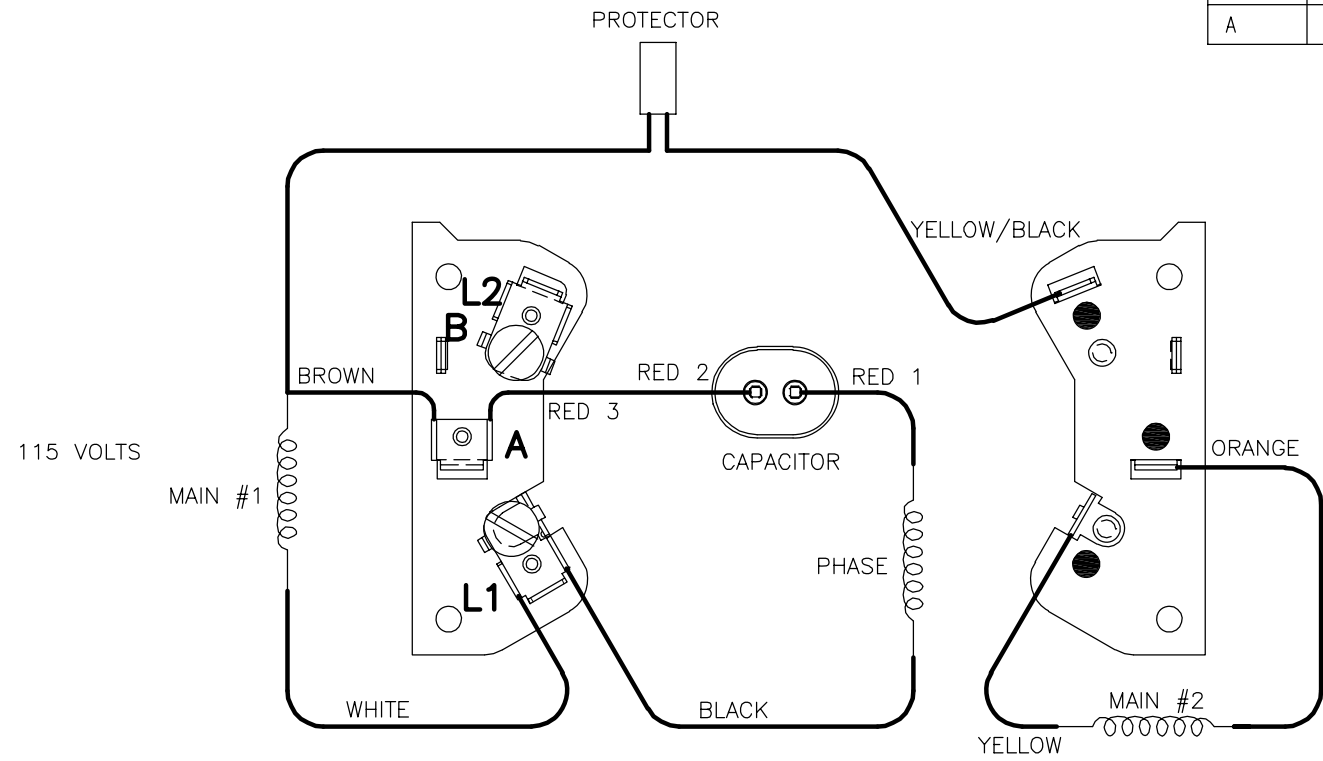
3

2

1

4 3 2 1

REV	ECO	REV BY	DATE	APPD	DATE
A	ECO-0019123	jrupert	02-24-2011	jdoseck	02-24-2011



- NOTES:
1. WHEN CONNECTING ACCORDING TO THE DRAWING, THE ROTATION DIRECTION OF THE MOTOR IS CCWLE.
 2. WHEN THE BLACK LEAD IS CONNECTED TO A AND THE RED LEAD IS CONNECTED TO L1, THE ROTATION DIRECTION IS CWLE.

GEOMETRIC CHARACTERISTICS & SYMBOLS

- ▭ FLATNESS
- STRAIGHTNESS
- ∠ ANGULARITY
- ⊥ PERPENDICULARITY (SQUARENESS)
- // PARALLELISM
- ROUNDNESS (CIRCULARITY)
- ∅ CYLINDRICITY
- △ PROFILE OF ANY SURFACE
- ∩ PROFILE OF ANY LINE
- ↗ RUNOUT
- ⊕ TRUE POSITION
- ◎ CONCENTRICITY
- ≡ SYMMETRY

UNLESS OTHERWISE SPECIFIED DIM. TOLERANCES ARE AS FOLLOWS:

INCH	X	XX	XXX	XXXX
	±.1	±.02	±.005	±.0005
mm	±0.5	±0.13	±0.013	
ANG. ±.50 DEG				
REMOVE BURRS & BREAK SHARP EDGES:				
	INCH	.003-.015	mm	0.1-0.4
CORNER FILLETS TO:				
	INCH	.020	mm	0.5
MACHINE SURFACES:				
	INCH	125	mm	3.2
METRIC DIMS. SHOWN IN [BRACKETS]				

DR BY:	jrupert	02-24-2011
APPD:	jdoseck	02-24-2011
THIRD ANGLE PROJECTION		EDS DATE 02-22-2008 FORMAT REV F
CONFIDENTIAL: THIS DRAWING AND ITS INFORMATION ARE THE EXCLUSIVE AND CONFIDENTIAL PROPERTY OF A.O. SMITH CORP. AND ARE NOT TO BE DISCLOSED, DUPLICATED, DISTRIBUTED OR OTHERWISE USED WITHOUT THE WRITTEN CONSENT OF A.O. SMITH CORP. -ALL RIGHTS RESERVED. ASME Y14.5M 1994		

ACSmith Innovation has a name.		ELECTRICAL PRODUCTS COMPANY A DIVISION OF A. O. SMITH CORPORATION	
DESCRIPTION CONN DIAGRAM-EXTERNAL			
SIZE C	DWG NO D0000313-002		
SCALE NONE		SHEET 1	

4 3 2 1

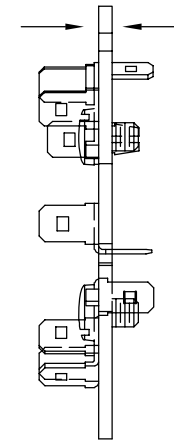
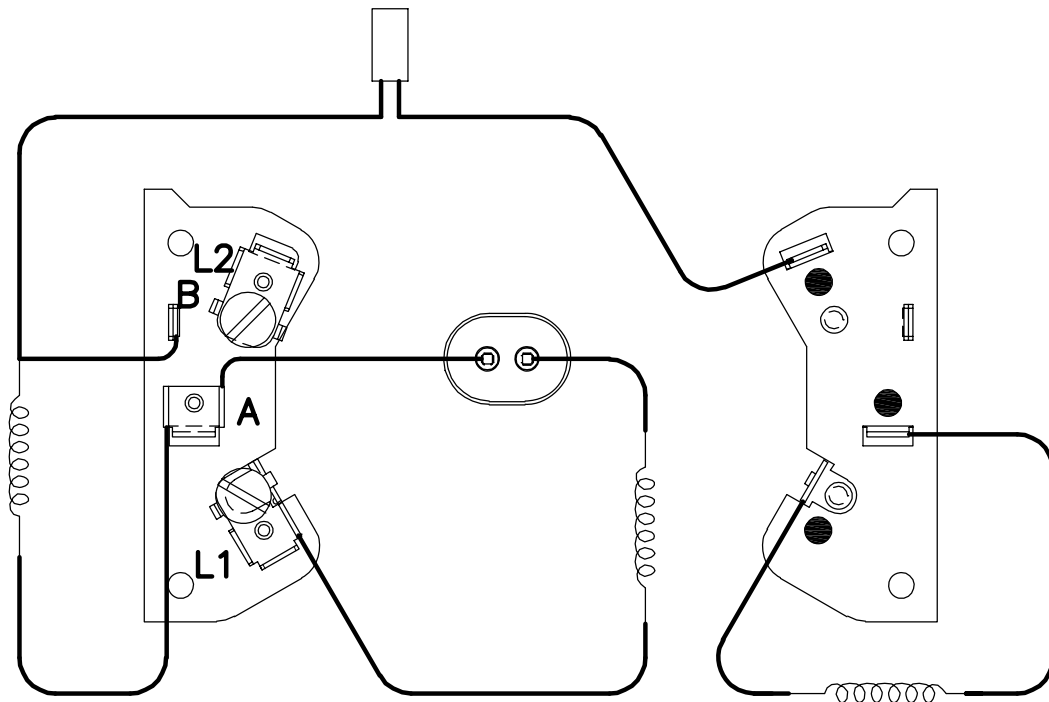
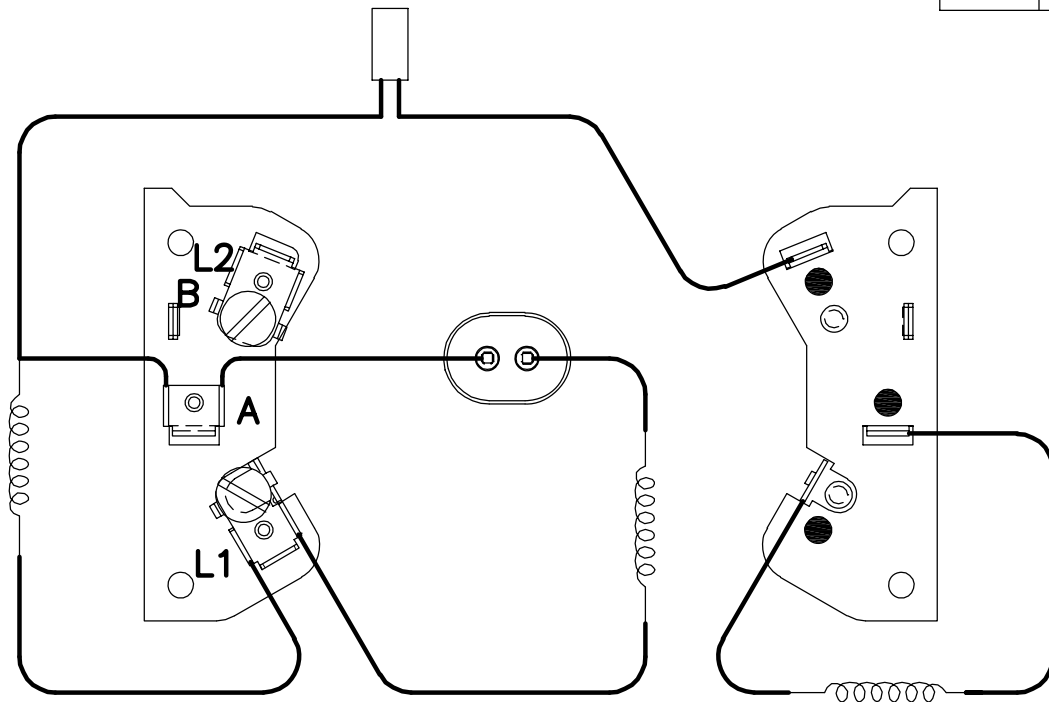
4

3

2

1

REVISION:	ECO	REVISADO POR:	FECHA:	APROBADO POR:	FECHA:
A	ECO-0019123	jrupert	02-24-2011	jdoseck	02-24-2011



CARACTERISTICAS DE GEOMETRIA Y SIMBOLOS

- ▢ PLANICIDAD
- RECTITUD
- ∠ ANGULARIDAD
- ⊥ PERPENDICULARIDAD (A ESCUADRA)
- // PARALELISMO
- REDONDEZ (CIRCULARIDAD)
- ⊘ CILINDRICIDAD
- △ PERFIL DE CUALQUIER SUPERFICIE
- ∧ PERFIL DE CUALQUIER LINEA
- ∩ VARIACION
- ⊕ POSICION REAL
- ◎ CONCENTRICIDAD
- = SIMETRIA

A MENOS QUE SE ESPECIFIQUE DE OTRA MANERA, LAS TOLERANCIAS DE LAS DIMS; SON LAS SIGUIENTES:

PULG ±.1 ±.02 ±.005 ±.0005
 mm ±0.5 ±0.13 ±0.013

ANG. ± 50 GRADOS

ELIMINAR REBABAS Y ORILLAS FILOSAS DEL BORDE.

PULG .003-.015 mm 0.1-0.4

FILETEAR ESQUINA: PULG .020 mm 0.5

MAQUINAR SUPERFICIES

PULG 125 mm .32

DIMS METRICAS MOSTRADAS [PARENTESIS]

DIBUJADO POR:	jrupert	02-24-2011
APROBADO POR:	jdoseck	02-24-2011
TERCER ANGULO DE PROYECCION	⊕	FECHA EDS: 02-22-2008 REV. FORMATO: F
CONFIDENCIAL: ESTE DIBUJO Y SU INFORMACION SON PROPIEDAD DE USO EXCLUSIVO Y CONFIDENCIAL DE A.O.SMITH CORP. Y NO DEBERAN SER REVELADOS, DUPLICADOS, DISTRIBUIDOS O USARSE DE OTRA MANERA SIN EL CONSENTIMIENTO ESCRITO DE A.O. SMITH CORP. -TODOS LOS DERECHOS RESERVADOS.ASME Y14.5M 1994		

ACSmith Innovation has a name.		ELECTRICAL PRODUCTS COMPANY A DIVISION OF A. O. SMITH CORPORATION	
DESCRIPCION: CONN DIAGRAM-EXTERNAL			
TAMAÑO: C	NUMERO DE DIBUJO: D0000313-002		
ESCALA: NONE			HOJA: 1

4

3

2

1

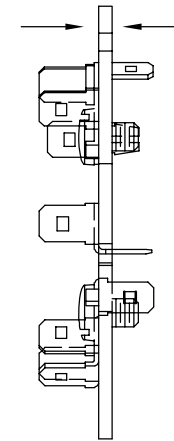
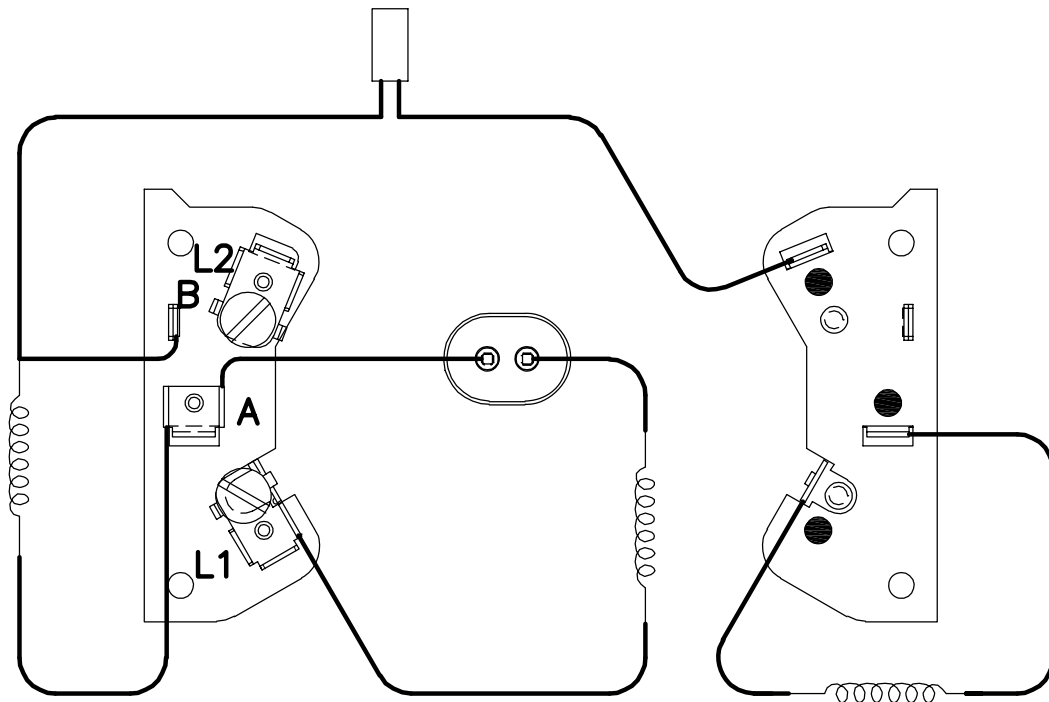
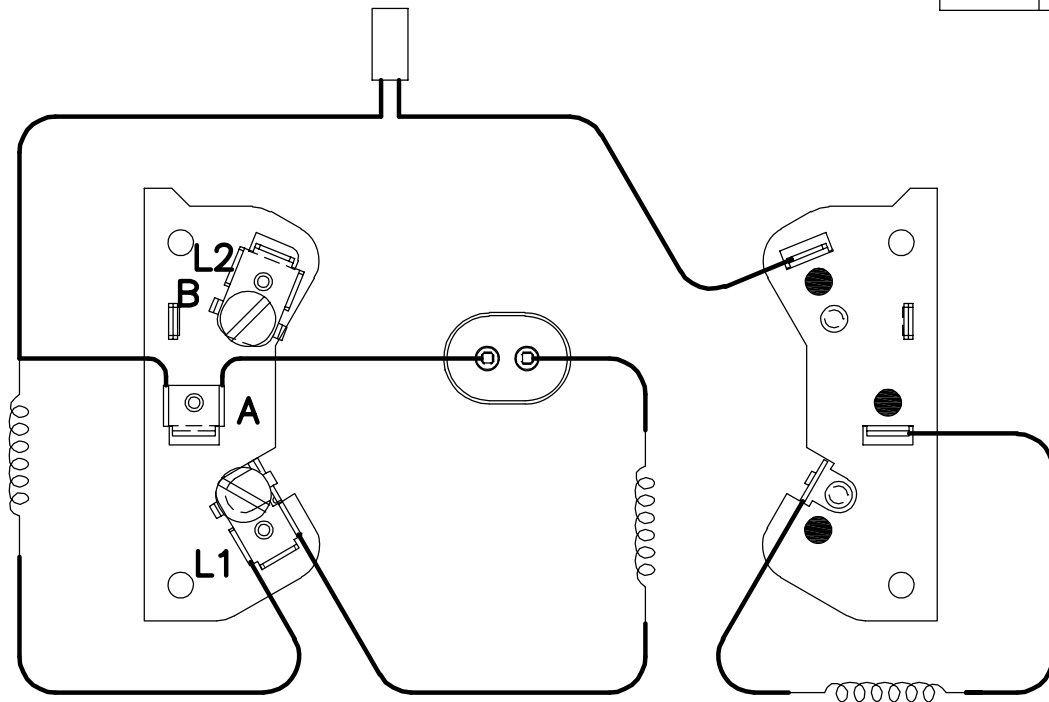
4

3

2

1

版本	ECO	编制	日期	批准	日期
A	ECO-0019123	jrupert	02-24-2011	jdoseck	02-24-2011



形位公差	除另有注明
□ 平面度	尺寸公差如下:
— 直线度	英寸 X XX XXX XXXX
∠ 倾斜度	毫米 ±.1 ±.02 ±.005 ±.0005
⊥ 垂直度	毫米 ±0.5 ±0.13 ±0.013
// 平行度	角度 ±.50 度
○ 圆度	清理毛刺和尖棱
⊘ 圆柱度	英寸 .003-.015 毫米 0.1-0.4
△ 面轮廓度	内圆角
∇ 线轮廓度	英寸 .020 毫米 0.5
∩ 圆跳动	表面粗糙度
⊕ 位置度	英制 125 米制 3.2
◎ 同轴度	米制尺寸显示在 []
≡ 对称度	

除另有注明	尺寸公差如下:
英寸 X XX XXX XXXX	
毫米 ±.1 ±.02 ±.005 ±.0005	
毫米 ±0.5 ±0.13 ±0.013	
角度 ±.50 度	
清理毛刺和尖棱	
英寸 .003-.015 毫米 0.1-0.4	
内圆角	
英寸 .020 毫米 0.5	
表面粗糙度	
英制 125 米制 3.2	
米制尺寸显示在 []	

绘图:	jrupert	02-24-2011
批准:	jdoseck	02-24-2011
第三角投影		图纸格式发布日期 02-22-2008 图纸格式版本 F
机密: 本图纸及相关信息所有权归A. O. SMITH公司所有。未经A. O. SMITH公司书面授权, 不得泄露、复制、传播或作其他用途。—版权所有		
ASME Y14.5M 1994		

ACSmith Innovation has a name.		ELECTRICAL PRODUCTS COMPANY A DIVISION OF A. O. SMITH CORPORATION	
名称 CONN DIAGRAM-EXTERNAL			
图幅 C	图号 D0000313-002		比例 NONE
			页号 1

4

3

2

1