

PRODUCT INFORMATION PACKET



Model No: 748

Catalog No: 748

OEM Replacement Motor, 1/6, 1/8, 1/10, 1/12 HP, 1 Ph, 60 Hz, 120 V, 1550 RPM, 4 Speed, 42 Frame,
OAO



Regal and Century are trademarks of Regal Rexnord Corporation or one of its affiliated companies.

©2023 Regal Rexnord Corporation, All Rights Reserved. MC017097E





Nameplate Specifications

Phase	1	Output HP	1/6, 1/8, 1/10, 1/12 Hp
Output KW	0.13 kW	Voltage	120 V
Speed	1550 rpm	Service Factor	1
Frame	42	Enclosure	Open Air Over
Thermal Protection	Automatic	Ambient Temperature	40 °C
Frequency	60 Hz	Current	3.7 A
Duty	Continuous Air Over	Insulation Class	A
UL	Recognized	CSA	Y
CE	N	Number of Speeds	4

Technical Specifications

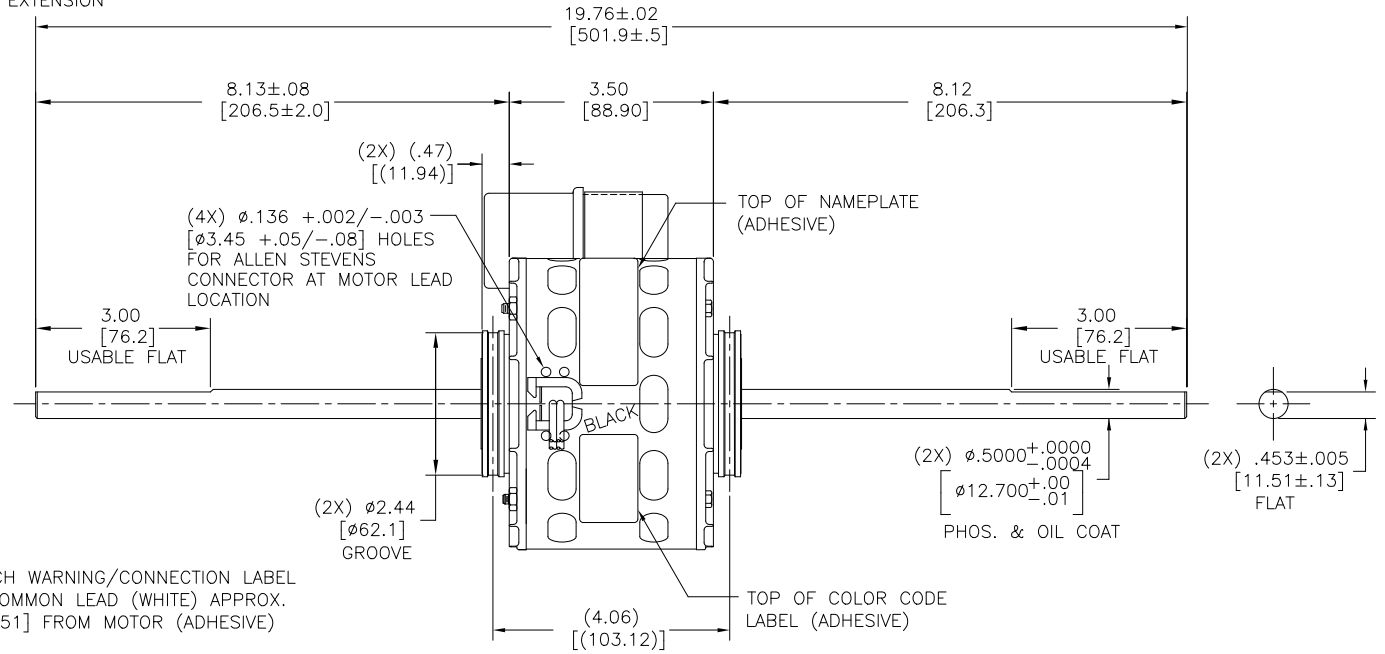
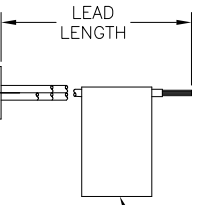
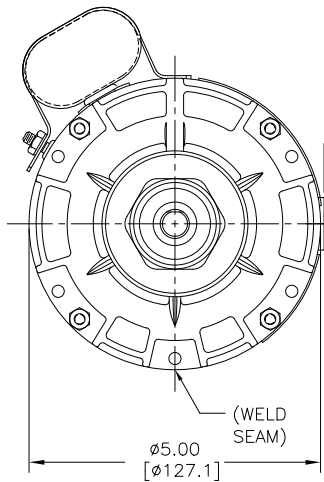
Electrical Type	Permanent Split Capacitor	Starting Method	Across The Line
Poles	4	Rotation	Counterclockwise Lead End
Mounting	Resilient Rings	Motor Orientation	Horizontal
Drive End Bearing	Sleeve	Opp Drive End Bearing	Sleeve
Frame Material	Rolled Steel	Shaft Type	Flat
Overall Length	20.95 in	Frame Length	3.00 in
Shaft Diameter	0.500 in	Shaft Extension	8 1/8 in
Outline Drawing	748-S01		

This is an uncontrolled document once printed or downloaded and is subject to change without notice. Date Created:05/09/2023

GENERAL INFORMATION:

SHAFT RUNOUT: .001 [.025] T.I.R. PER INCH LENGTH OF EXTENSION
 END PLAY: .005 TO .040 [.13 TO 1.02]
 BEARINGS: SLEEVE
 MOUNTING: HORIZONTAL
 POSITION:

CCW
 ROT.



ATTACH WARNING/CONNECTION LABEL TO COMMON LEAD (WHITE) APPROX. 2.0 [51] FROM MOTOR (ADHESIVE)

ELECTRICAL DATA:

OVERLOAD PROTECTOR: AUTOMATIC RESET (SENSATA 7AM 031)
 LEADS: NO. 18 GA., .03 [.8] THK. EPDM 125°C INSUL.

MAIN FRAME - OLE	OPEN
END FRAME - OLE	OPEN
MAIN FRAME - LE	OPEN
END FRAME - LE	OPEN
ENCLOSURE	

REGAL-BELOIT CORPORATION (RBC) PROVIDES TECHNICAL ASSISTANCE TO OUR CUSTOMERS IN SEVERAL AREAS. SINCE RBC DOES NOT RECEIVE ALL DATA CONCERNING THE USE AND APPLICATION OF THE MOTOR, THE SUITABILITY OF THE MOTOR FOR THE APPLICATION MUST BE DETERMINED BY THE CUSTOMER.
 DIMENSIONS WITHOUT TOLERANCES ARE FOR REFERENCE ONLY.

NAMEPLATE DATA:

Century THERMALLY PROTECTED

TIPP CITY, OHIO

SER. DATE & PO# PLT LTR MOD DE2E160N' STOCK NO. 748
 VOLTS 120 HZ 60 AMPS 3.7
 RPM 1550 SP 4 PH 1 CAP 5 MFD/370 VAC
 INS CL B AMB 40° C HP 1/6, 1/8, 1/10, 1/12 CONT AO
 BRG SLV

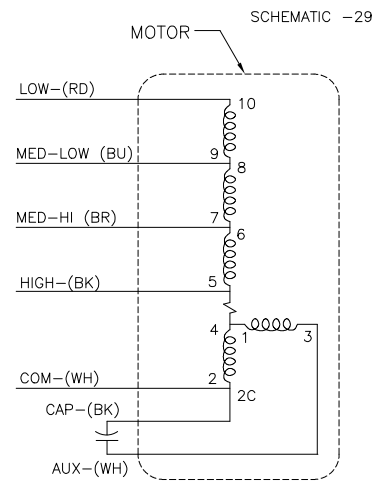
← ROTATION →

ASSEMBLED IN MEXICO

63T7452-2
 COLOR CODE LABEL
 BK-HI 3.7A 1/6HP
 BR-MED HI 1.9A 1/8HP
 BU-MED LO 1.7A 1/10HP
 RED-LO 1.4A 1/12HP
 WH-COM
 63T7443-275
 CONN LABEL

PERFORMANCE CURVE NO.	TORQUE @1550 RPM (25°C)	APPROVED SAMPLE	UL COMPONENT				CSA	
			FILE#	CCN#	FILE#	CLASS#		
-	82 OZ. IN.	S-5193E	-	-	-	-	-	

COLOR	CONNECTED TO CAPACITOR	TERMINAL OR STRIP LENGTH
WHITE	CONNECTED TO CAPACITOR	.25 [6.4] FLAG
BLACK	CONNECTED TO CAPACITOR	.25 [6.4] FLAG
RED	29.0/31.0 [737/787]	.50 [12.7] STRIP
BLUE	29.0/31.0 [737/787]	.50 [12.7] STRIP
BROWN	29.0/31.0 [737/787]	.50 [12.7] STRIP
BLACK	29.0/31.0 [737/787]	.50 [12.7] STRIP
WHITE	29.0/31.0 [737/787]	.50 [12.7] STRIP
COLOR	LENGTH	TERMINAL OR STRIP LENGTH



DRAWING REVISION	REVISION BY	DATE
G	J. RUPERT	05-03-2023
ECO	APPROVED BY	DATE
ECR-0225481	J. RUPERT	05-03-2023
ECO DESCRIPTION		
CORRECTED DRAWING NUMBER IN TITLE BLOCK		
<small>COPYRIGHT REGAL-BELOIT AMERICA, INC. ALL RIGHTS RESERVED. PROPRIETARY AND CONFIDENTIAL INFORMATION - THIS DOCUMENT IS THE PROPERTY OF REGAL-BELOIT AMERICA, INC. (OWNER) AND COMPANY OWNER'S PROPRIETARY INFORMATION. ANY PERSON, CORPORATION OR OTHER ENTITY, DUPLICATED, AND/OR USED, BY RECEIVING IT, TO AGREE THAT IT, AND/OR ANY PART OF IT, SHALL NOT BE DISCLOSED TO ANY PERSON, CORPORATION OR OTHER ENTITY, DUPLICATED, AND/OR USED, EXCEPT AS EXPRESSLY APPROVED IN WRITING IN ADVANCE BY OWNER. THIS DOCUMENT SHALL BE RETURNED TO OWNER UPON REQUEST. IT MAY BE SUBJECT TO CERTAIN RESTRICTIONS UNDER APPLICABLE EXPORT CONTROL LAWS AND REGULATIONS.</small>		

DRAWN BY:	G. ALVEREZ	DATE:	06-18-2011
APPROVED BY:	R. GONZALEZ	DATE:	06-18-2011
REFERENCE		MATERIAL	
THIRD ANGLE PROJECTION		SIZE	DWG NO
		C	748
			SHEET 1