

PRODUCT INFORMATION PACKET



Model No: 670

Catalog No: 670

Fan Coil & Air Conditioner Motor, 1/6, 1/10, 1/20 HP, 1 Ph, 60 Hz, 115 V, 1075 RPM, 3 Speed,
42 Frame, OPEN



Regal and Century are trademarks of Regal Rexnord Corporation or one of its affiliated companies.
©2022 Regal Rexnord Corporation, All Rights Reserved. MC017097E





Nameplate Specifications

Output HP	1/6, 1/10, 1/20 Hp	Output KW	0.13 kW
Frequency	60 Hz	Voltage	115 V
Current	2.7 A	Speed	1075 rpm
Service Factor	1	Phase	1
Duty	Continuous Air Over	Insulation Class	A
Frame	42Y	Enclosure	Open Enclosed
Thermal Protection	Automatic	Ambient Temperature	40 °C
UL	Recognized	CSA	Y
CE	N	Number of Speeds	3

Technical Specifications

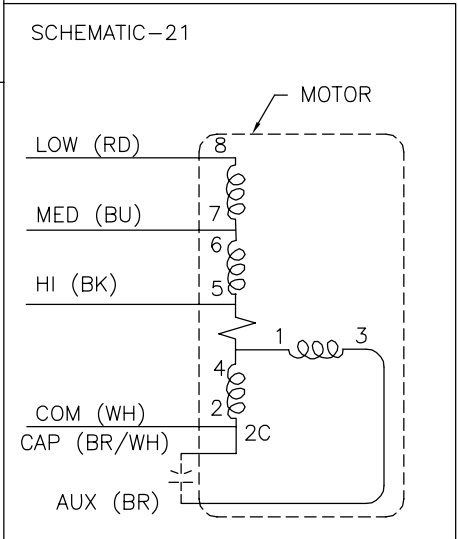
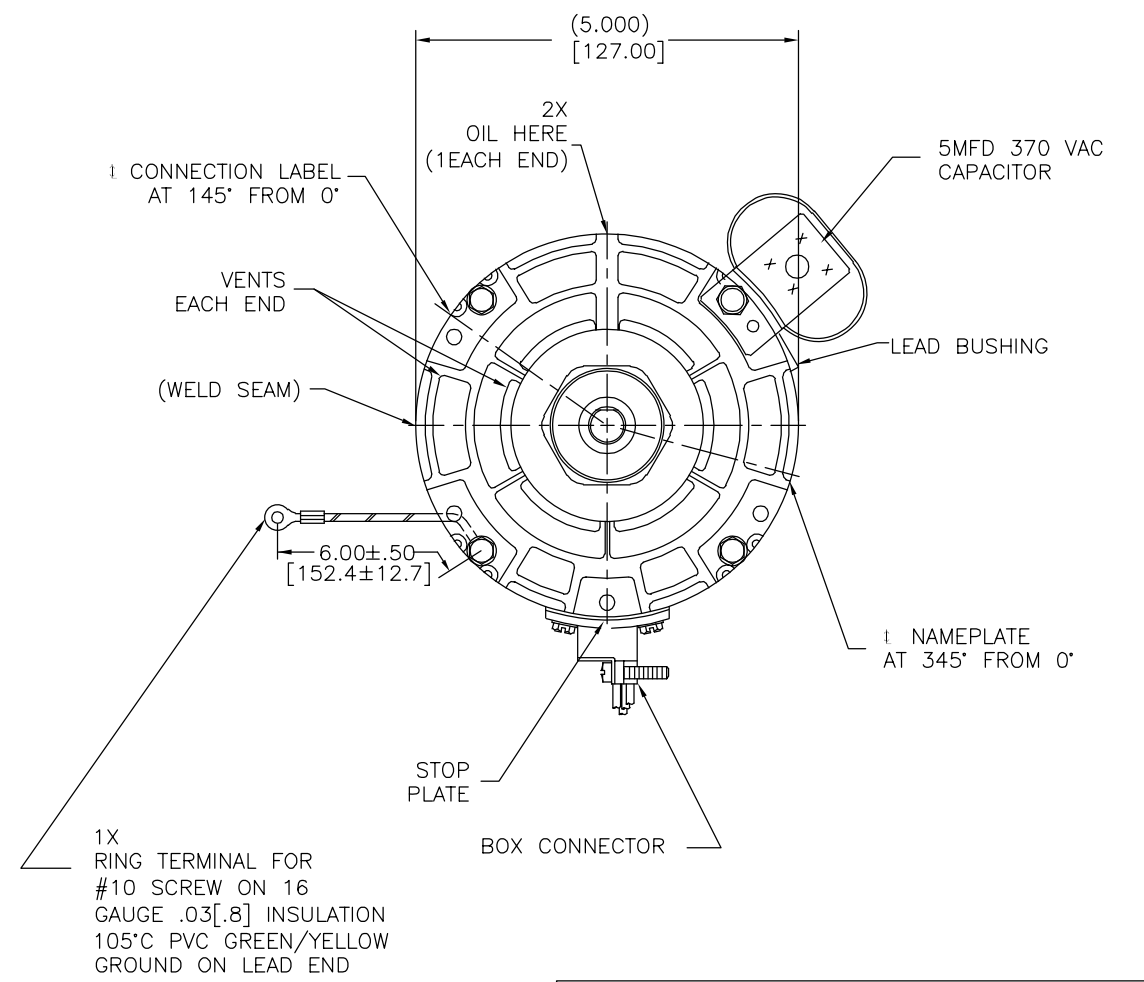
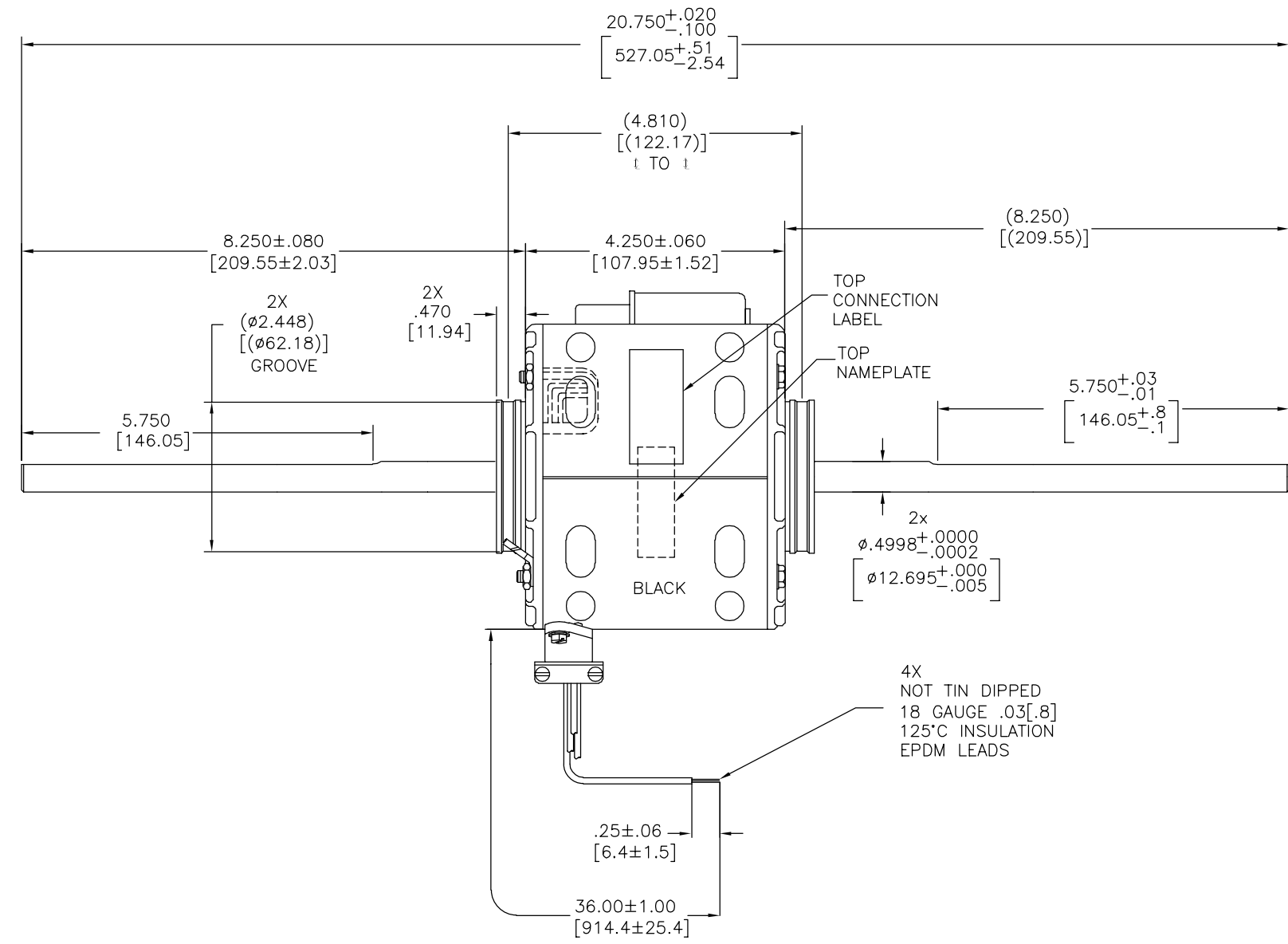
Electrical Type	Permanent Split Capacitor	Starting Method	Across The Line
Poles	6	Rotation	Clockwise Lead End
Mounting	Resilient Rings	Motor Orientation	Horizontal
Drive End Bearing	Sleeve	Opp Drive End Bearing	Sleeve
Frame Material	Steel	Shaft Type	Flat
Overall Length	20.75 in	Frame Length	3.67 in
Shaft Diameter	0.500 in	Shaft Extension	8.3 X .5 X 8.3 in
Outline Drawing	DE3G7111-S01		

This is an uncontrolled document once printed or downloaded and is subject to change without notice. Date Created:11/29/2022

REV	ECO	REV BY	DATE	APPD	DATE
D	0029000	I.ORTIZ	10-17-2012	M.AVILA	10-17-2012

CUSTOMER IS SOLELY RESPONSIBLE FOR MOTOR PERFORMANCE AND SUITABILITY IN APPLICATIONS FOR CUSTOMER'S USES

END PLAY .005[.13] MINIMUM - .040[1.02] MAXIMUM
 MAXIMUM SHAFT RUNOUT .001[.03] PER INCH
 MAXIMUM SHAFT RUNOUT NOT TO EXCEED .010[.25]



CONNECTION LABEL 63T7432-14

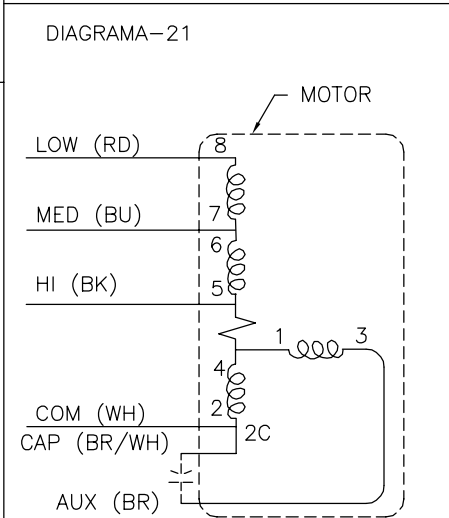
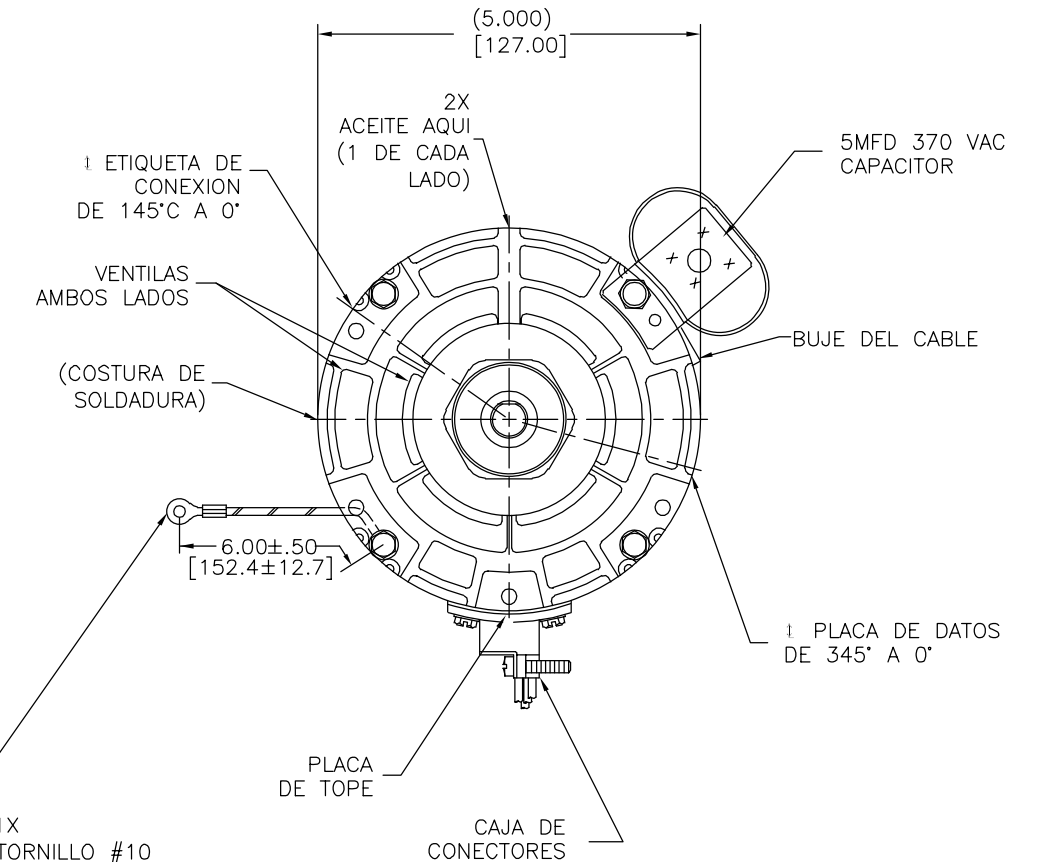
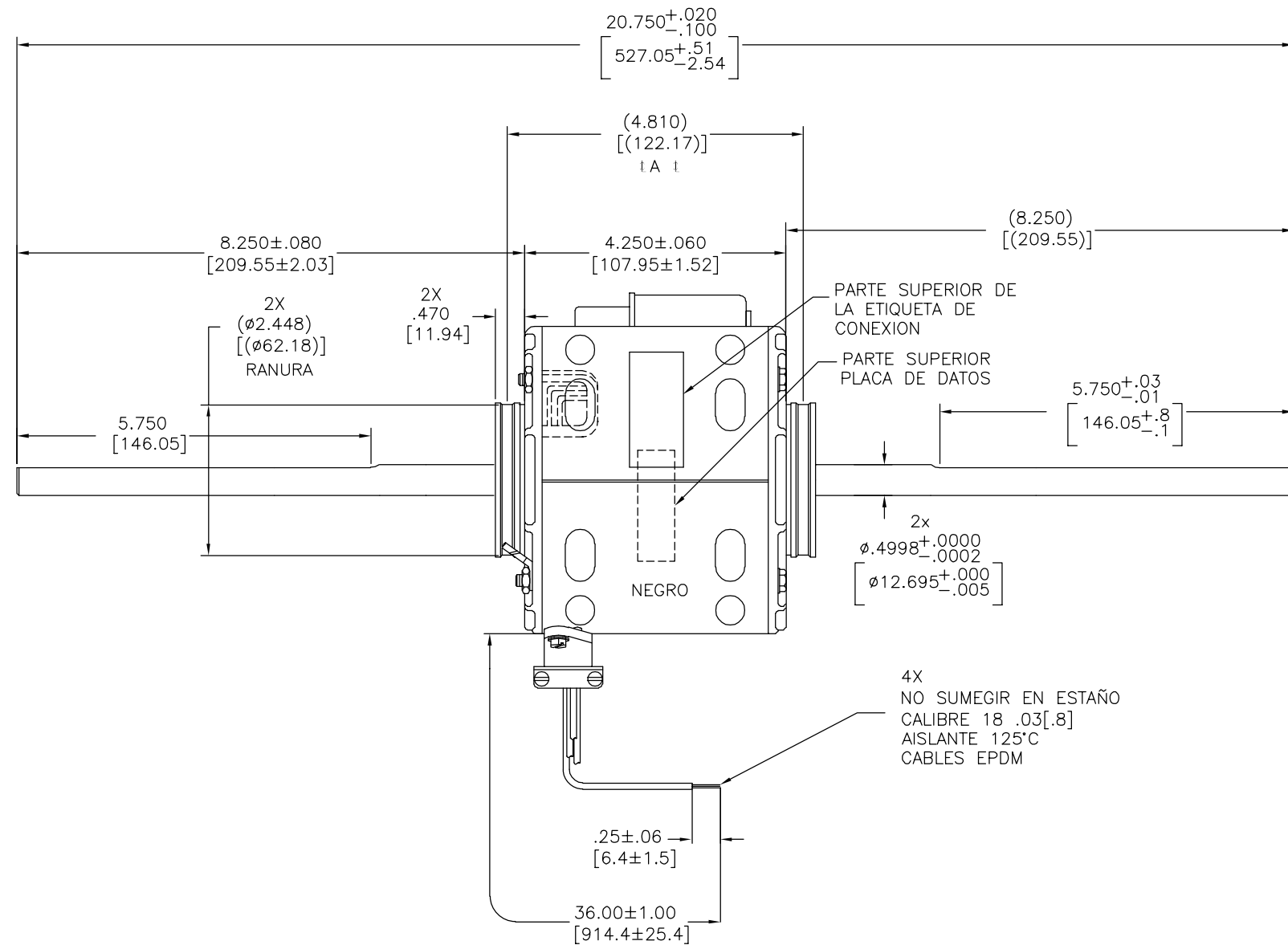
ELECTRICALLY PER SAMPLE S-794E CURVE #32278

GEOMETRIC CHARACTERISTICS & SYMBOLS ▽ FLATNESS - STRAIGHTNESS ∟ ANGULARITY ⊥ PERPENDICULARITY (SQUARENESS) // PARALLELISM ○ ROUNDNESS (CIRCULARITY) ∅ CYLINDRICITY ≡ PROFILE OF ANY SURFACE ∩ PROFILE OF ANY LINE ⌀ RUNOUT ⊕ TRUE POSITION ⊙ CONCENTRICITY = SYMMETRY	UNLESS OTHERWISE SPECIFIED DIM. TOLERANCES ARE AS FOLLOWS: INCH X XX XXX XXXX ±.1 ±.02 ±.005 ±.0005 mm ±0.5 ±0.13 ±0.013 ANG. ±.50 DEG REMOVE BURRS & BREAK SHARP EDGES: INCH .003-.015 mm 0.1-0.4 CORNER FILLETS TO: INCH .020 mm 0.5 MACHINE SURFACES: INCH 125 mm 3.2 METRIC DIMS. SHOWN IN [BRACKETS]	DR BY: TLB	02-09-2001	REGAL BELOIT CORPORATION TIPP CITY, OH THERMALLY PROTECTED
		APPD: DRB	EDS DATE 11-11-2011 FORMAT REV H	
CONFIDENTIAL: THIS DRAWING AND ITS INFORMATION ARE THE EXCLUSIVE AND CONFIDENTIAL PROPERTY OF REGAL-BELOIT CORPORATION AND ARE NOT TO BE DISCLOSED, DUPLICATED, DISTRIBUTED OR OTHERWISE USED WITHOUT THE WRITTEN CONSENT OF REGAL-BELOIT CORPORATION. -ALL RIGHTS RESERVED.			SIZE D	DWG NO DE3G7111
			SCALE NONE	SHEET 1

REVISION: ECO	REVISADO POR: I.ORTIZ	FECHA: 10-17-2012	APROBADO POR: M.AVILA	FECHA: 10-17-2012
D	0029000			

EL CLIENTE ES SOLO RESPONSABLE DEL RENDIMIENTO DEL MOTOR Y APLICACIONES CONVENIENTES PARA LOS USOS DEL CLIENTE

JUEGO AXIAL .005[.13]MINIMO - .040[1.02]MAXIMO
 MAXIMA OSCILACION DE FLECHA .001[.03] POR PULGADA
 MAXIMA OSCILACION NO DEBE EXCEDER .010[.25]




ETIQUETA DE CONEXION
63T7432-14

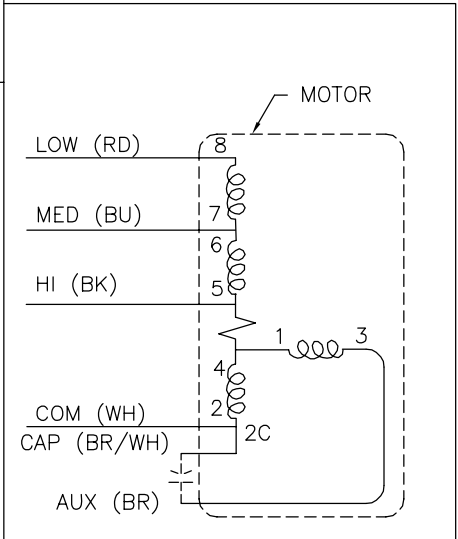
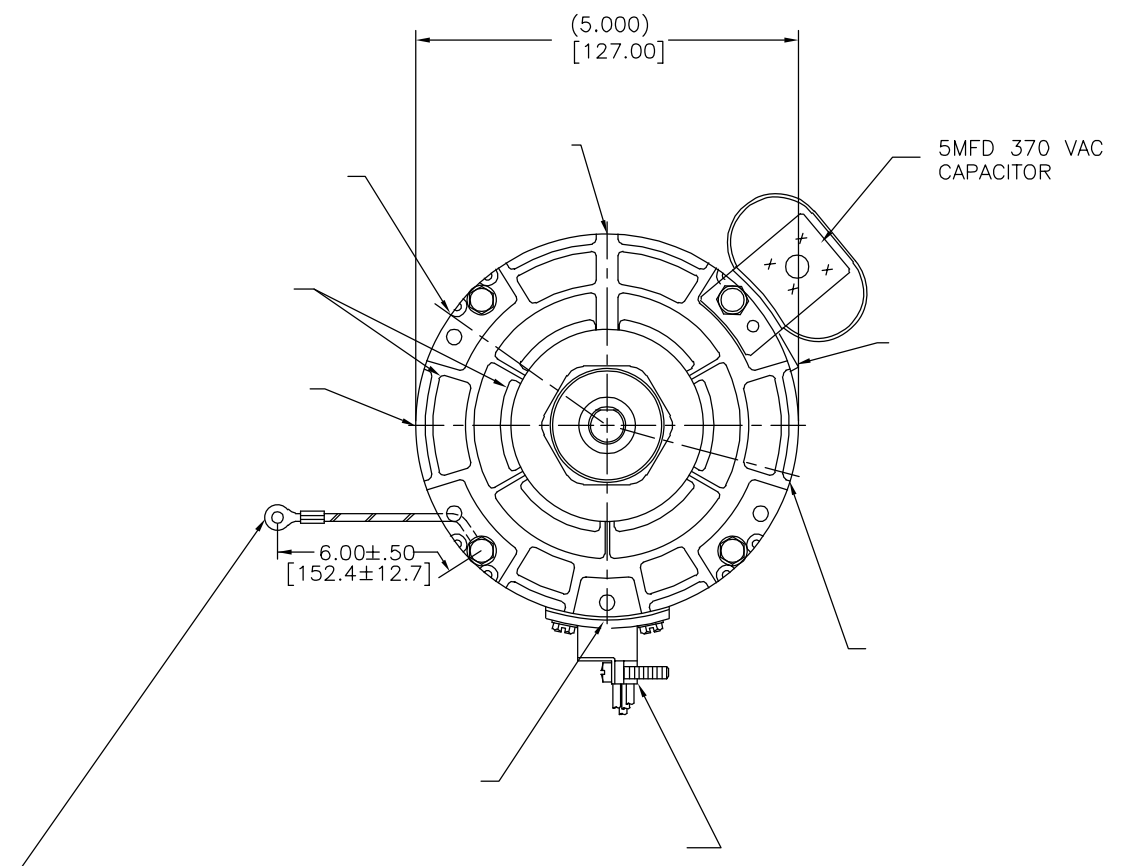
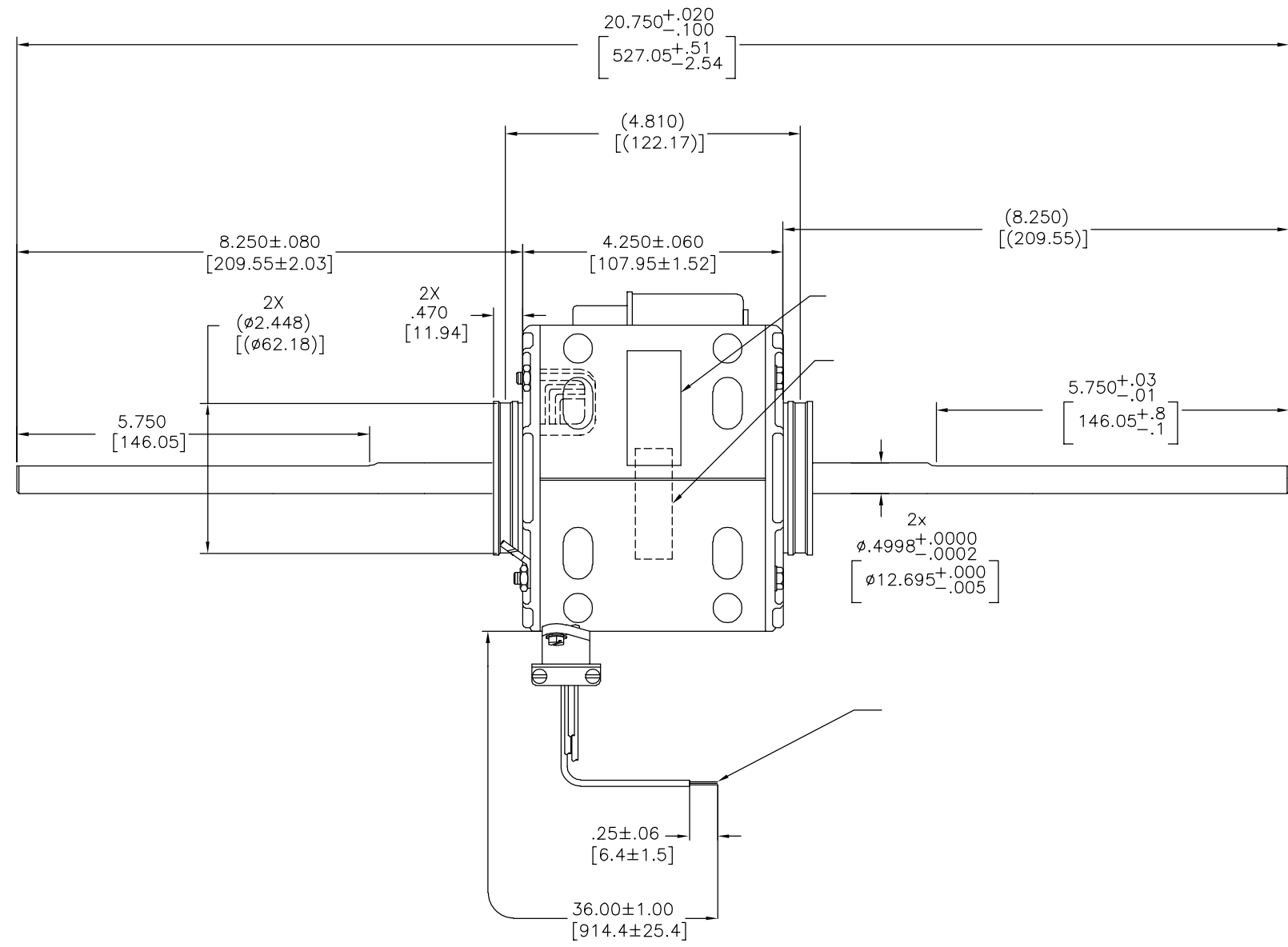
ELECTRICAMENTE DE ACUERDO A LA MUESTRA S-794E CURVA #32278

CARACTERISTICAS DE GEOMETRIA Y SIMBOLOS: ▽ PLANICIDAD - RECTITUD < ANGULARIDAD ⊥ PERPENDICULARIDAD (A ESCUADRA) // PARALELISMO ○ REDONDEZ (CIRCULARIDAD) ⌀ CILINDRICIDAD ⌒ PERFIL DE CUALQUIER SUPERFICIE ⌒ PERFIL DE CUALQUIER LINEA ⌒ VARIACION REAL ⊙ POSICION REAL ⊙ CONCENTRICIDAD = SIMETRIA	A MENOS QUE SE ESPECIFIQUE DE OTRA MANERA, LAS TOLERANCIAS DE LAS DIMS, SON LAS SIGUIENTES: PULG ±.1 ±.02 ±.005 ±.0005 mm ±0.5 ±0.13 ±0.013 ANG ±50 GRADOS ELIMINAR REBASAS Y ORILLAS FILOSAS DEL BORDE. PULG .003-.015 mm 0.1-0.4 FILETEAR ESQUINA: PULG .020 mm 0.5 MAQUINAR SUPERFICIES PULG 125 mm 3.2 DIMS METRICAS MOSTRADAS [PARENTESIS]
---	--

DIBUJADO POR: TLB	02-09-2001
APROBADO POR: DRB	
TERCER ANGULO DE PROYECCION	FECHA EDS: 11-11-2011 REV. FORMATO: H
CONFIDENCIAL: ESTE DIBUJO Y SU INFORMACION SON PROPIEDAD DE USO EXCLUSIVO Y CONFIDENCIAL DE REGAL-BELOIT CORPORATION, Y NO DEBERAN SER REVELADOS, DUPLICADOS, DISTRIBUIDOS O USARSE DE OTRA MANERA SIN EL CONSENTIMIENTO ESCRITO DE REGAL-BELOIT CORPORATION. -TODOS LOS DERECHOS RESERVADOS.	

ROT: CWLE PLACA DE DATOS:  Tipp City, OH • THERMALLY PROTECTED	
SER. DATE & PO# PLT LTR MOD DE3G111N STOCK NO. 670 VOLTS 115 HZ60 AMPS2.7 RPM1075 SP PH1 CAP INS CL AMB °C HP1/6 CONT AO → ROTATION → BRG SLV ASSEMBLED IN MEXICO BK-HI 2.7A 1/6HP BU-MED 1.6A 1/10HP RD-LOW 1.0A 1/20HP WH-COM BR-CAP	
DESCRIPCION: MODEL-RFHP-42FR OUTLINE	
TAMAÑO: D	NUMERO DE DIBUJO: DE3G7111
ESCALA: NONE	HOJA: 1

版本	ECO	编制	日期	批准	日期
D	0029000	I.ORTIZ	10-17-2012	M.AVILA	10-17-2012



ROT: CWLE

Century Tipp City, OH
 THERMALLY PROTECTED

SER. DATE & PO# PLT LTR MOD DE3G111N STOCK NO. 670
 VOLTS 115 HZ60 AMPS2.7
 RPM1075 SP PH1 CAP
 INS CL AMB °C HP1/6 CONT AO }-ROTATION-
 BRG SLV
 BK-HI 2.7A 1/6HP ASSEMBLED IN MEXICO
 BU-MED 1.6A 1/10HP
 RD-LOW 1.0A 1/20HP
 WH-COM
 BR-CAP

形位公差 平面度 直线度 倾斜度 垂直度 平行度 圆度 圆柱度 圆跳动 位置度 同轴度 对称度	除另有注明 尺寸公差如下: 英寸 X XX XXX XXXX 毫米 ±.1 ±.02 ±.005 ±.0005 毫米 ±0.5 ±0.13 ±0.013 角度 ±.50 度 清理毛刺和尖棱 英寸 .003-.015 毫米 0.1-0.4 内圆角 英寸 .020 毫米 0.5 表面粗糙度 英制 125 米制 3.2 米制尺寸显示在 []	绘图: TLB 批准: DRB 第三角投影 机密: 本图纸及相关信息所有权归REGAL-BELOIT CORPORATION 未经REGAL-BELOIT CORPORATION书面授权, 不得泄露、 复制、传播或作其他用途。—版权所有	02-09-2001 11-11-2011 H 图号: DE3G7111 比例: NONE	名称: MODEL-RFHP-42FR OUTLINE 图号: DE3G7111 页号: 1
	ASME Y14.5M 1994 米制尺寸显示在 []	图号: DE3G7111 比例: NONE	图号: DE3G7111 比例: NONE	图号: DE3G7111 比例: NONE