

PRODUCT INFORMATION PACKET



Model No: 608

Catalog No: 608

Refrigeration Motor, 1/10 HP, 1 Ph, 60 Hz, 115/230 V, 1050 RPM, 1 Speed, 42 Frame, OAO



Regal and Century are trademarks of Regal Rexnord Corporation or one of its affiliated companies.
©2022 Regal Rexnord Corporation, All Rights Reserved. MC017097E





Nameplate Specifications

Output HP	1/10 Hp	Output KW	0.07 kW
Frequency	60 Hz	Voltage	115/230 V
Current	4.6/2.3 A	Speed	1050 rpm
Service Factor	1	Phase	1
Duty	Continuous Air Over	Insulation Class	A
Frame	42	Enclosure	Open Air Over
Thermal Protection	Thermally Protected	Ambient Temperature	40 °C
UL	Recognized	CSA	Y
CE	N	Number of Speeds	1

Technical Specifications

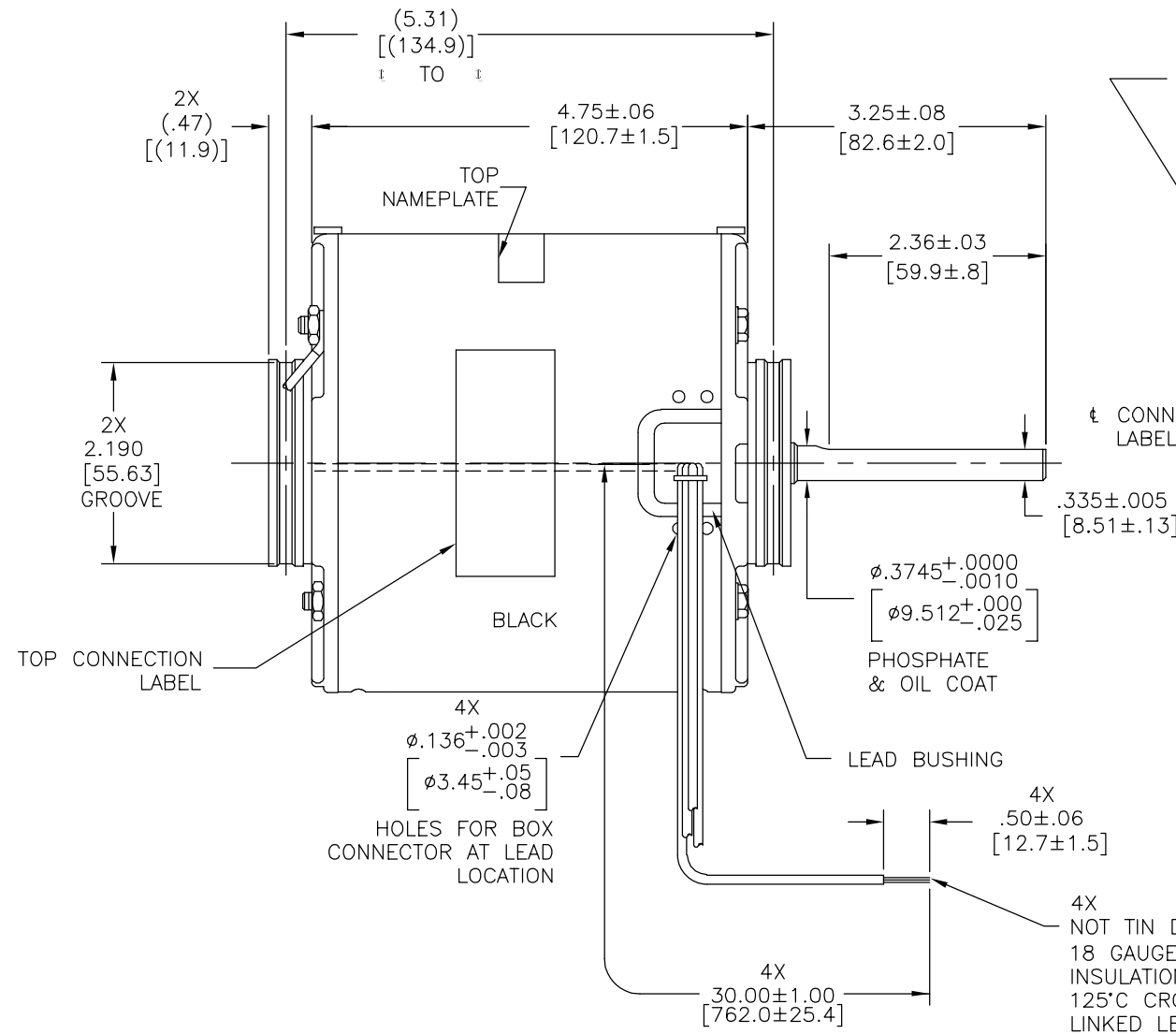
Electrical Type	Shaded Pole	Starting Method	Across The Line
Poles	6	Rotation	Clockwise Shaft End
Mounting	Resilient Rings	Motor Orientation	Horizontal
Drive End Bearing	Sleeve	Opp Drive End Bearing	Sleeve
Frame Material	Rolled Steel	Shaft Type	Flat
Overall Length	8.87 in	Frame Length	4.17 in
Shaft Diameter	0.375 in	Shaft Extension	3 1/4 in
Outline Drawing	DA3F7143-S01		

This is an uncontrolled document once printed or downloaded and is subject to change without notice. Date Created:11/29/2022

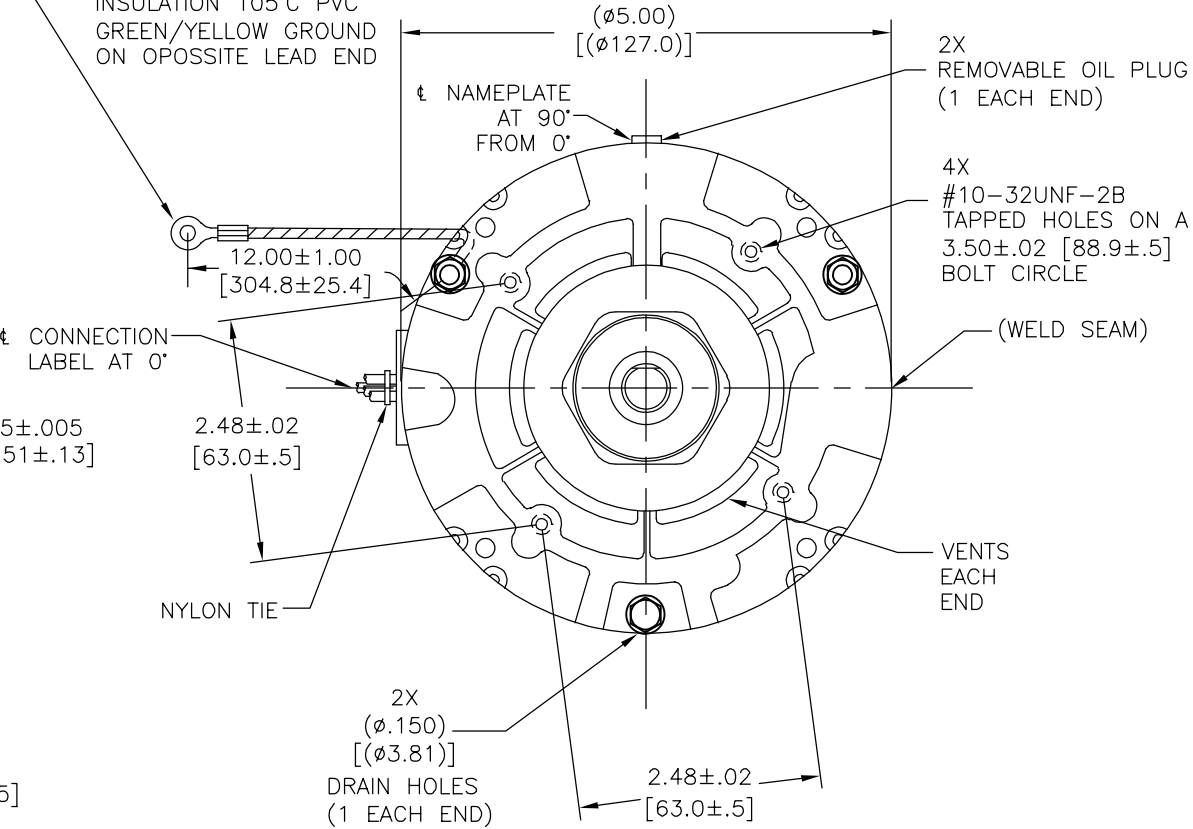
CUSTOMER IS SOLELY RESPONSIBLE FOR MOTOR PERFORMANCE AND SUITABILITY IN APPLICATIONS FOR CUSTOMER'S USES

REV	ECO	REV BY	DATE	APPD	DATE
M	0028995	J.AGUILERA	10-25-2012	D.BALDERRAMA	10-25-2012

ENDPLAY .005[0.13]MINIMUM-.040[1.02] MAXIMUM
 MAXIMUM SHAFT RUN OUT .001[.03] PER INCH
 MAXIMUM RUN OUT NOT TO EXCEED .010[.25]

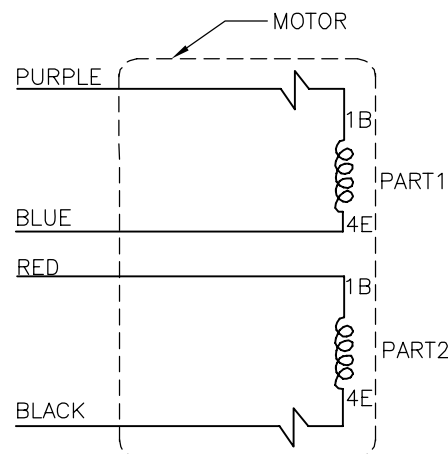


RING TERMINAL FOR #10 SCREW ON 16 GAUGE .03[.8] INSULATION 105°C PVC GREEN/YELLOW GROUND ON OPOSITE LEAD END



CONNECTION LABEL 63T7432-180

SCHEMATIC-282



COLOR CODE	
115 V	PURPLE & RED TO LINE BLUE & BLACK TO LINE
230 V	PURPLE TO ONE LINE BLACK TO OTHER LINE RED & BLUE TOGETHER & INSULATION

GEOMETRIC CHARACTERISTICS & SYMBOLS
 □ FLATNESS
 - STRAIGHTNESS
 < ANGLARITY
 ⊥ PERPENDICULARITY (SQUARENESS)
 // PARALLELISM
 ○ ROUNDNESS (CIRCULARITY)
 ∅ CYLINDRICITY
 △ PROFILE OF ANY SURFACE
 ∩ PROFILE OF ANY LINE
 ∞ RUNOUT
 ⊕ TRUE POSITION
 ⊙ CONCENTRICITY
 = SYMMETRY

UNLESS OTHERWISE SPECIFIED DIM. TOLERANCES ARE AS FOLLOWS:
 INCH X XX XXX XXXX
 mm ±0.5 ±0.13 ±0.013
 ANG. ±.50 DEG
 REMOVE BURRS & BREAK SHARP EDGES:
 INCH .003-.015 mm 0.1-0.4
 CORNER FILLETS TO:
 INCH .020 mm 0.5
 MACHINE SURFACES:
 INCH 125 mm 3.2

DR BY: DLC 10-16-1998
 APPD: DRB 10-16-1998
 THIRD ANGLE PROJECTION
 EDS DATE 11-11-2011
 FORMAT REV H
 CONFIDENTIAL: THIS DRAWING AND ITS INFORMATION ARE THE EXCLUSIVE AND CONFIDENTIAL PROPERTY OF REGAL-BELOIT CORPORATION AND ARE NOT TO BE DISCLOSED, DUPLICATED, DISTRIBUTED OR OTHERWISE USED WITHOUT THE WRITTEN CONSENT OF REGAL-BELOIT CORPORATION. -ALL RIGHTS RESERVED.

ROT: CWLE-CWSE

NAMEPLATE DATA:



Tipp City, OH
 THERMALLY PROTECTED



SER. DATE & PO# PLT LTR MOD DA3F143N# STK NO 608
 VOLTS 115/230 HZ 60 AMPS 4.6/2.3
 RPM 1050 SP PH 1 CAP
 INS CL B AMB 40°C HP 1/10 CONT A.O. → ROTATION →
 BRG SLV ASSEMBLED IN MEXICO

REGAL REGAL-BELOIT CORPORATION

DESCRIPTION	
MODEL-RFHP-42FR OUTLINE	
SIZE C	DWG NO DA3F7143
SCALE NONE	SHEET 1

4

3

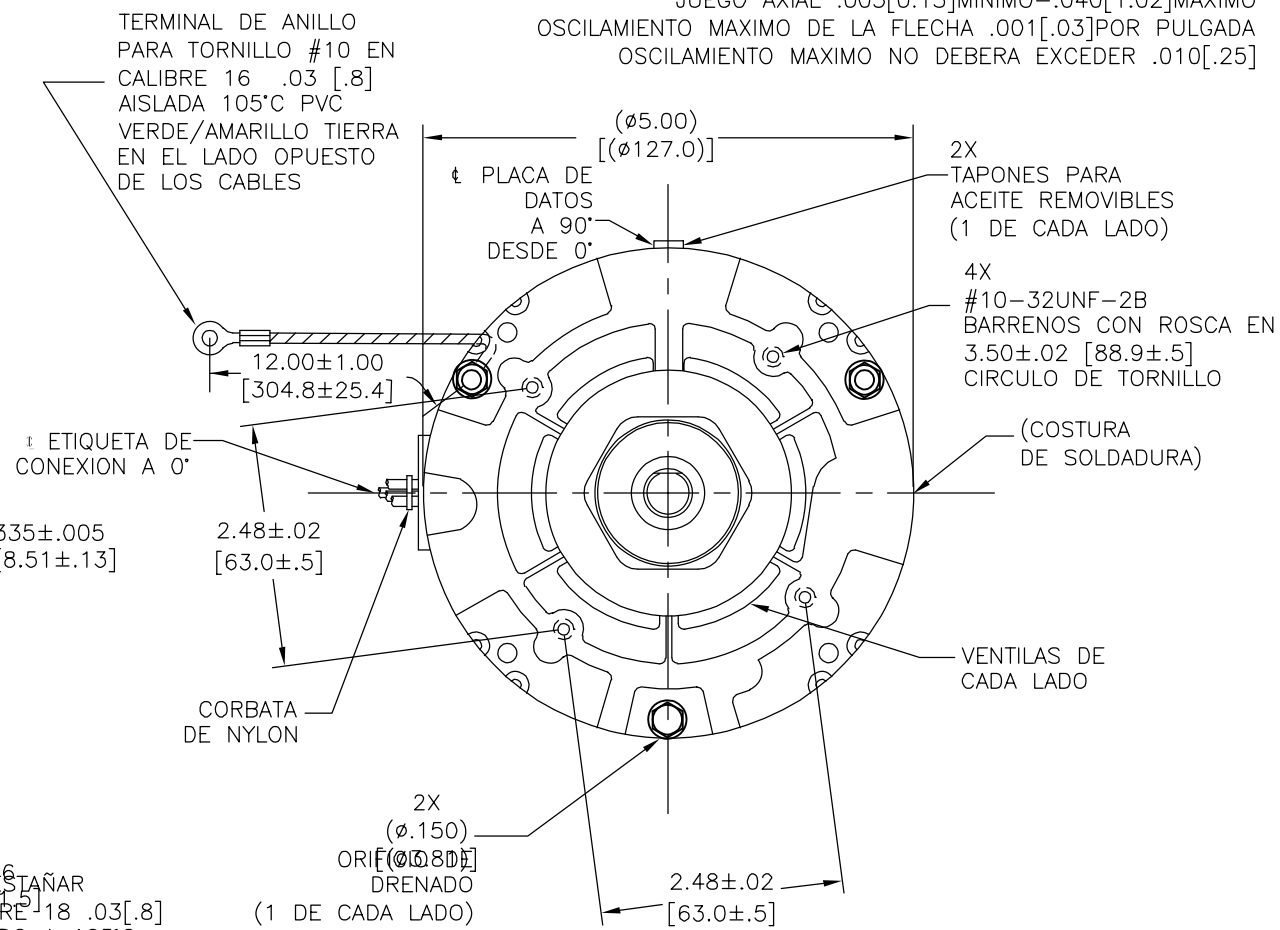
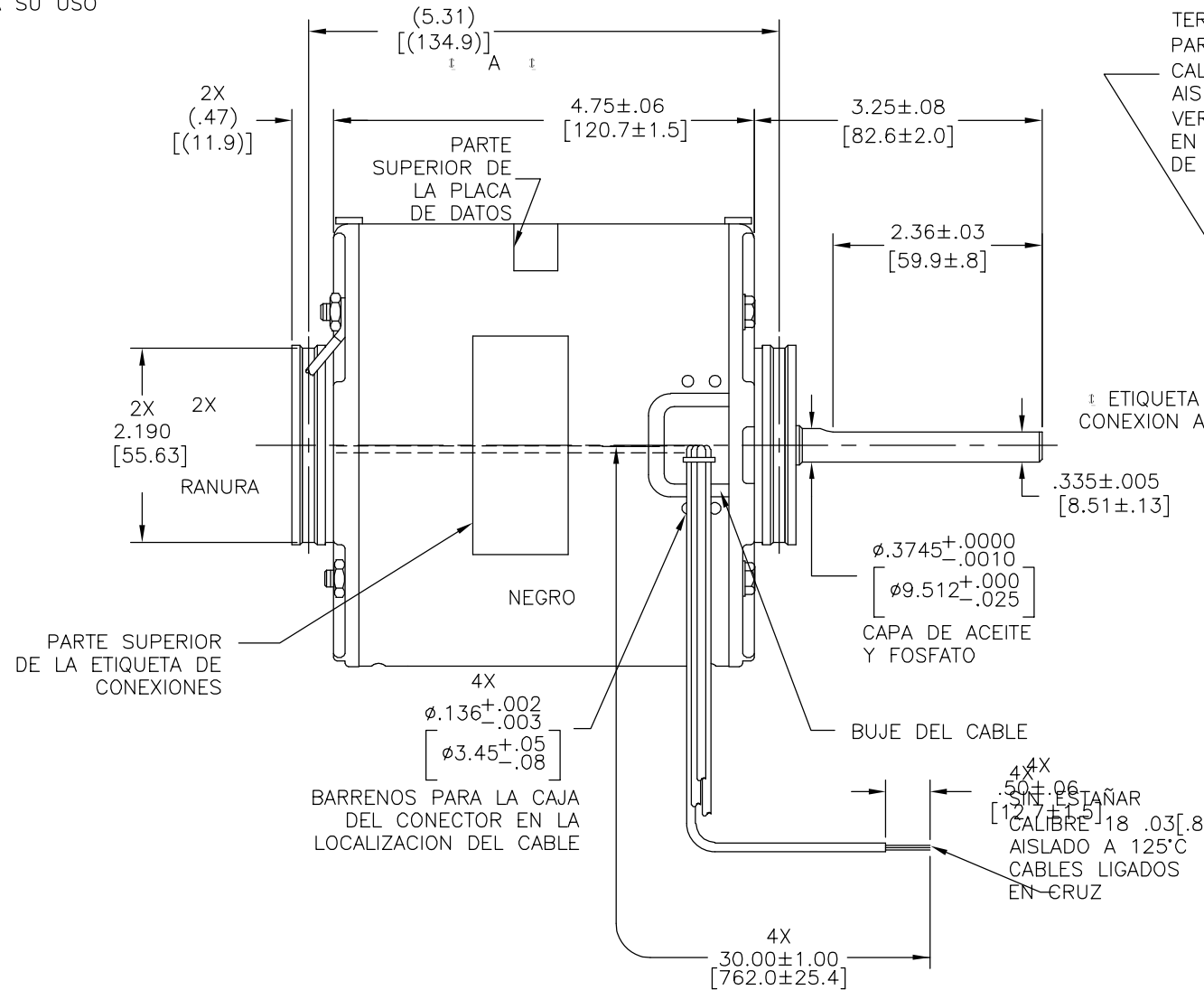
2

1

EL CLIENTE ES UNICAMENTE RESPONSABLE POR EL DESEMPEÑO DEL MOTOR Y APLICACIONES APROPIADAS PARA SU USO

REVISION:	ECO	REVISADO POR:	FECHA:	APROBADO POR:	FECHA:
M	0028995	J.AGUILERA	10-25-2012	D.BALDERRAMA	10-25-2012

JUEGO AXIAL .005[0.13]MINIMO-.040[1.02]MAXIMO
 OSCILAMIENTO MAXIMO DE LA FLECHA .001[.03]POR PULGADA
 OSCILAMIENTO MAXIMO NO DEBERA EXCEDER .010[.25]



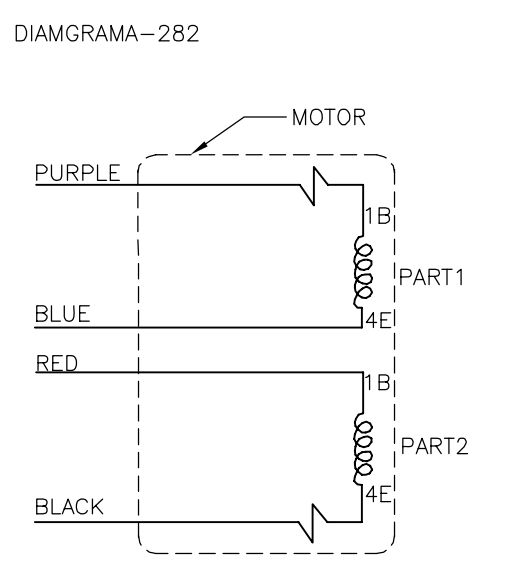
ETIQUETA DE CONEXION
 63T7432-180

ROT: CWLE-CWSE

PLACA DE DATOS:

Century Tipp City, OH THERMALLY PROTECTED

SER. DATE & PO# PLT LTR MOD DA3F143N# STK NO 608
 VOLTS 115/230 HZ 60 AMPS 4.6/2.3
 RPM 1050 SP PH 1 CAP
 INS CL B AMB 40°C HP 1/10 CONT A.O. ROTATION →
 BRG SLV ASSEMBLED IN MEXICO



CODIGO DE COLOR	
115 V	MORADO Y ROJO A LA LINEA AZUL Y NEGRO A LA LINEA
230 V	MORADO A UNA LINEA NEGRO A LA OTRA LINEA ROJO Y AZUL JUNTOS Y AISLADOS

CARACTERISTICAS DE GEOMETRIA Y SIMBOLOS

- PLANICIDAD
- RECTITUD
- ∠ ANGULARIDAD
- ⊥ PERPENDICULARIDAD (A ESCUADRA)
- // PARALELISMO
- REDONDEZ (CIRCULARIDAD)
- ⊘ CILINDRICIDAD
- △ PERFIL DE CUALQUIER SUPERFICIE
- ∧ PERFIL DE CUALQUIER LINEA
- ∩ VARIACION
- ⊕ POSICION REAL
- ⊙ CONCENTRICIDAD
- = SIMETRIA

A MENOS QUE SE ESPECIFIQUE DE OTRA MANERA, LAS TOLERANCIAS DE LAS DIMS; SON LAS SIGUIENTES:

PULG ±.1 ±.02 ±.005 ±.0005
 mm ±0.5 ±0.13 ±0.013

ANG. ±50 GRADOS
 ELIMINAR REBABAS Y ORILLAS FILOSAS DEL BORDE.

PULG .003-.015 mm 0.1-0.4
 FILETEAR ESQUINA: PULG .020 mm 0.5
 MAQUINAR SUPERFICIES
 PULG 125 mm 3.2

DIMS METRICAS MOSTRADAS [PARENTESIS]

ASME Y14.5M 1994

DIBUJADO POR:	DLC	10-16-1998
APROBADO POR:	DRB	10-16-1998
TERCER ANGULO DE PROYECCION	FECHA EDS: 11-11-2011	REV. FORMATO: H
CONFIDENCIAL: ESTE DIBUJO Y SU INFORMACION SON PROPIEDAD DE USO EXCLUSIVO Y CONFIDENCIAL DE REGAL-BELOIT CORPORATION. Y NO DEBERAN SER REVELADOS, DUPLICADOS, DISTRIBUIDOS O USARSE DE OTRA MANERA SIN EL CONSENTIMIENTO ESCRITO DE REGAL-BELOIT CORPORATION. -TODOS LOS DERECHOS RESERVADOS.		

REGAL REGAL-BELOIT CORPORATION	
DESCRIPCION: MODEL-RFHP-42FR OUTLINE	
TAMAÑO: C	NUMERO DE DIBUJO: DA3F7143
ESCALA: NONE	HOJA: 1

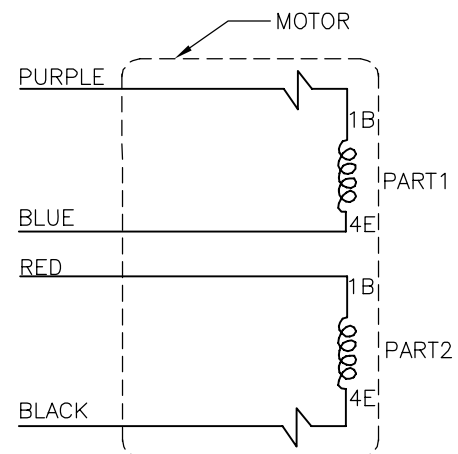
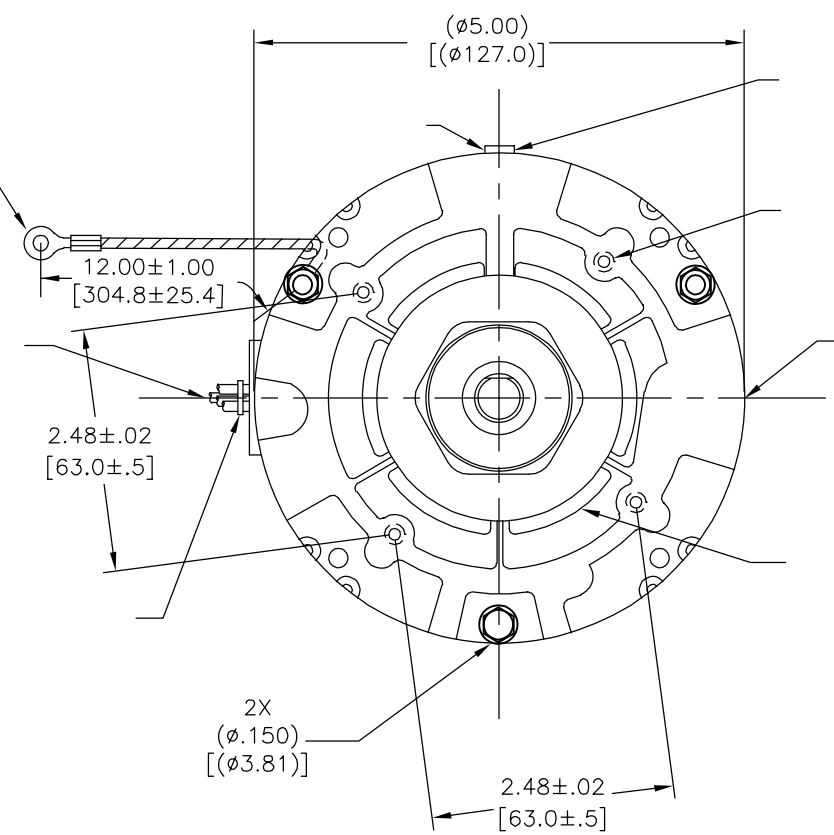
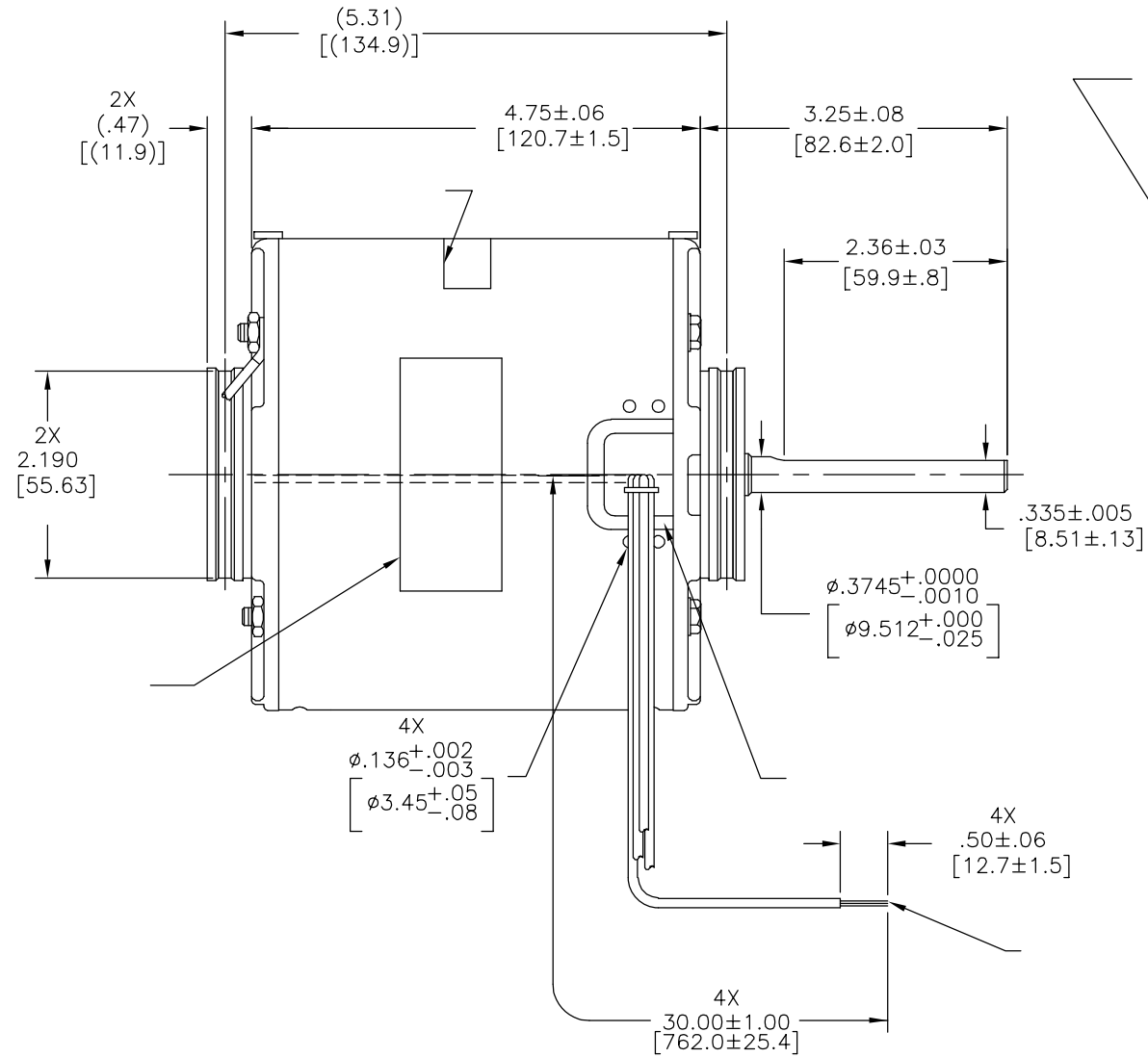
4

3

2

1

版本	ECO	编制	日期	批准	日期
M	0028995	J.AGUILERA	10-25-2012	D.BALDERRAMA	10-25-2012



115 V	
230 V	

形位公差
 □ 平面度
 — 直线度
 < 倾斜度
 ⊥ 垂直度
 // 平行度
 ○ 圆度
 ⊙ 圆柱度
 △ 面轮廓度
 ⊖ 线轮廓度
 ⊕ 圆跳动
 ⊕ 位置度
 ⊕ 同轴度
 ≡ 对称度

除另有注明
 尺寸公差如下:
 英寸 X XX XXX XXXX
 毫米 ±.1 ±.02 ±.005 ±.0005
 毫米 ±0.5 ±0.13 ±0.013
 角度 ±.50 度
 清理毛刺和尖棱
 英寸 .003-.015 毫米 0.1-0.4
 内圆角
 英寸 .020 毫米 0.5
 表面粗糙度
 英制 125 米制 3.2
 米制尺寸显示在L

ASME Y14.5M 1994

ROT: CWLE-CWSE



SER. DATE & PO# PLT LTR MOD DA3F143N# STK NO 608
 VOLTS 115/230 HZ 60 AMPS 4.6/2.3
 RPM 1050 SP PH 1 CAP
 INS CL B AMB 40°C HP 1/10 CONT A.O. ROTATION →
 BRG SLV
 ASSEMBLED IN MEXICO

绘图:	DLC	10-16-1998
批准:	DRB	10-16-1998
第三角投影		图纸格式发布日期 11-11-2011 图纸格式版本 H
机密: 本图纸及相关信息所有权归REGAL-BELOIT CORPORATION. 未经REGAL-BELOIT CORPORATION书面授权, 不得泄露、复制、传播或作其他用途。—版权所有		

REGAL REGAL-BELOIT CORPORATION	
名称	MODEL-RFHP-42FR OUTLINE
图幅	C 图号 DA3F7143
比例	NONE 页号 1