

PRODUCT INFORMATION PACKET



Model No: 53

Catalog No: 53

Fan Coil & Air Conditioner Motor, 1/12 HP, 1 Ph, 60 Hz, 115 V, 1550 RPM, 1 Speed, 4.4" Diameter,
OPEN



Regal and Century are trademarks of Regal Rexnord Corporation or one of its affiliated companies.
©2022 Regal Rexnord Corporation, All Rights Reserved. MC017097E





Nameplate Specifications

Output HP	1/12 Hp	Output KW	0.06 kW
Frequency	60 Hz	Voltage	115 V
Current	2.6 A	Speed	1550 rpm
Service Factor	1	Phase	1
Duty	Continuous Air Over	Insulation Class	B
Frame	4.4	Enclosure	Open Enclosed
Thermal Protection	Automatic	Ambient Temperature	40 °C
UL	Recognized	CSA	Y
CE	N	Number of Speeds	1

Technical Specifications

Electrical Type	Shaded Pole	Starting Method	Across The Line
Poles	4	Rotation	Counterclockwise Lead End
Mounting	Extended Studs	Motor Orientation	Horizontal
Drive End Bearing	Sleeve	Opp Drive End Bearing	Sleeve
Frame Material	Rolled Steel	Shaft Type	Flat
Overall Length	16.38 in	Shaft Diameter	0.375 in
Shaft Extension	6 1/4 X 3/8 X 6 1/4 in		
Outline Drawing	CA2G178-S01		

This is an uncontrolled document once printed or downloaded and is subject to change without notice. Date Created:11/29/2022

4

3

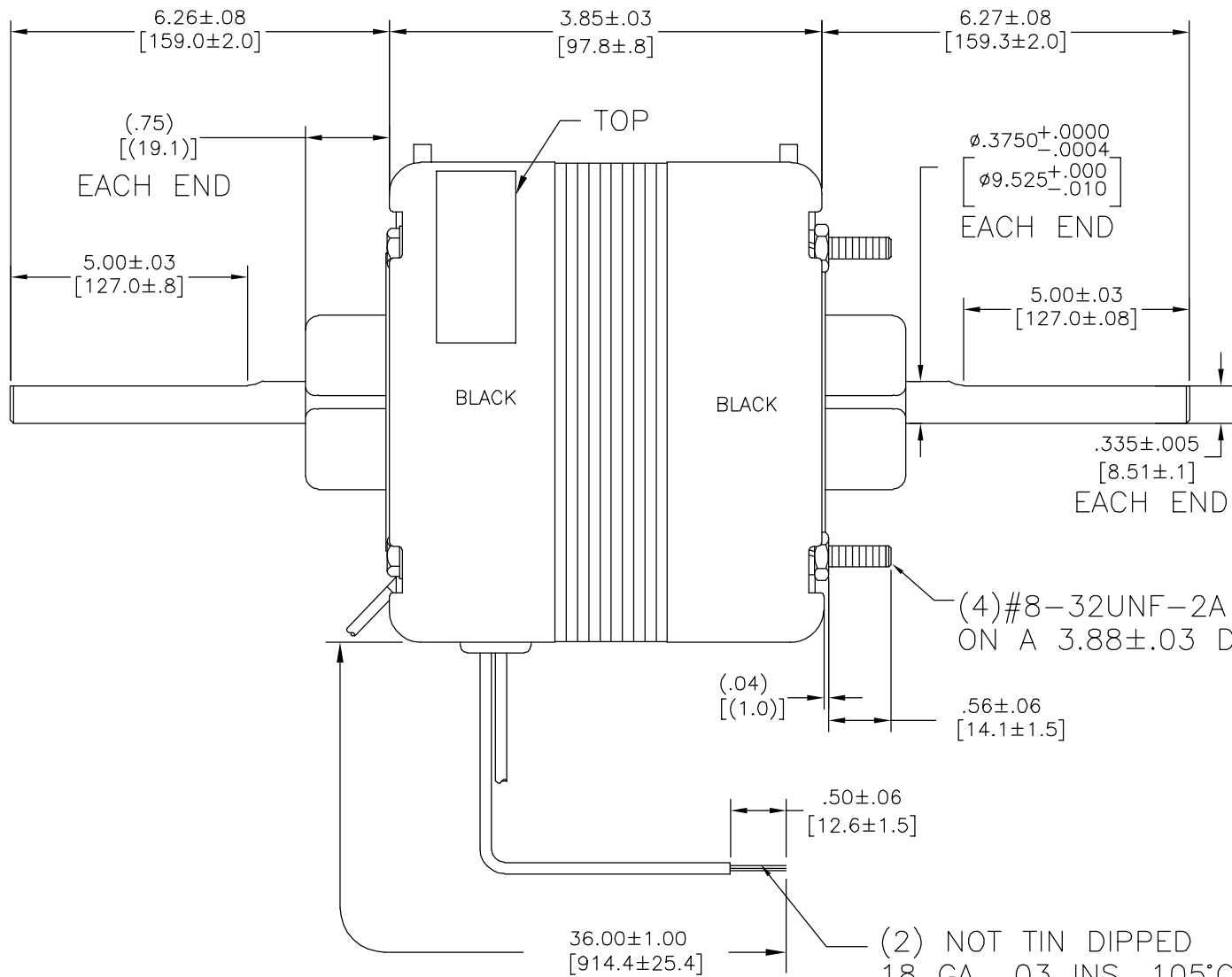
2

1

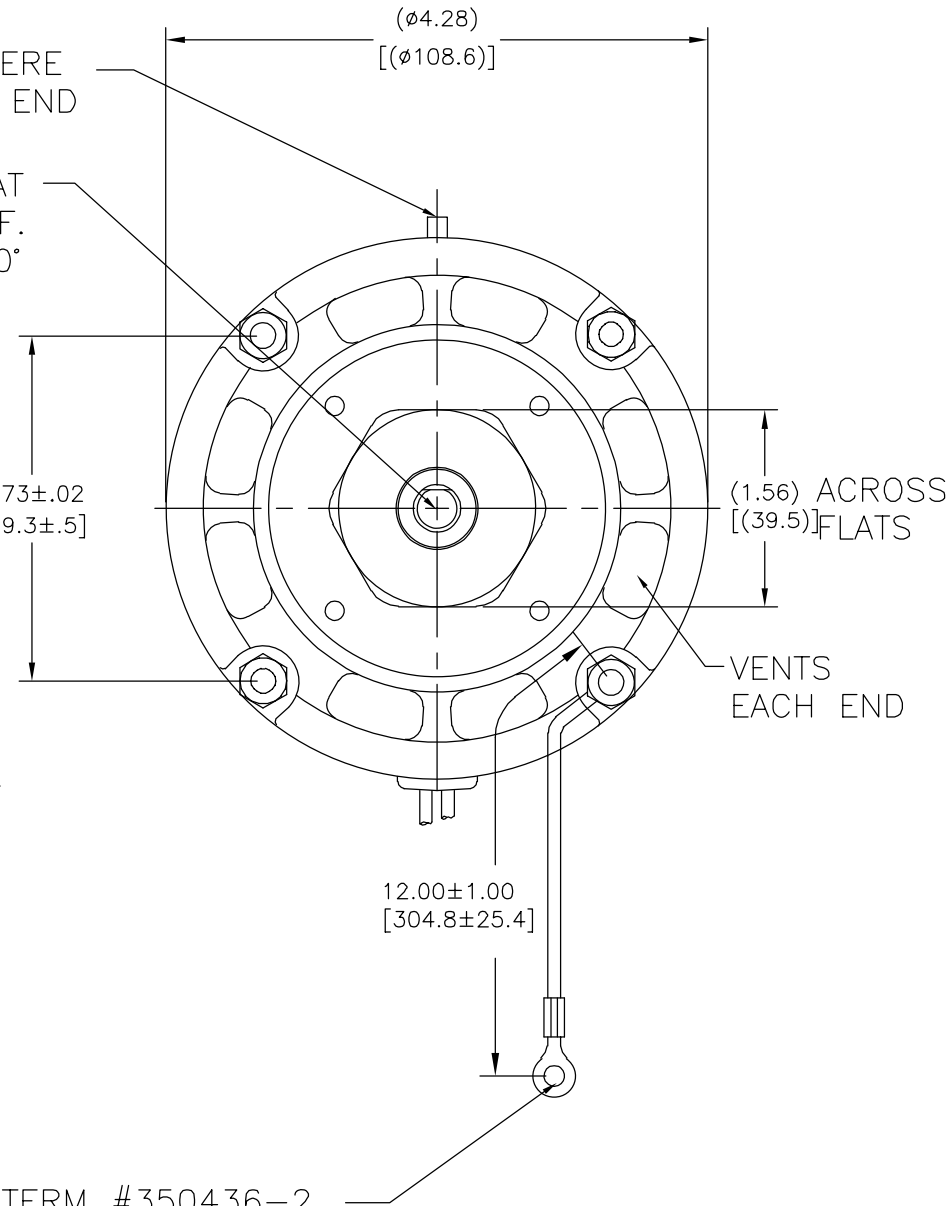
CUSTOMER IS SOLELY RESPONSIBLE FOR MOTOR PERFORMANCE AND SUITABILITY IN APPLICATIONS FOR CUSTOMER'S USES

REV	ECO	REV BY	DATE	APPD	DATE
BF	0027378	H.REN	07-13-2012	B.SHEN	07-13-2012

END PLAY .04[1.0] MAXIMUM



OIL HERE EACH END
 NP AT 45° REF. FROM 0°



NAMEPLATE DATA:



THERMALLY PROTECTED

SER. DATE PLT MOD CA2G178N# STOCK NO 53
 115V 60HZ 2.6A 1550RPM 155W 1/12HP 1PH
 CONT A.O. ASSEMBLED IN MEXICO

Tipp City, OH



← ROTATION →

(2) NOT TIN DIPPED
 18 GA. .03 INS. 105°C
 PVC LEADS
 (1) AMP TERM #350436-2
 FOR #10 SCREW ON GREEN
 GROUND 18 GA. .03 INS.
 105°C PVC ON L.E.

CCWLE BOM CHG [BD]

GEOMETRIC CHARACTERISTICS & SYMBOLS	
▭	FLATNESS
-	STRAIGHTNESS
∠	ANGULARITY
⊥	PERPENDICULARITY (SQUARENESS)
∥	PARALLELISM
○	ROUNDNESS (CIRCULARITY)
⊘	CYLINDRICITY
△	PROFILE OF ANY SURFACE
∧	PROFILE OF ANY LINE
↗	RUNOUT
⊕	TRUE POSITION
⊙	CONCENTRICITY
≡	SYMMETRY

UNLESS OTHERWISE SPECIFIED
 DIM. TOLERANCES ARE AS FOLLOWS:
 INCH X XX XXX XXXX
 ±.1 ±.02 ±.005 ±.0005
 mm ±0.5 ±0.13 ±0.013
 ANG. ±.50 DEG
 REMOVE BURRS & BREAK SHARP EDGES:
 INCH .003-.015 mm 0.1-0.4
 CORNER FILLETS TO:
 INCH .020 mm 0.5
 MACHINE SURFACES:
 INCH 125 mm 3.2
 METRIC DIMS. SHOWN IN [BRACKETS]

DR BY:
 APPD:
 THIRD ANGLE PROJECTION
 EDS DATE 11-11-2011
 FORMAT REV H
 CONFIDENTIAL: THIS DRAWING AND ITS INFORMATION ARE THE EXCLUSIVE AND CONFIDENTIAL PROPERTY OF REGAL-BELOIT CORPORATION AND ARE NOT TO BE DISCLOSED, DUPLICATED, DISTRIBUTED OR OTHERWISE USED WITHOUT THE WRITTEN CONSENT OF REGAL-BELOIT CORPORATION. -ALL RIGHTS RESERVED.

REGAL REGAL-BELOIT CORPORATION	
DESCRIPTION OUTLINE	
SIZE C	DWG NO CA2G178
SCALE NONE	SHEET 1

4

3

2

1

4

3

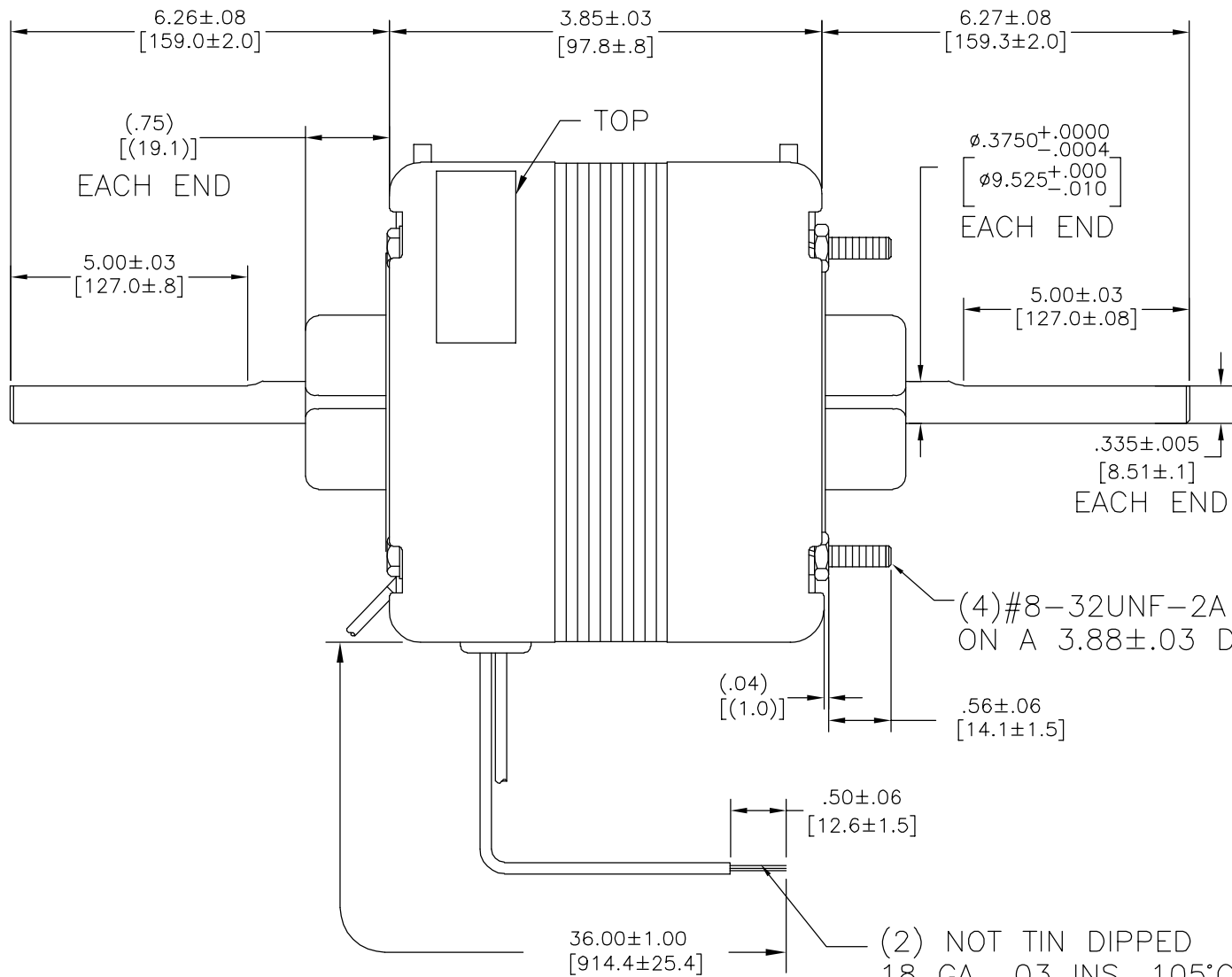
2

1

CUSTOMER IS SOLELY RESPONSIBLE FOR MOTOR PERFORMANCE AND SUITABILITY IN APPLICATIONS FOR CUSTOMER'S USES

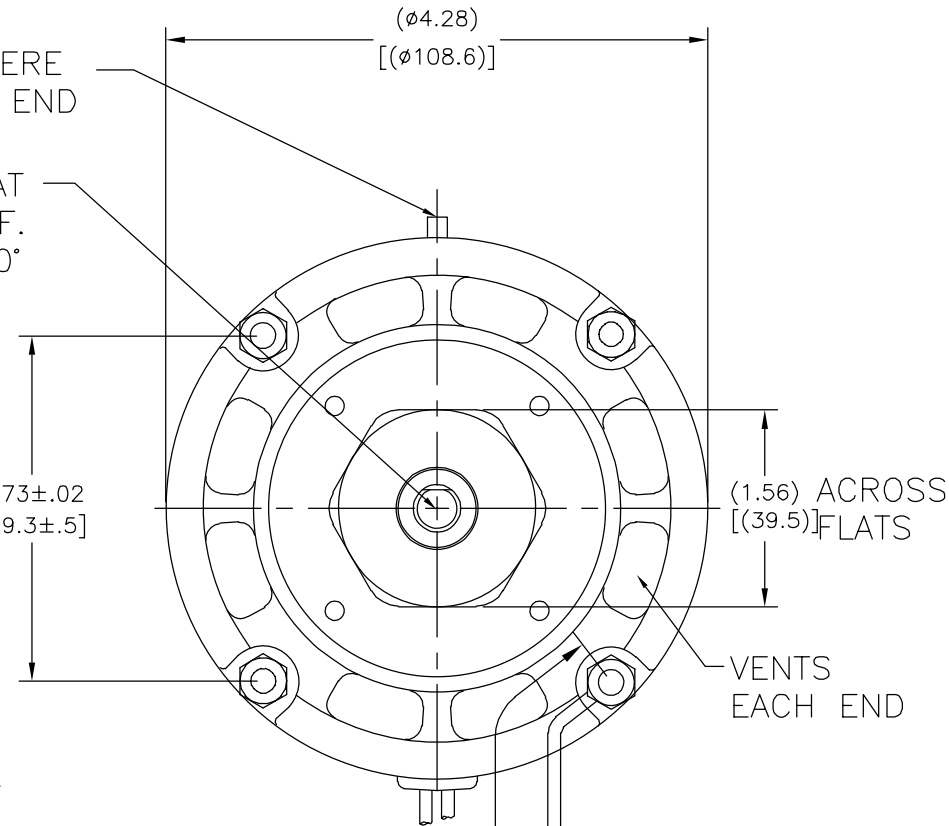
REVISION:	ECO	REVISADO POR:	FECHA:	APROBADO POR:	FECHA:
BF	0027378	H.REN	07-13-2012	B.SHEN	07-13-2012

END PLAY .04[1.0] MAXIMUM



OIL HERE EACH END

NP AT 45° REF. FROM 0°



VENTS EACH END

(4)#8-32UNF-2A ON A 3.88±.03 DIA. B.C.

(.04) [(1.0)]

(2) NOT TIN DIPPED 18 GA. .03 INS. 105°C PVC LEADS

(1) AMP TERM #350436-2 FOR #10 SCREW ON GREEN GROUND 18 GA. .03 INS. 105°C PVC ON L.E.

NAMEPLATE DATA:



THERMALLY PROTECTED

SER. DATE PLT MOD CA2G178N# STOCK NO 53
115V 60HZ 2.6A 1550RPM 155W 1/12HP 1PH
CONT A.O. ASSEMBLED IN MEXICO

Tipp City, OH



← ROTATION →

CCWLE BOM CHG [BD]

CARACTERISTICAS DE GEOMETRIA Y SIMBOLOS ▽ PLANICIDAD - RECTITUD < ANGULARIDAD ⊥ PERPENDICULARIDAD (A ESQUADRA) // PARALELISMO ○ REDONDEZ (CIRCULARIDAD) ∅ CILINDRICIDAD △ PERFIL DE CUALQUIER SUPERFICIE ∩ PERFIL DE CUALQUIER LINEA ∠ VARIACION ⊕ POSICION REAL ⊙ CONCENTRICIDAD = SIMETRIA	A MENOS QUE SE ESPECIFIQUE DE OTRA MANERA, LAS TOLERANCIAS DE LAS DIMS; SON LAS SIGUIENTES: PULG ±.1 ±.02 ±.005 ±.0005 mm ±0.5 ±0.13 ±0.013 ANG. ± 50 GRADOS ELIMINAR REBABAS Y ORILLAS FILOSAS DEL BORDE. PULG .003-.015 mm 0.1-0.4 FILETEAR ESQUINA: PULG .020 mm 0.5 MAQUINAR SUPERFICIES PULG 125 mm 3.2
---	--

DIBUJADO POR: APROBADO POR: TERCER ANGULO DE PROYECCION CONFIDENCIAL: ESTE DIBUJO Y SU INFORMACION SON PROPIEDAD DE USO EXCLUSIVO Y CONFIDENCIAL DE REGAL-BELOIT CORPORATION. Y NO DEBERAN SER REVELADOS, DUPLICADOS, DISTRIBUIDOS O USARSE DE OTRA MANERA SIN EL CONSENTIMIENTO ESCRITO DE REGAL-BELOIT CORPORATION. -TODOS LOS DERECHOS RESERVADOS.	FECHA EDS: 11-11-2011 REV. FORMATO: H
--	--

REGAL REGAL-BELOIT CORPORATION
DESCRIPCION: OUTLINE
TAMAÑO: C NUMERO DE DIBUJO: CA2G178
ESCALA: NONE HOJA: 1

DIBUJADO POR: APROBADO POR: TERCER ANGULO DE PROYECCION CONFIDENCIAL: ESTE DIBUJO Y SU INFORMACION SON PROPIEDAD DE USO EXCLUSIVO Y CONFIDENCIAL DE REGAL-BELOIT CORPORATION. Y NO DEBERAN SER REVELADOS, DUPLICADOS, DISTRIBUIDOS O USARSE DE OTRA MANERA SIN EL CONSENTIMIENTO ESCRITO DE REGAL-BELOIT CORPORATION. -TODOS LOS DERECHOS RESERVADOS.	FECHA EDS: 11-11-2011 REV. FORMATO: H
--	--

4

3

2

1

4

3

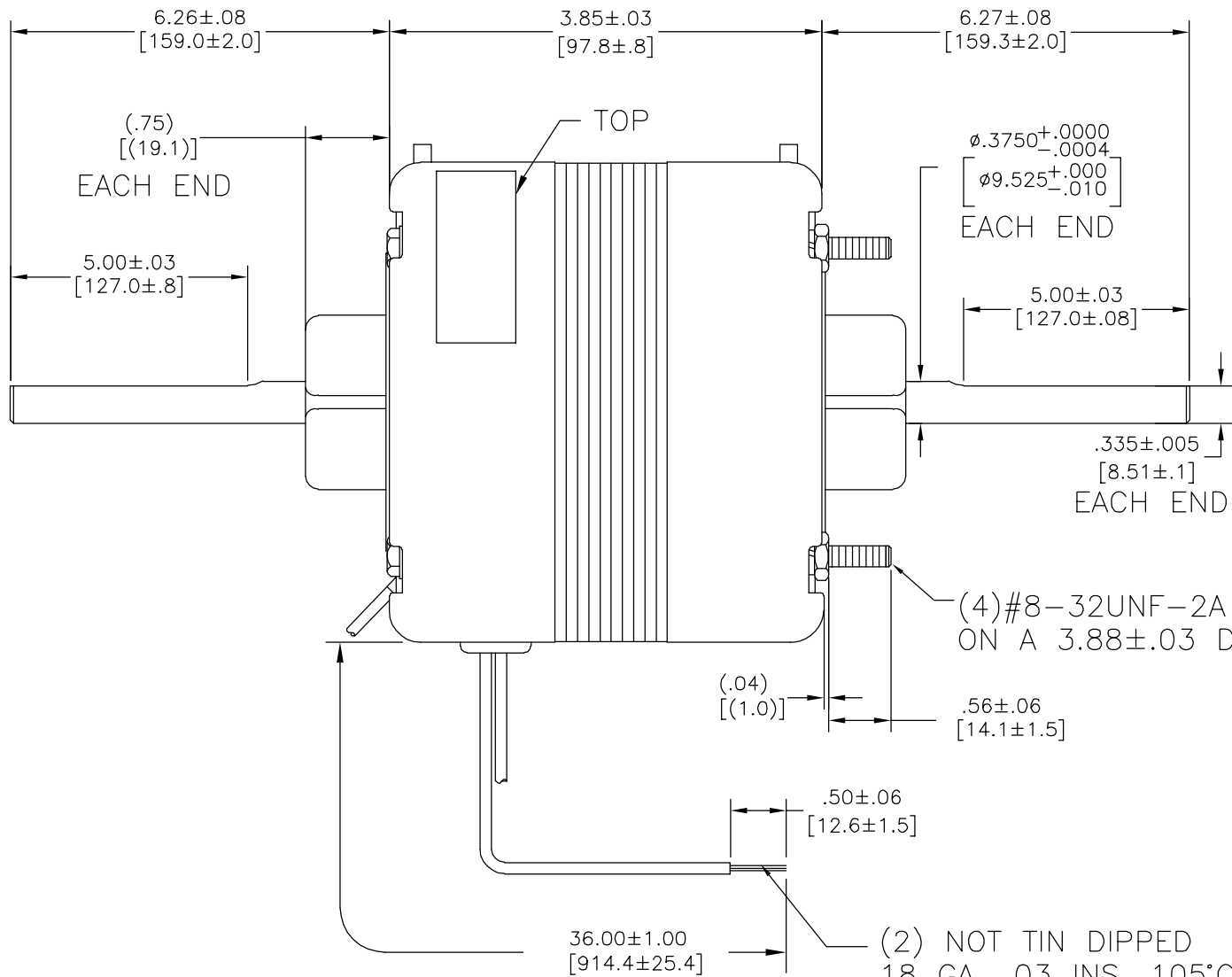
2

1

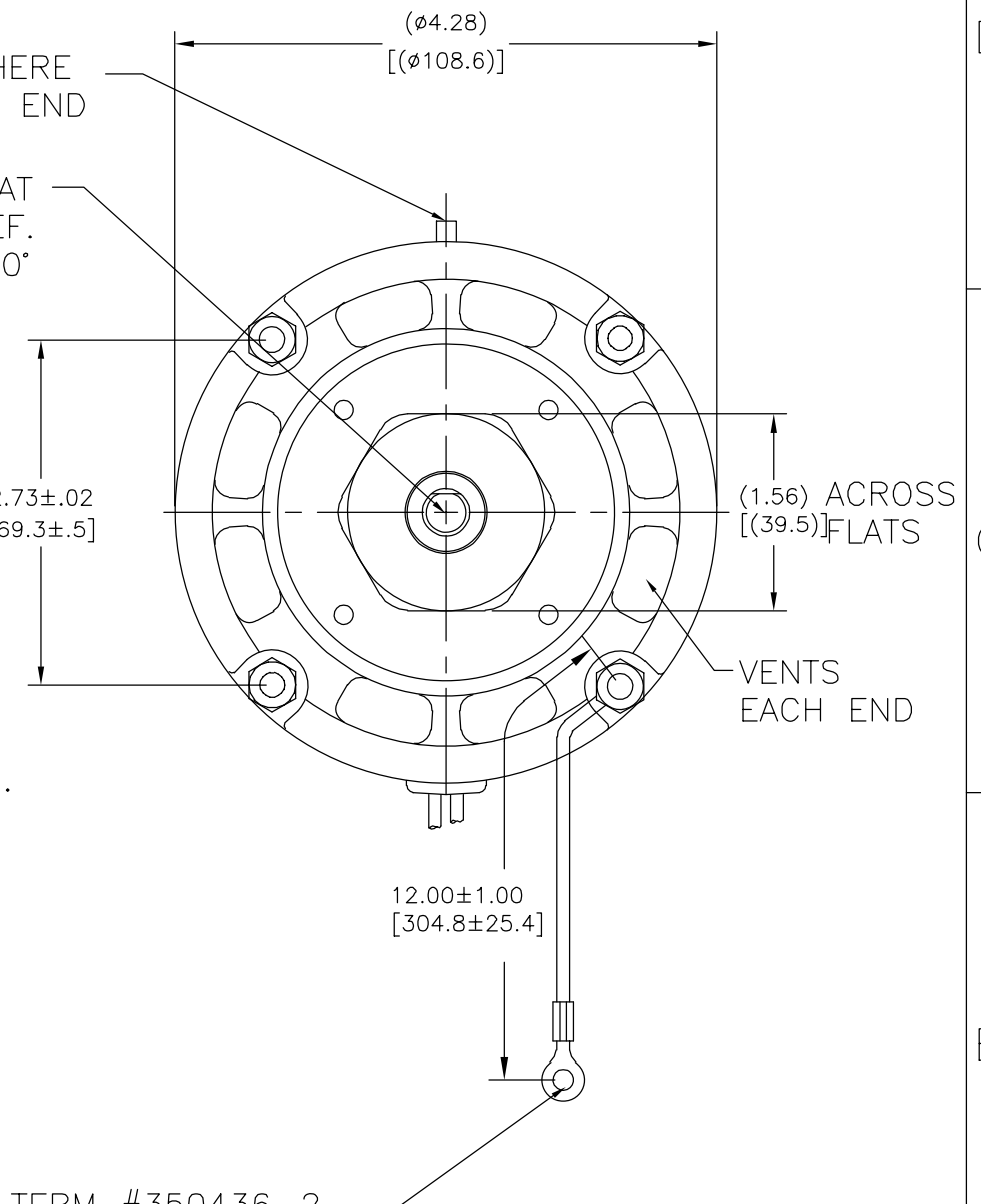
CUSTOMER IS SOLELY RESPONSIBLE FOR MOTOR PERFORMANCE AND SUITABILITY IN APPLICATIONS FOR CUSTOMER'S USES

版本	ECO	编制	日期	批准	日期
BF	0027378	H.REN	07-13-2012	B.SHEN	07-13-2012

END PLAY .04[1.0] MAXIMUM



OIL HERE EACH END
 NP AT 45° REF. FROM 0°
 (4)#8-32UNF-2A ON A 3.88±.03 DIA. B.C.



NAMEPLATE DATA:



THERMALLY PROTECTED
 SER. DATE PLT MOD CA2G178N# STOCK NO 53
 115V 60HZ 2.6A 1550RPM 155W 1/12HP 1PH

Tipp City, OH



CONT A.O. ASSEMBLED IN MEXICO ← ROTATION →

(1) AMP TERM #350436-2 FOR #10 SCREW ON GREEN GROUND 18 GA. .03 INS. 105°C PVC ON L.E.

CCWLE BOM CHG [BD]

形位公差 □ 平面度 — 直线度 ∠ 倾斜度 ⊥ 垂直度 ∥ 平行度 ○ 圆度 ⊘ 圆柱度 △ 面轮廓度 ⌒ 线轮廓度 ↗ 圆跳动 ⊕ 位置度 ⊙ 同轴度 ≡ 对称度	除另有注明 尺寸公差如下: 英寸 X XX XXX XXXX ±.1 ±.02 ±.005 ±.0005 毫米 ±0.5 ±0.13 ±0.013 角度 ±.50 度 清理毛刺和尖棱 英寸 .003-.015 毫米 0.1-0.4 内圆角 英寸 .020 毫米 0.5 表面粗糙度 英制 125 米制 3.2
--	---

绘图:
 批准:
 第三角投影
 机密: 本图纸及相关信息所有权归REGAL-BELOIT CORPORATION. 未经REGAL-BELOIT CORPORATION书面授权, 不得泄露、复制、传播或作其他用途。—版权所有

REGAL REGAL-BELOIT CORPORATION	
名称	OUTLINE
图幅	C
图号	CA2G178
比例	NONE
页号	1

4

3

2

1