

PRODUCT INFORMATION PACKET



Model No: 485
Catalog No: 485

OEM Replacement Motor, 1/20 HP, 1 Ph, 60 Hz, 115 V, 1050 RPM, 2 Speed, 42 Frame, OAO



Regal and Century are trademarks of Regal Rexnord Corporation or one of its affiliated companies.
©2022 Regal Rexnord Corporation, All Rights Reserved. MC017097E





Nameplate Specifications

Output HP	1/20 Hp	Output KW	0.04 kW
Frequency	60 Hz	Voltage	115 V
Current	.94 A	Speed	1050 rpm
Service Factor	1	Phase	1
Duty	Continuous Air Over	Insulation Class	B
Frame	42	Enclosure	Open Air Over
Thermal Protection	Automatic	Ambient Temperature	40 °C
UL	Recognized	CSA	Y
CE	N	Number of Speeds	2

Technical Specifications

Electrical Type	Permanent Split Capacitor	Starting Method	Across The Line
Poles	6	Rotation	Reversible
Mounting	Round Belly Band	Motor Orientation	Horizontal
Drive End Bearing	Sleeve	Opp Drive End Bearing	Sleeve
Frame Material	Rolled Steel	Shaft Type	Flat
Overall Length	6.43 in	Frame Length	2.67 in
Shaft Diameter	0.500 in	Shaft Extension	2.71 in
Outline Drawing	DE3C7001-S01		

This is an uncontrolled document once printed or downloaded and is subject to change without notice. Date Created:11/29/2022

4

3

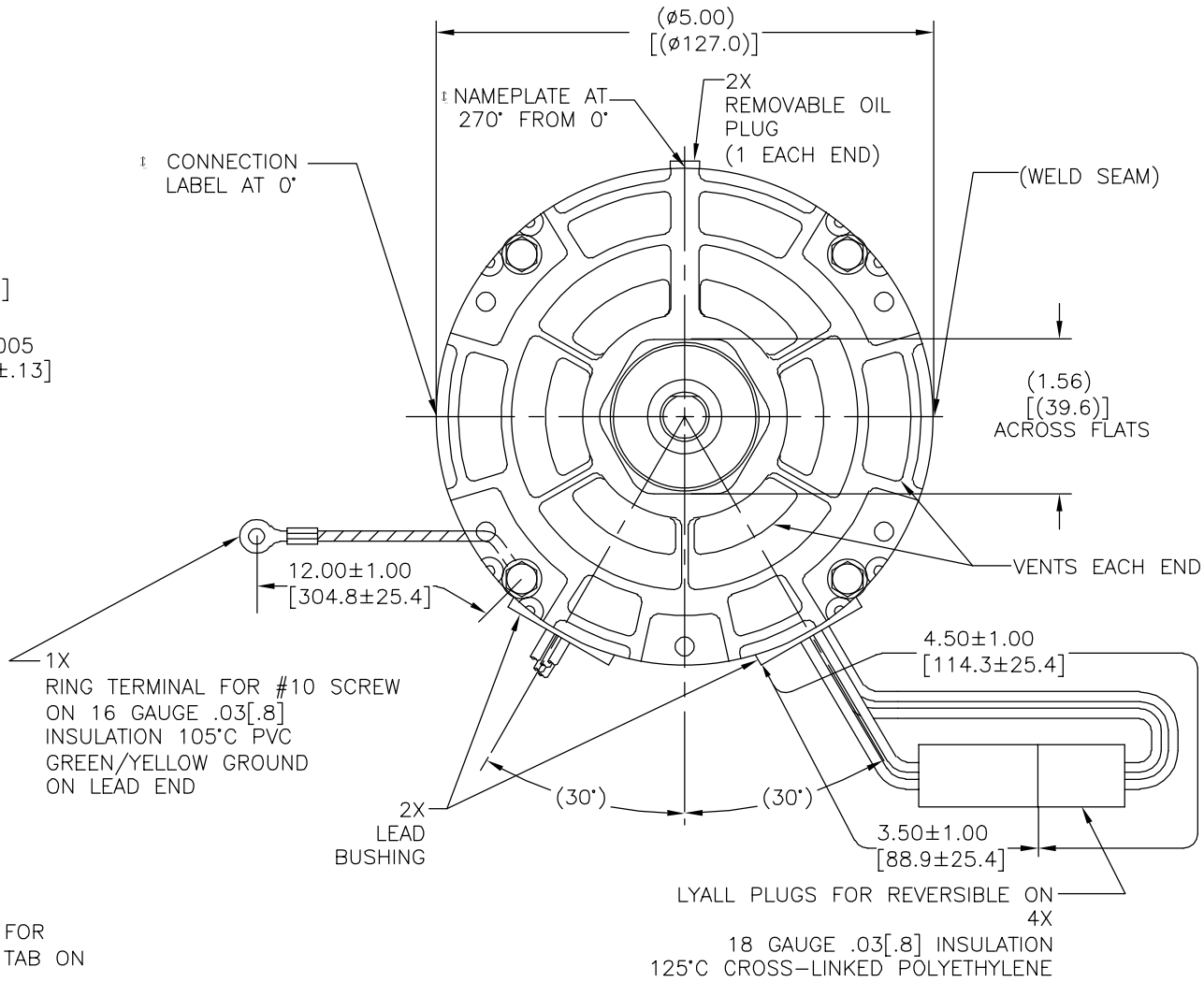
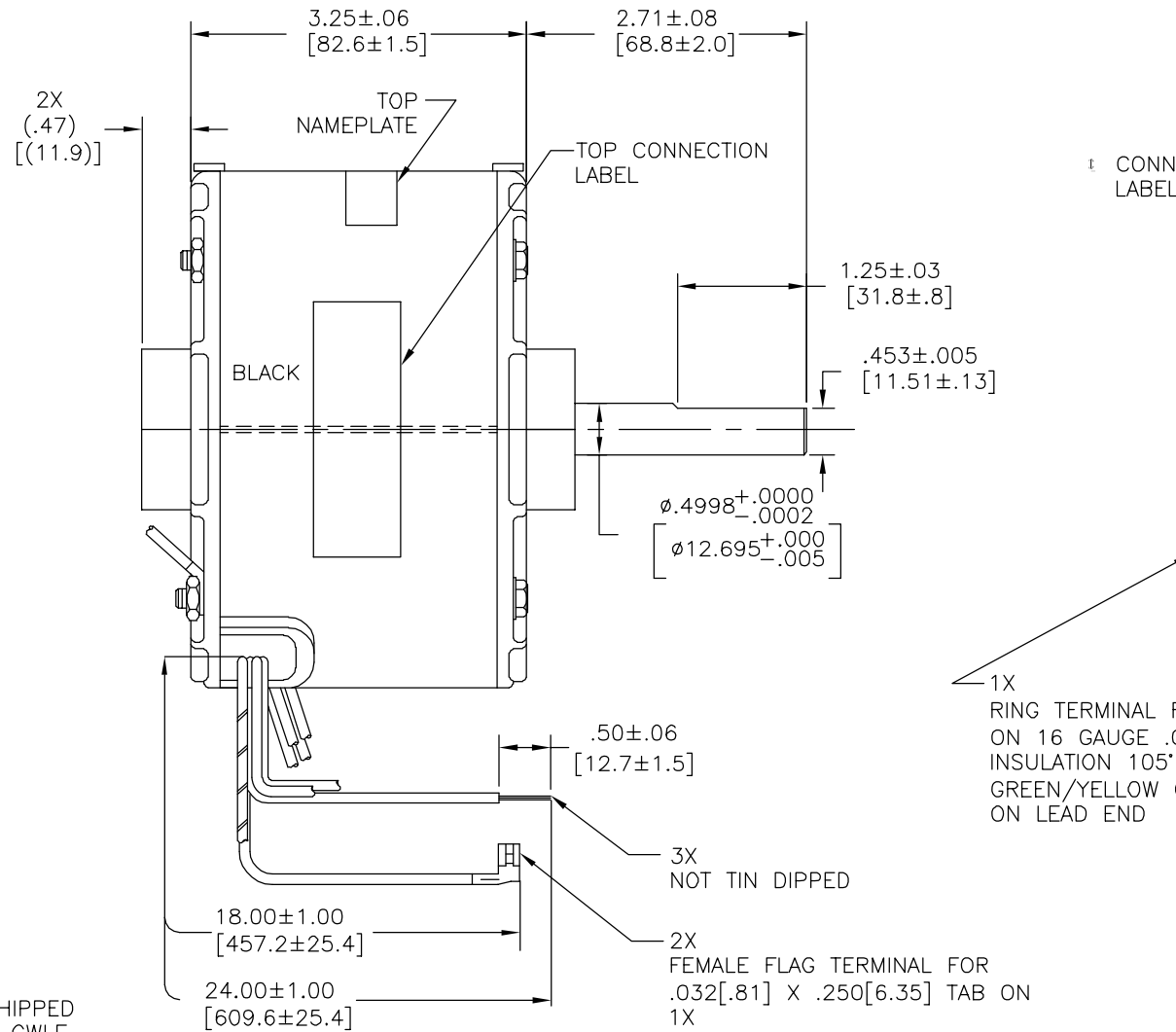
2

1

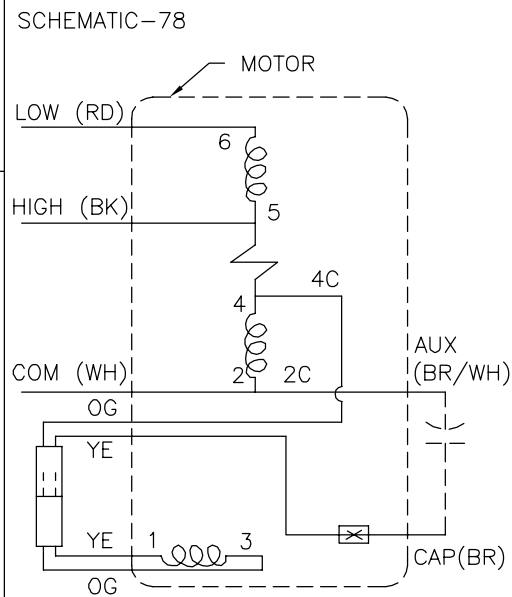
CUSTOMER IS SOLELY RESPONSIBLE FOR MOTOR PERFORMANCE AND SUITABILITY IN APPLICATIONS FOR CUSTOMER'S USES.

REV	ECO	REV BY	DATE	APPD	DATE
D	0028996	E.SINECIO	10-16-2012	G.ALVIDREZ	10-16-2012

ENDPLAY .005[.13] MINIMUM - .040[1.02] MAXIMUM
 MAXIMUM SHAFT RUN OUT .001[.03] PER INCH
 MAXIMUM RUN OUT NOT TO EXCEED .010[.25]



MOTOR TO BE SHIPPED CONNECTED FOR CWLE ROTATION



CCWLE	PLUG IN YELLOW LEAD TO ORANGE LEAD
CWLE	PLUG IN ORANGE LEAD TO ORANGE LEAD

CONNECTION LABEL 63T7432-16

ELECTRICALLY PER SAMPLE S-580E

GEOMETRIC CHARACTERISTICS & SYMBOLS
 □ FLATNESS
 - STRAIGHTNESS
 < ANGLARITY
 ⊥ PERPENDICULARITY (SQUARENESS)
 // PARALLELISM
 ○ ROUNDNESS (CIRCULARITY)
 ∅ CYLINDRICITY
 △ PROFILE OF ANY SURFACE
 ∩ PROFILE OF ANY LINE
 ↗ RUNOUT
 ⊕ TRUE POSITION
 ⊙ CONCENTRICITY
 = SYMMETRY

UNLESS OTHERWISE SPECIFIED DIM. TOLERANCES ARE AS FOLLOWS:
 INCH X XX XXX XXXX
 ±.1 ±.02 ±.005 ±.0005
 mm ±0.5 ±0.13 ±0.013
 ANG. ±.50 DEG
 REMOVE BURRS & BREAK SHARP EDGES:
 INCH .003-.015 mm 0.1-0.4
 CORNER FILLETS TO:
 INCH .020 mm 0.5
 MACHINE SURFACES:
 INCH 125 mm 3.2

DR BY: DTS 02-01-2001
 APPD:
 THIRD ANGLE PROJECTION
 EDS DATE 11-11-2011
 FORMAT REV H
 CONFIDENTIAL: THIS DRAWING AND ITS INFORMATION ARE THE EXCLUSIVE AND CONFIDENTIAL PROPERTY OF REGAL-BELOIT CORPORATION AND ARE NOT TO BE DISCLOSED, DUPLICATED, DISTRIBUTED OR OTHERWISE USED WITHOUT THE WRITTEN CONSENT OF REGAL-BELOIT CORPORATION. -ALL RIGHTS RESERVED.

ROT: REVERSIBLE

NAMEPLATE DATA:

Century Tipp City, OH THERMALLY PROTECTED

SER. DATE & PO# PLT LTR MOD DE3C001N STK. NO. 485
 VOLTS 115 HZ 60 AMPS .94
 RPM 1050 SP PH 1 CAP 4MFD 370VAC
 INS CL AMB °C HP 1/20 CONT A.O. ← REV →
 BRG SLV ASSEMBLED IN MEXICO
 BK-HI .94A 1/20HP
 RD-LOW .54A 1/35HP
 WH-COM
 BR & BR/WH-CAP

REGAL REGAL-BELOIT CORPORATION	
DESCRIPTION MODEL-RFHP-42FR OUTLINE	
SIZE C	DWG NO DE3C7001
SCALE NONE	SHEET 1

4

3

2

1

4

3

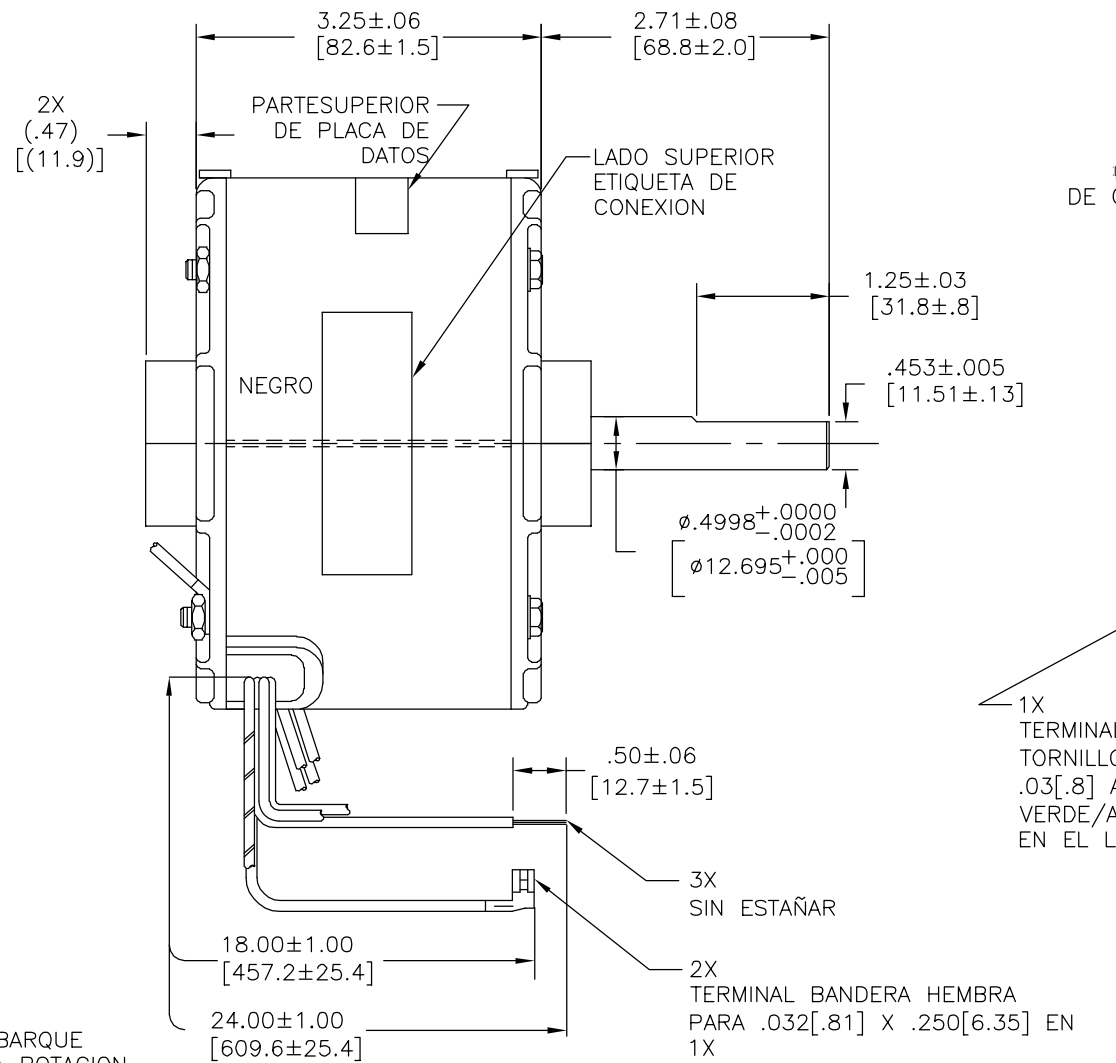
2

1

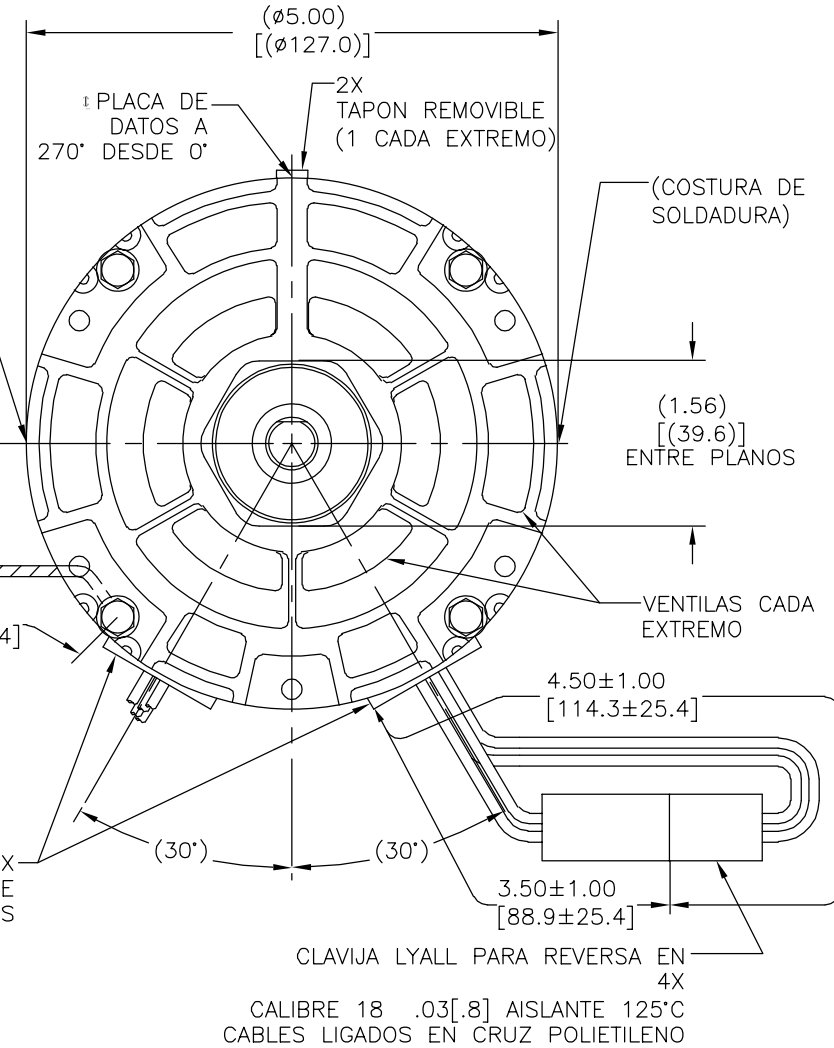
EL CLIENTE ES RESPONSABLE POR EL DESEMPEÑO DEL MOTOR Y APLICACIONES
CONVENIENTE POR LOS USOS DEL CLIENTE.

REVISION:	ECO	REVISADO POR:	FECHA:	APROBADO POR:	FECHA:
D	0028996	E.SINECIO	10-16-2012	G.ALVIDREZ	10-16-2012

JUEGO AXIAL .005[.13] MINIMUM - .040[1.02] MAXIMUM
MAXIMA OSCILACION DE FLECHA .001[.03] POR PULGADA
MAXIMA OSCILACION DE FLECHA NO EXCEDERA DE .010[.25]

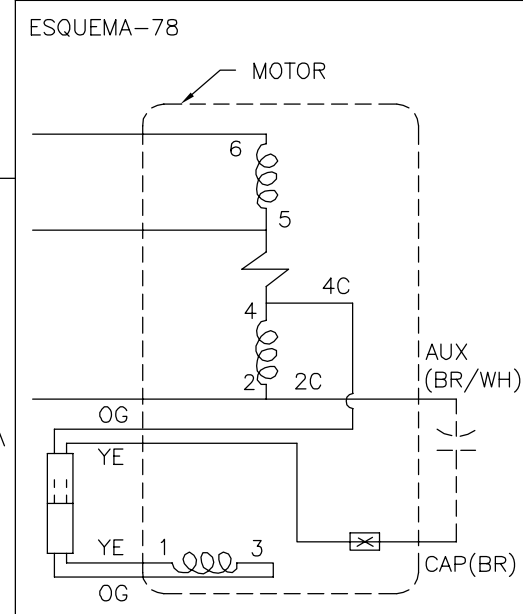


± DE ETIQUETA DE CONEXION A 0°



1X TERMINAL DE ARO PARA TORNILLO #10 EN CALIBRE 16 .03[.8] AISLANTE 105°C PVC VERDE/AMARILLO A TIERRA EN EL LADO DE CABLES

MOTOR PARA EMBARQUE CONECTADO PARA ROTACION CWLE



CCWLE	CONECTAR CABLE AMARILLO A CABLE NARANJA
CWLE	CONECTAR CABLE NARANJA A CABLE NARANJA

ETIQUETA DE CONEXION 63T7432-16

ELECTRICAMENTE POR MUESTRA S-580E

CARACTERISTICAS DE GEOMETRIA Y SIMBOLOS

- PLANICIDAD
- RECTITUD
- ∠ ANGULARIDAD
- ⊥ PERPENDICULARIDAD (A ESCUADRA)
- // PARALELISMO
- REDONDEZ (CIRCULARIDAD)
- ∅ CILINDRICIDAD
- △ PERFIL DE CUALQUIER SUPERFICIE
- ∇ PERFIL DE CUALQUIER LINEA
- ∠ VARIACION
- ⊕ POSICION REAL
- ⊙ CONCENTRICIDAD
- = SIMETRIA

ASME Y14.5M 1994

A MENOS QUE SE ESPECIFIQUE DE OTRA MANERA, LAS TOLERANCIAS DE LAS DIMS; SON LAS SIGUIENTES:

PULG ±.1 ±.02 ±.005 ±.0005

mm ±0.5 ±0.13 ±0.013

ANG. ±50 GRADOS

ELIMINAR REBABAS Y ORILLAS FILOSAS DEL BORDE.

PULG .003-.015 mm 0.1-0.4

FILETEAR ESQUINA: PULG .020 mm 0.5

MAQUINAR SUPERFICIES

PULG 125 mm 3.2

DIMS METRICAS MOSTRADAS [PARENTESIS]

DIBUJADO POR: DTS

02-01-2001

APROBADO POR:

TERCER ANGULO DE PROYECCION

FECHA EDS: 11-11-2011

REV. FORMATO: H

CONFIDENCIAL: ESTE DIBUJO Y SU INFORMACION SON PROPIEDAD DE USO EXCLUSIVO Y CONFIDENCIAL DE REGAL-BELOIT CORPORATION. Y NO DEBERAN SER REVELADOS, DUPLICADOS, DISTRIBUIDOS O USARSE DE OTRA MANERA SIN EL CONSENTIMIENTO ESCRITO DE REGAL-BELOIT CORPORATION. -TODOS LOS DERECHOS RESERVADOS.

ROT: REVERSIBLE

INFORMACION DE PLACA DE DATOS:

Century Tipp City, OH THERMALLY PROTECTED

SER. DATE & PO# PLT LTR MOD DE3C001N STK. NO. 485

VOLTS 115 HZ 60 AMPS .94

RPM 1050 SP PH 1 CAP 4MFD 370VAC

INS CL AMB °C HP 1/20 CONT A.O. ← REV →

BRG SLV ASSEMBLED IN MEXICO

BK-HI .94A 1/20HP

RD-LOW .54A 1/35HP

WH-COM

BR & BR/WH-CAP

REGAL REGAL-BELOIT CORPORATION

DESCRIPCION: MODEL-RFHP-42FR OUTLINE

TAMAÑO: C NUMERO DE DIBUJO: DE3C7001

ESCALA: NONE HOJA: 1

4

3

2

1

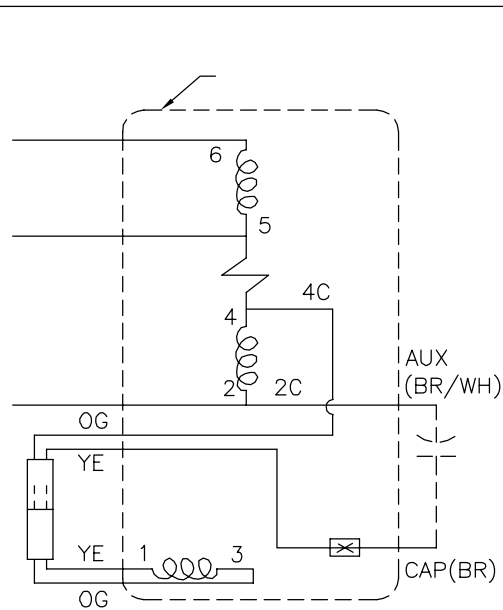
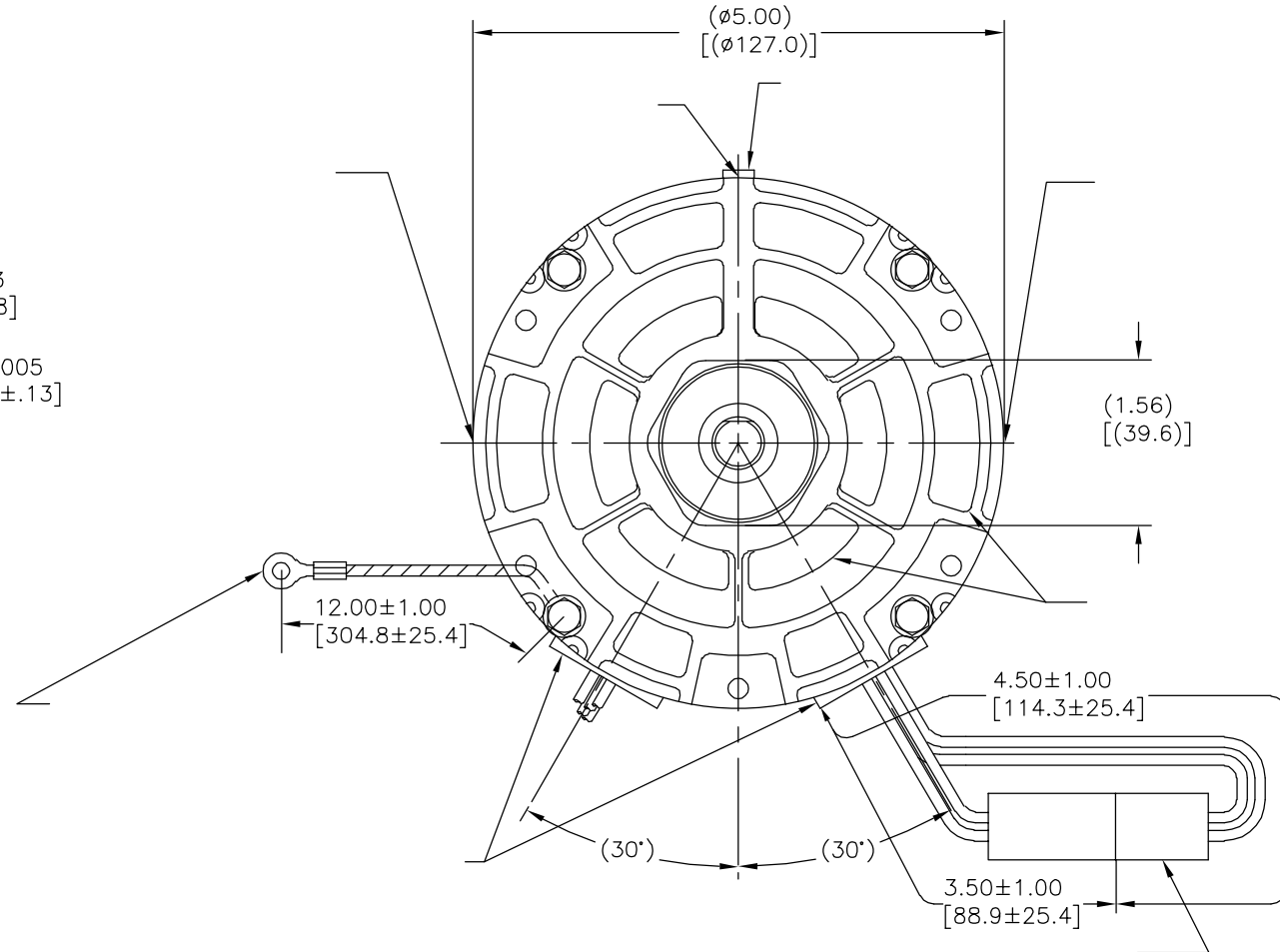
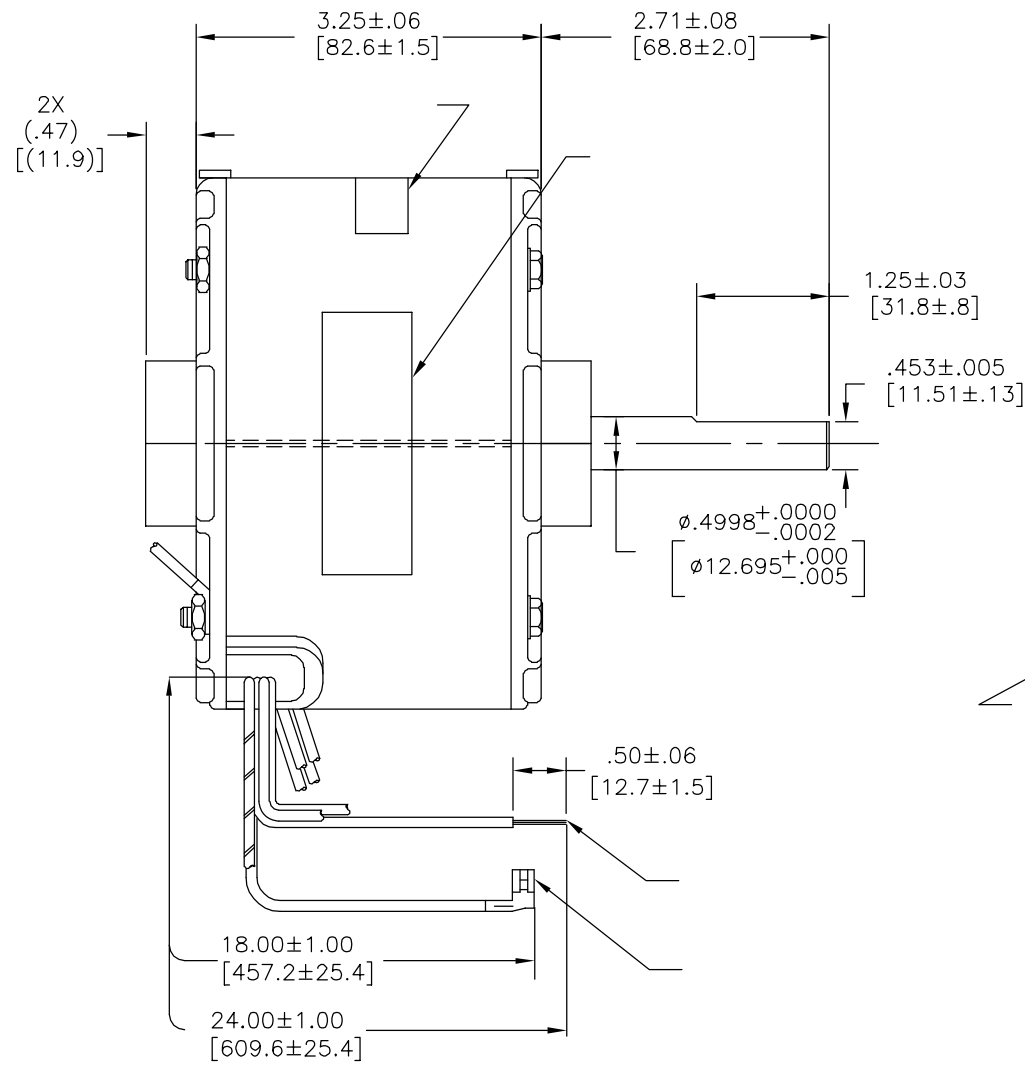
4

3

2

1

版本	ECO	编制	日期	批准	日期
D	0028996	E.SINECIO	10-16-2012	G.ALVIDREZ	10-16-2012



CCWLE	
CWLE	

形位公差
 □ 平面度
 — 直线度
 \sphericalangle 倾斜度
 ⊥ 垂直度
 // 平行度
 ○ 圆度
 ⊙ 圆柱度
 △ 面轮廓度
 ⊖ 线轮廓度
 ⤴ 圆跳动
 ⊕ 位置度
 ⊗ 同轴度
 ≡ 对称度

除另有注明
 尺寸公差如下:
 英寸 X XX XXX XXXX
 毫米 ±.1 ±.02 ±.005 ±.0005
 毫米 ±0.5 ±0.13 ±0.013
 角度 ±.50 度
 清理毛刺和尖棱
 英寸 .003-.015 毫米 0.1-0.4
 内圆角
 英寸 .020 毫米 0.5
 表面粗糙度
 英制 125 米制 3.2
 米制尺寸显示在L

ASME Y14.5M 1994

ROT: REVERSIBLE



Tipp City, OH
 THERMALLY PROTECTED



SER. DATE & PO# PLT LTR MOD DE3C001N STK. NO. 485
 VOLTS 115 HZ 60 AMPS .94
 RPM 1050 SP PH 1 CAP 4MFD 370VAC
 INS CL AMB °C HP 1/20 CONT A.O. ← REV →
 BRG SLV ASSEMBLED IN MEXICO
 BK-HI .94A 1/20HP
 RD-LOW .54A 1/35HP
 WH-COM
 BR & BR/WH-CAP



REGAL-BELOIT CORPORATION

绘图: DTS

02-01-2001

批准:

第三角投影



图纸格式发布日期 11-11-2011
 图纸格式版本 H

机密: 本图纸及相关信息所有权归REGAL-BELOIT CORPORATION
 未经REGAL-BELOIT CORPORATION书面授权, 不得泄露、
 复制、传播或作其他用途。—版权所有

名称

MODEL-RFHP-42FR
 OUTLINE

图幅

C

图号

DE3C7001

比例

NONE

页号

1

4

3

2

1