

# PRODUCT INFORMATION PACKET



Model No: 452A  
Catalog No: 452A  
Fan Coil & Air Conditioner Motor, 1/20 HP, 1 Ph, 60 Hz, 115 V, 1075 RPM, 4 Speed, 42 Frame,  
SEMI ENCL



Regal and Century are trademarks of Regal Rexnord Corporation or one of its affiliated companies.  
©2023 Regal Rexnord Corporation, All Rights Reserved. MC017097E





**Nameplate Specifications**

Phase	1	Output HP	1/20 Hp
Output KW	0.04 kW	Voltage	115 V
Speed	1075 rpm	Service Factor	1
Frame	42Y	Enclosure	Semi Enclosed
Thermal Protection	Automatic	Ambient Temperature	40 °C
Frequency	60 Hz	Current	0.8 A
Duty	Continuous Air Over	Insulation Class	B
UL	Recognized	CSA	Y
CE	N	Number of Speeds	4

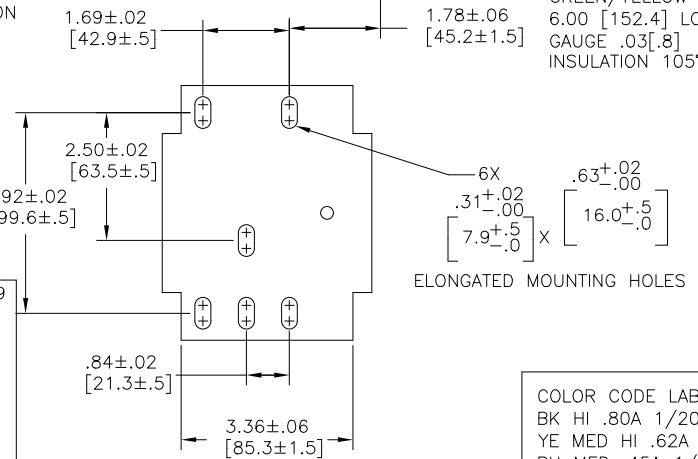
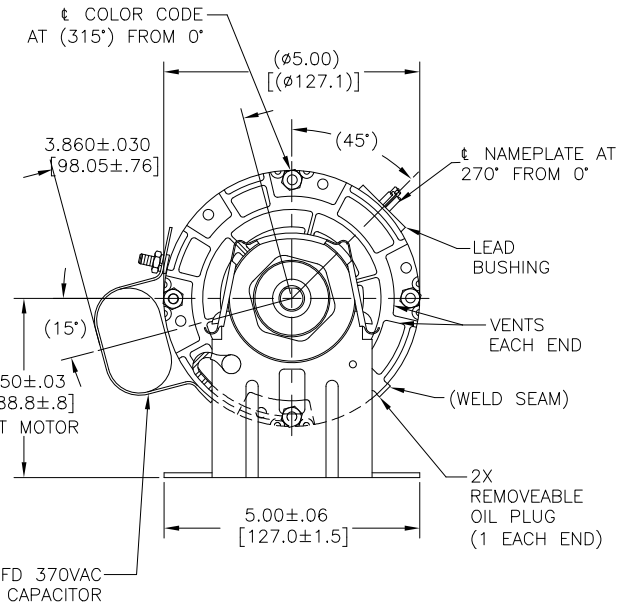
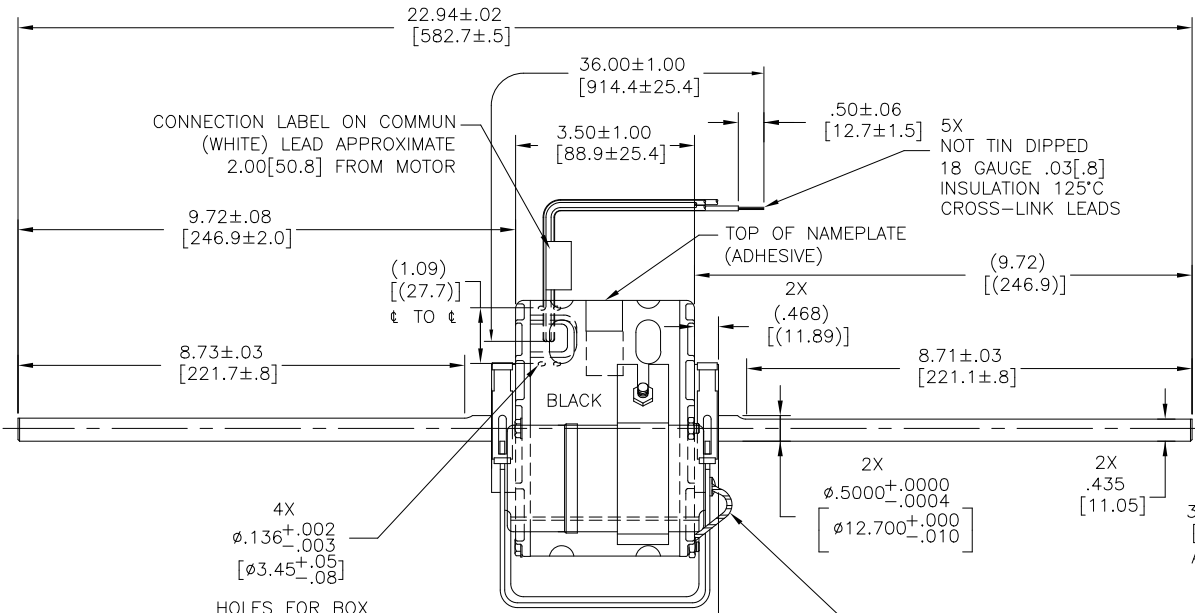
**Technical Specifications**

Electrical Type	Permanent Split Capacitor	Starting Method	Across The Line
Poles	4	Rotation	Clockwise Lead End
Mounting	Resilient Base	Motor Orientation	Horizontal
Drive End Bearing	Sleeve	Opp Drive End Bearing	Sleeve
Frame Material	Rolled Steel	Shaft Type	Flat
Overall Length	22.90 in	Frame Length	2.92 in
Shaft Diameter	0.500 in	Shaft Extension	9.7X.5X9.7 in
Outline Drawing	452A-S01		

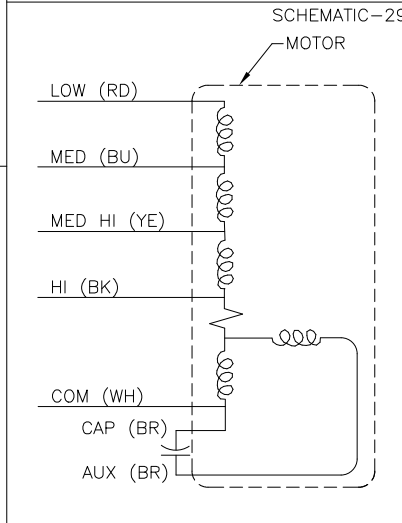
This is an uncontrolled document once printed or downloaded and is subject to change without notice. Date Created:04/24/2023

CUSTOMER IS SOLELY RESPONSIBLE FOR MOTOR PERFORMANCE AND SUITABILITY IN APPLICATIONS FOR CUSTOMER'S USES

END PLAY .005[.13] MINIMUM - .040[1.02] MAXIMUM  
MAXIMUM SHAFT RUN OUT .001[.03] PER INCH  
MAXIMUM RUN OUT NOT TO EXCEED .010[.25]



NOTE:  
DISTRIBUTION: CUSTOMER PART NUMBER: 452A  
GRAINGER: CUSTOMER PART NUMBER: 4UU15



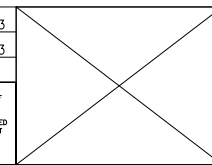
ELECTRICALLY PER SAMPLE S-8196D CURVE #32305

COLOR CODE LABEL: 63T7452-4  
BK HI .80A 1/20HP  
YE MED HI .62A 1/25HP  
BU MED .45A 1/35HP  
RD LO .38A 1/50HP  
WH COM

ROT: CWLE  
NAMEPLATE DATA:  
**Century** Tipp City, OH  
THERMALLY PROTECTED  
SER. DATE & PO# PLT LTR MOD DE3D481N'  
VOLTS 115 HZ 60 AMPS .80  
RPM 1075 SP 4 PH1 CAP 6MFD 370VAC  
INS CL B AMB 40°C HP 1/20 CONT A.O. ROTATION →  
BRG SLV ASSEMBLED IN MEXICO

CONNECTION LABEL 63T7433-265

DRAWING REVISION	REVISION BY	DATE
ECO	J. RUPERT	03-02-2023
ECO DESCRIPTION	APPROVED BY	DATE
ADDED 4 SP TO NAMEPLATE DATA	J. RUPERT	03-02-2023
<small>COPYRIGHT REGAL BELOIT AMERICA, INC. ALL RIGHTS RESERVED. PROPRIETARY AND CONFIDENTIAL INFORMATION - THIS DOCUMENT IS THE PROPERTY OF REGAL BELOIT AMERICA, INC. (OWNER) AND COMPANY'S PROPRIETARY INFORMATION. ANY PERSON, CORPORATION OR OTHER ENTITY, DUPLICATED, AND/OR USED, EXCEPT BY RECEIVING IT TO AGREE THAT IT, AND/OR ANY PART OF IT, SHALL NOT BE DISCLOSED TO ANY PERSON, CORPORATION OR OTHER ENTITY, DUPLICATED, AND/OR USED, EXCEPT AS EXPRESSLY APPROVED IN WRITING IN ADVANCE BY OWNER. THIS DOCUMENT SHALL BE RETURNED TO OWNER UPON REQUEST. IT MAY BE SUBJECT TO CERTAIN RESTRICTIONS UNDER APPLICABLE EXPORT CONTROL LAWS AND REGULATIONS.</small>		



DRAWN BY:  
AS  
DATE: 06-22-2011  
APPROVED BY:  
BS  
DATE: 06-22-2011  
REFERENCE

<b>REGAL</b> Regal Beloit America, Inc.	
DESCRIPTION	MODEL-RFHP-42FR OUTLINE
MATERIAL	PROCESS/FINISH
SIZE	DWG NO 452A
THIRD ANGLE PROJECTION	SHEET 1