

PRODUCT INFORMATION PACKET



Model No: 305
Catalog No: 305

Ventilation Motor, 1/40-1/65 HP, 1 Ph, 60 Hz, 115 V, 1050 RPM, 2 Speed, 4.4" Diameter, OAO



Regal and Century are trademarks of Regal Rexnord Corporation or one of its affiliated companies.
©2022 Regal Rexnord Corporation, All Rights Reserved. MC017097E





Nameplate Specifications

Output HP	1/40-1/65 Hp	Output KW	0.02 kW
Frequency	60 Hz	Voltage	115 V
Current	1.1/70 A	Speed	1050 rpm
Service Factor	1	Phase	1
Duty	Continuous Air Over	Insulation Class	A
Frame	4.4	Enclosure	Open Air Over
Thermal Protection	Automatic	Ambient Temperature	40 °C
UL	Recognized	CSA	N
CE	Y	Number of Speeds	2

Technical Specifications

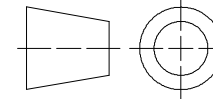
Electrical Type	Shaded Pole	Starting Method	Across The Line
Poles	6	Rotation	Clockwise Shaft End
Mounting	Extended Studs	Motor Orientation	Horizontal
Drive End Bearing	Sleeve	Opp Drive End Bearing	Sleeve
Frame Material	Rolled Steel	Shaft Type	Flat
Overall Length	6.04 in	Shaft Diameter	0.312 in
Shaft Extension	5/16 X 2 1/2 in		
Outline Drawing	CA3G080-S01		

This is an uncontrolled document once printed or downloaded and is subject to change without notice. Date Created:11/28/2022



PROPRIETARY INFORMATION NOTICE: THIS DOCUMENT IS AND CONTAINS CONFIDENTIAL TRADE SECRET INFORMATION OF THE COMPANY AND REMAINS THE PROPERTY OF THE COMPANY AND IS TO BE RETURNED UPON REQUEST. NEITHER IT NOR THE INFORMATION IT CONTAINS MAY BE REPRODUCED OR DISCLOSED TO PERSONS NOT HAVING A NEED-TO-KNOW CONSISTENT WITH THE PURPOSE OF THE LOAN OF THE DOCUMENT.

THIRD ANGLE PROJECTION



CA3G080N#

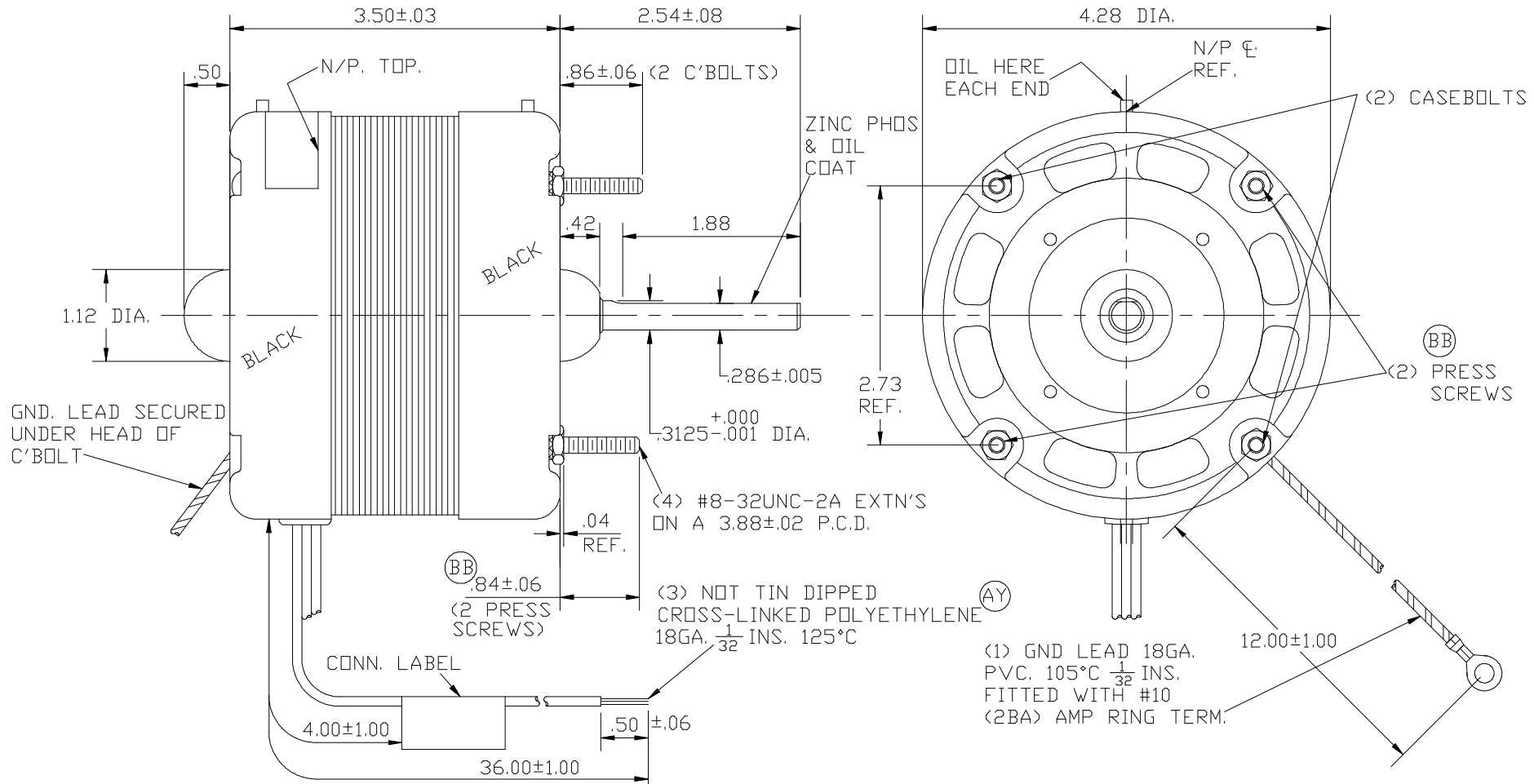
STOCK NO.: 305

Gainsborough, Lincs DN21 1XU. UK
Tel.: +44(0)1427 614141 Fax.: +44(0)1427 617513

CUSTOMER IS SOLELY RESPONSIBLE FOR MOTOR PERFORMANCE AND SUITABILITY IN APPLICATIONS FOR CUSTOMER'S USES.

ENDPLAY .04 MAX.

TOL. ±.015



ALL DIMENSIONS IN INCHES UNLESS STATED.

ELEC. AS SAMPLE P03173/6291

ROTATION CCWLE-CWSE

ISSUE 'BD' 12 JUL 12

REGAL - LAVERGNE

NAMEPLATE DATA:

SER DDDYYGB-sonum-G080 MOD CA3G080N# STOCK No 305
 115V 60HZ 1.1A 1050RPM 1PH CONT A.O.
 BK-HIGH 1.1A 1/40HP. RD-LOW 0.7A 1/65HP. WH-COM
 THERMALLY PROTECTED. MADE IN UK. WARRANTY VOID IF REMOVED

SCHEMATIC

