

PRODUCT INFORMATION PACKET



Model No: SV2054BV2L
Catalog No: SV2054BV2L
Refrigeration Motor, 1/2-1/4 HP, 1 Ph, 60 Hz, 115 V, 1800 RPM, 56Z Frame, OPEN



Regal and Century are trademarks of Regal Rexnord Corporation or one of its affiliated companies.
©2022 Regal Rexnord Corporation, All Rights Reserved. MC017097E





Nameplate Specifications

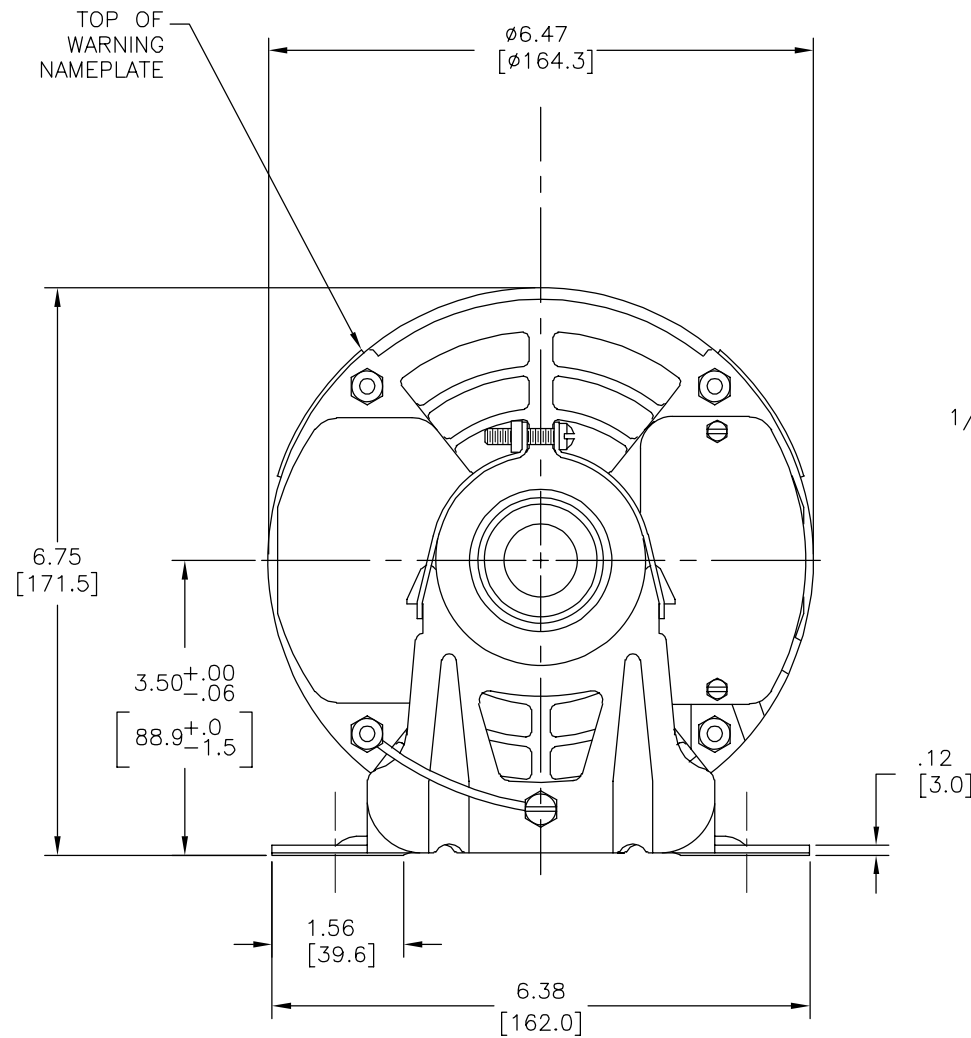
| | | | |
|--------------------|------------|---------------------|---------------|
| Output HP | 1/2-1/4 Hp | Output KW | 0.37 kW |
| Frequency | 60 Hz | Voltage | 115 V |
| Current | 8.0/6.0 A | Speed | 1725/1140 rpm |
| Service Factor | 1 | Phase | 1 |
| Duty | Continuous | Insulation Class | B |
| Frame | 56Z | Enclosure | Open Enclosed |
| Thermal Protection | Automatic | Ambient Temperature | 40 °C |
| UL | No | CSA | Y |
| CE | N | Number of Speeds | 2 |

Technical Specifications

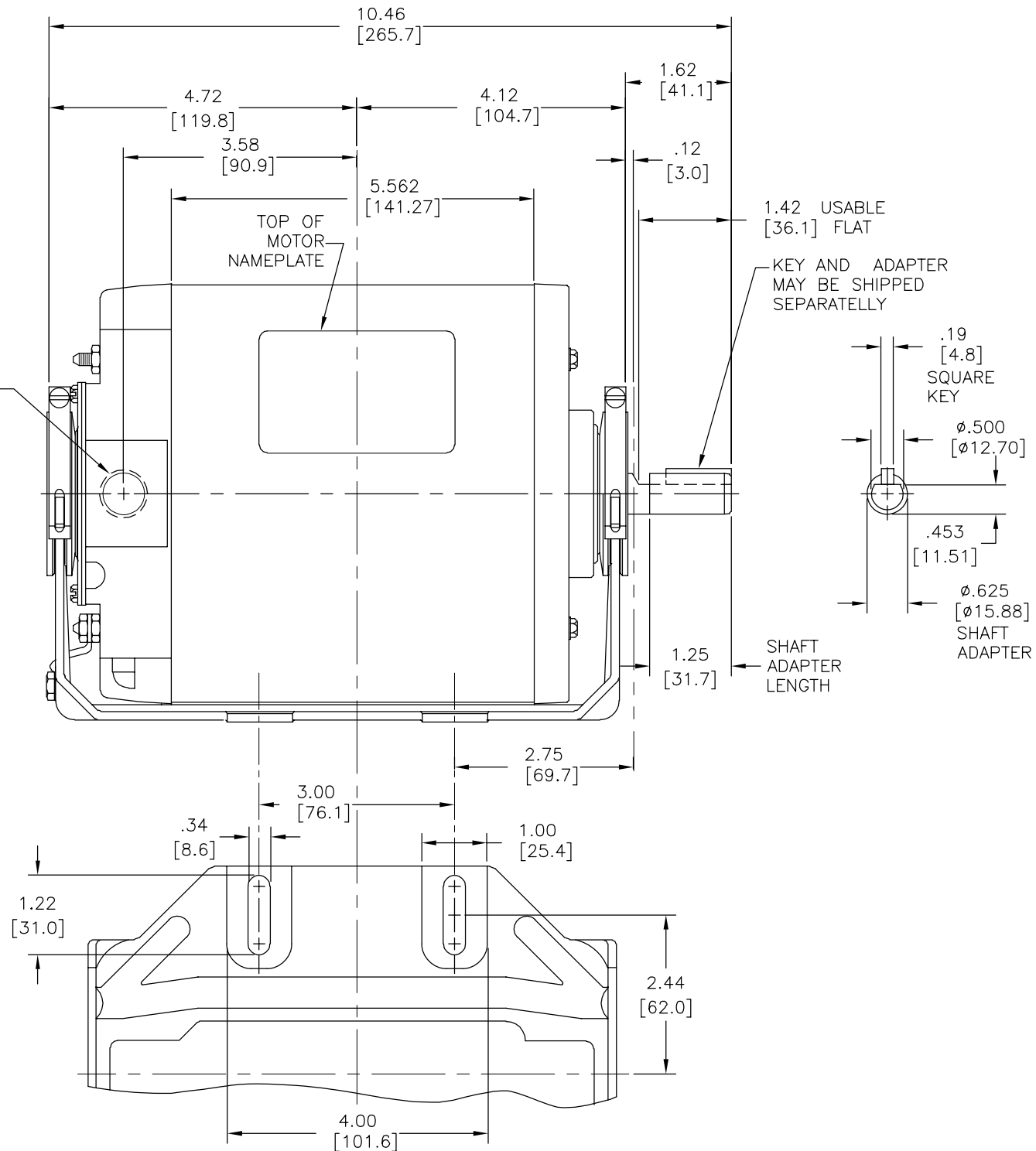
| | | | |
|-----------------------|----------------|-------------------|-----------------|
| Electrical Type | Split Phase | Starting Method | Across The Line |
| Poles | 4/6 | Rotation | Reversible |
| Mounting | Resilient Base | Drive End Bearing | Sleeve |
| Opp Drive End Bearing | Sleeve | Frame Material | Rolled Steel |
| Shaft Type | Flat | Overall Length | 10.46 in |
| Frame Length | 5.69 in | Shaft Diameter | 0.625 in |
| Shaft Extension | 1.50 in | | |
| Connection Drawing | 620005-100A | Outline Drawing | SV2054BV2L-S01 |

This is an uncontrolled document once printed or downloaded and is subject to change without notice. Date Created:11/28/2022

| | | | | | |
|-----|---------|-----------|------------|---------------|------------|
| REV | ECO | REV BY | DATE | APPD | DATE |
| B | 0025386 | L. BERNAL | 04-13-2012 | D. BALDERRAMA | 04-13-2012 |



1/2-14 PIPE TAP FOR CONDUIT CONNECTION (PLUGGED)



GEOMETRIC CHARACTERISTICS & SYMBOLS

- FLATNESS
- STRAIGHTNESS
- ∠ ANGULARITY
- ⊥ PERPENDICULARITY (SQUARENESS)
- // PARALLELISM
- ROUNDNESS (CIRCULARITY)
- ⊘ CYLINDRICITY
- △ PROFILE OF ANY SURFACE
- ∩ PROFILE OF ANY LINE
- ↗ RUNOUT
- ⊕ TRUE POSITION
- ◎ CONCENTRICITY
- ≡ SYMMETRY

ASME Y14.5M 1994

UNLESS OTHERWISE SPECIFIED DIM. TOLERANCES ARE AS FOLLOWS:

| | | | | |
|------|------|-------|--------|--------|
| INCH | ±.1 | ±.02 | ±.005 | ±.0005 |
| mm | ±0.5 | ±0.13 | ±0.013 | |

ANG. ±.50 DEG
REMOVE BURRS & BREAK SHARP EDGES:
INCH .003-.015 mm 0.1-0.4
CORNER FILLETS TO:
INCH .020 mm 0.5
MACHINE SURFACES:
INCH 125 mm 3.2

METRIC DIMS. SHOWN IN [BRACKETS]

DR BY: TREYES 04-24-2009

APPD: S.BOWLING 04-24-2009

THIRD ANGLE PROJECTION

EDS DATE 11-11-2011
FORMAT REV G

CONFIDENTIAL: THIS DRAWING AND ITS INFORMATION ARE THE EXCLUSIVE AND CONFIDENTIAL PROPERTY OF REGAL-BELOIT CORPORATION AND ARE NOT TO BE DISCLOSED, DUPLICATED, DISTRIBUTED OR OTHERWISE USED WITHOUT THE WRITTEN CONSENT OF REGAL-BELOIT CORPORATION. -ALL RIGHTS RESERVED.

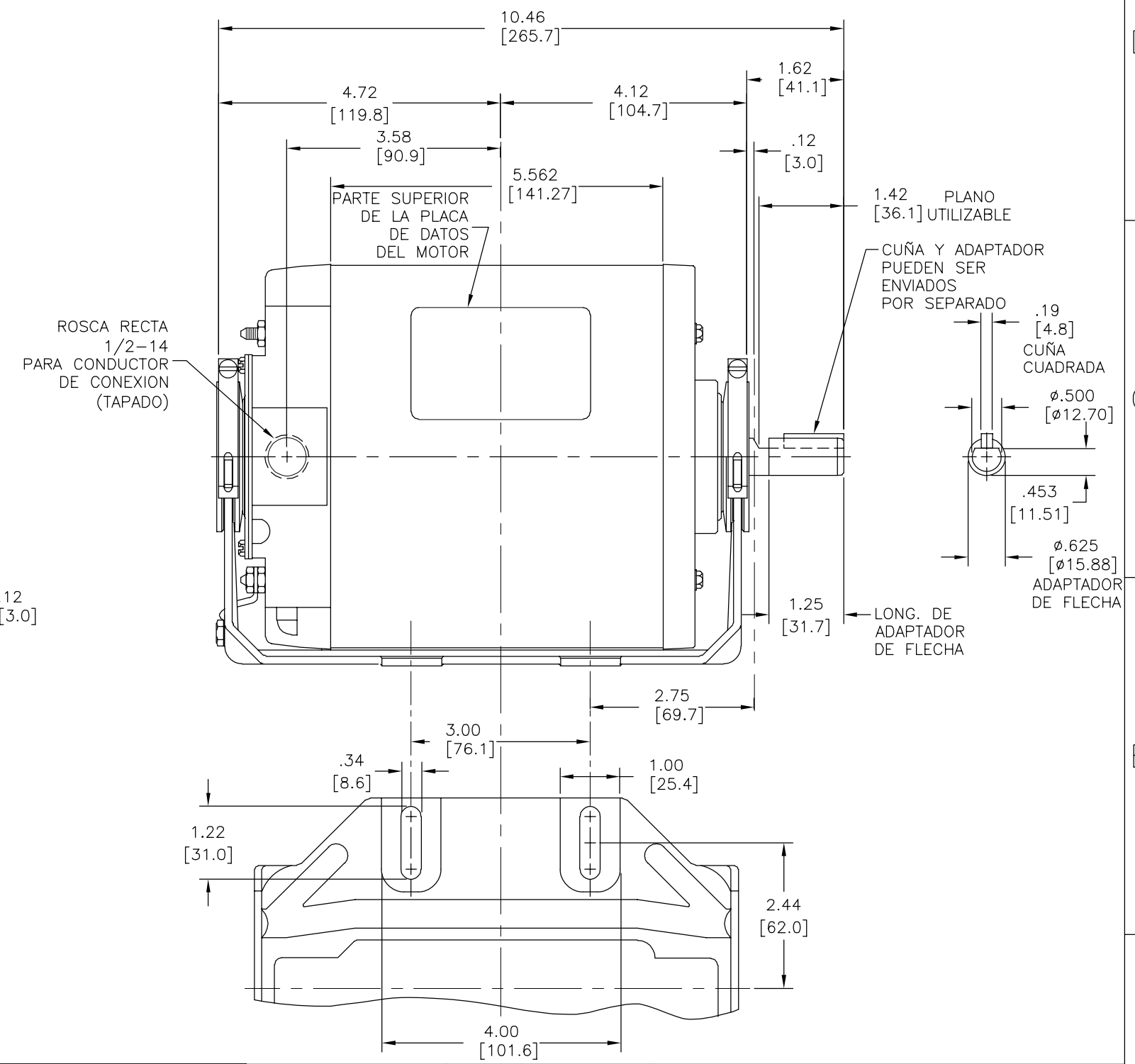
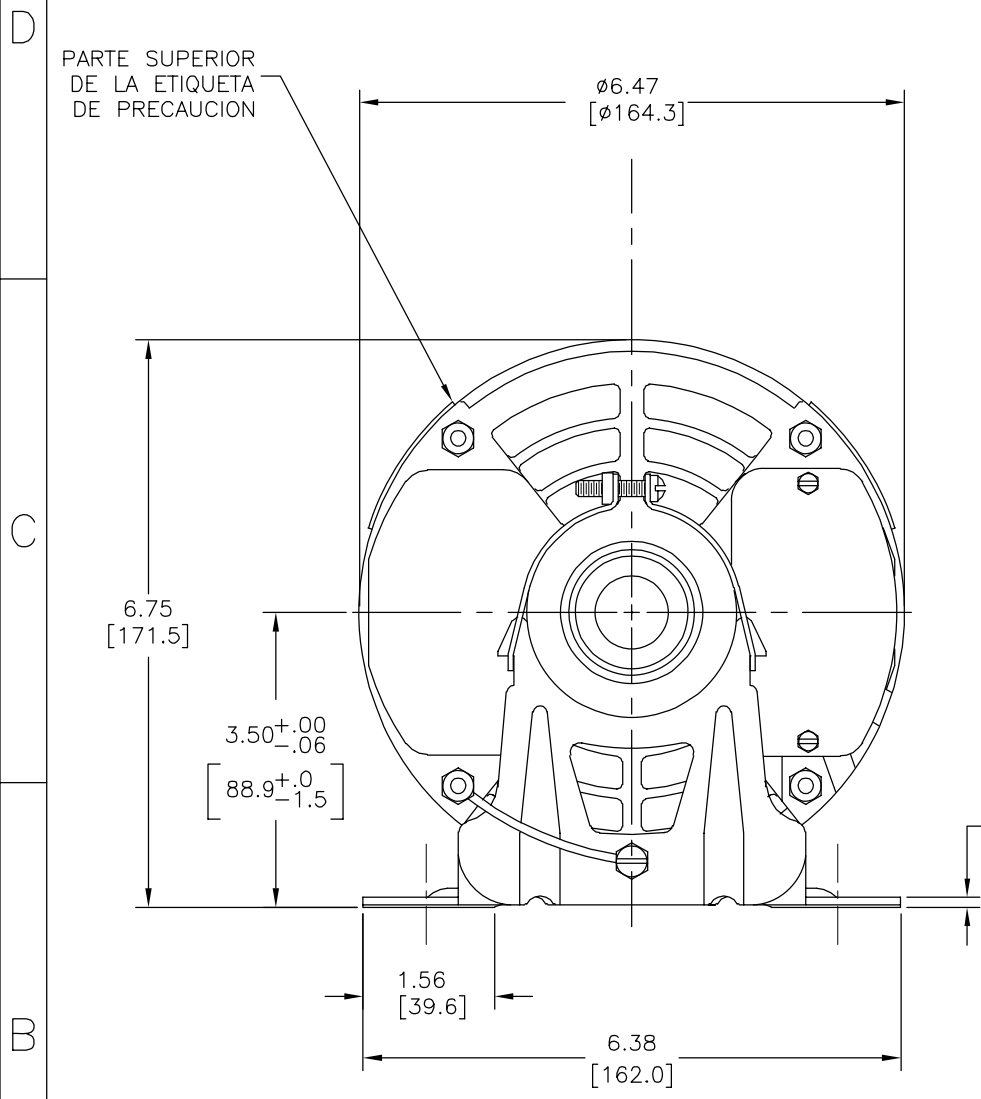
REGAL-BELOIT CORPORATION

DESCRIPTION: OUTLINE

SIZE: C DWG NO: SV2054BV2L

SCALE: NONE SHEET: 1

| | | | | | |
|-----------|---------|---------------|------------|---------------|------------|
| REVISION: | ECO | REVISADO POR: | FECHA: | APROBADO POR: | FECHA: |
| B | 0025386 | L. BERNAL | 04-13-2012 | D. BALDERRAMA | 04-13-2012 |



CARACTERISTICAS DE GEOMETRIA Y SIMBOLOS

- PLANICIDAD
- RECTITUD
- ∠ ANGULARIDAD
- ⊥ PERPENDICULARIDAD (A ESCUADRA)
- // PARALELISMO
- REDONDEZ (CIRCULARIDAD)
- ∅ CILINDRICIDAD
- △ PERFIL DE CUALQUIER SUPERFICIE
- ∧ PERFIL DE CUALQUIER LINEA
- ∧ VARIACION
- ⊕ POSICION REAL
- ◎ CONCENTRICIDAD
- = SIMETRIA

ASME Y14.5M 1994

A MENOS QUE SE ESPECIFIQUE DE OTRA MANERA, LAS TOLERANCIAS DE LAS DIMS; SON LAS SIGUIENTES:

| | | | | |
|------|------|-------|--------|--------|
| PULG | ±.1 | ±.02 | ±.005 | ±.0005 |
| mm | ±0.5 | ±0.13 | ±0.013 | |

ANG. ± 50 GRADOS

ELIMINAR REBABAS Y ORILLAS FILOSAS DEL BORDE.

| | | | |
|------|-----------|----|---------|
| PULG | .003-.015 | mm | 0.1-0.4 |
|------|-----------|----|---------|

FILETEAR ESQUINA: PULG .020 mm 0.5

MAQUINAR SUPERFICIES

PULG 125 mm 3.2

DIMS METRICAS MOSTRADAS [PARENTESIS]

DIBUJADO POR: TREYES 04-24-2009

APROBADO POR: S.BOWLING 04-24-2009

TERCER ANGULO DE PROYECCION

FECHA EDS: 11-11-2011

REV. FORMATO: G

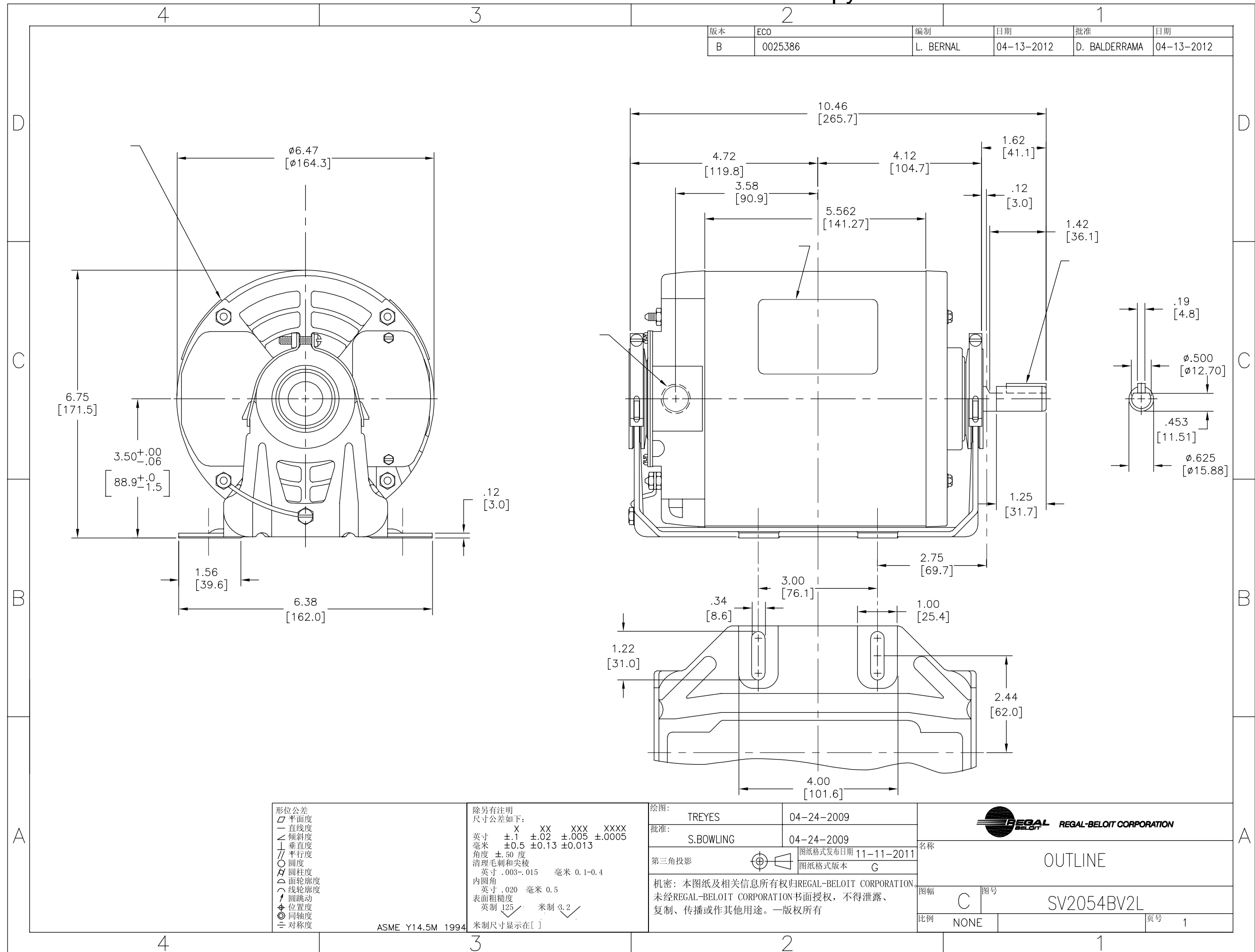
CONFIDENCIAL: ESTE DIBUJO Y SU INFORMACION SON PROPIEDAD DE USO EXCLUSIVO Y CONFIDENCIAL DE REGAL-BELOIT CORPORATION. Y NO DEBERAN SER REVELADOS, DUPLICADOS, DISTRIBUIDOS O USARSE DE OTRA MANERA SIN EL CONSENTIMIENTO ESCRITO DE REGAL-BELOIT CORPORATION. -TODOS LOS DERECHOS RESERVADOS.

REGAL-BELOIT CORPORATION

DESCRIPCION: OUTLINE

TAMAÑO: C NUMERO DE DIBUJO: SV2054BV2L

ESCALA: NONE HOJA: 1



| | | | | | |
|----|---------|-----------|------------|---------------|------------|
| 版本 | ECO | 编制 | 日期 | 批准 | 日期 |
| B | 0025386 | L. BERNAL | 04-13-2012 | D. BALDERRAMA | 04-13-2012 |

| | |
|---------|--------------------------|
| 形位公差 | 除另有注明 |
| □ 平面度 | 尺寸公差如下: |
| — 直线度 | 英寸 X XX XXX XXXX |
| ∠ 倾斜度 | 英寸 ±.1 ±.02 ±.005 ±.0005 |
| ⊥ 垂直度 | 毫米 ±0.5 ±0.13 ±0.013 |
| ∥ 平行度 | 角度 ±.50 度 |
| ○ 圆度 | 清理毛刺和尖棱 |
| ⊘ 圆柱度 | 英寸 .003-.015 毫米 0.1-0.4 |
| △ 面轮廓度 | 内圆角 |
| ∩ 线轮廓度 | 英寸 .020 毫米 0.5 |
| ↗ 表面粗糙度 | 表面粗糙度 |
| ↖ 圆跳动 | 英制 125 米制 3.2 |
| ⊕ 位置度 | 米制尺寸显示在 [] |
| ⊙ 同轴度 | |
| ≡ 对称度 | |

| | |
|------------------|-------------|
| ASME Y14.5M 1994 | 米制尺寸显示在 [] |
|------------------|-------------|

| | | |
|--|-----------|---------------------------------|
| 绘图: | TREYES | 04-24-2009 |
| 批准: | S.BOWLING | 04-24-2009 |
| 第三角投影 | ⊕ | 图纸格式发布日期 11-11-2011 图纸格式版本 G |
| 机密: 本图纸及相关信息所有权归REGAL-BELOIT CORPORATION 未经REGAL-BELOIT CORPORATION书面授权, 不得泄露、 复制、传播或作其他用途。—版权所有 | | |

| | |
|----|------------|
| | |
| 名称 | OUTLINE |
| 图幅 | C |
| 图号 | SV2054BV2L |
| 比例 | NONE |
| 页号 | 1 |