

PRODUCT INFORMATION PACKET



Model No: RF6402
Catalog No: RF6402

Refrigeration Motor, 1/10 HP, 1 Ph, 60 Hz, 115/208-230 V, 1050 RPM, 1 Speed, 42 Frame, OAO



Regal and Century are trademarks of Regal Rexnord Corporation or one of its affiliated companies.
©2023 Regal Rexnord Corporation, All Rights Reserved. MC017097E





Nameplate Specifications

Phase	1	Output HP	1/10 Hp
Output KW	0.07 kW	Voltage	115/208-230 V
Speed	1050 rpm	Service Factor	1
Frame	42Y	Enclosure	Open Air Over
Thermal Protection	Automatic	Ambient Temperature	40 °C
Frequency	60 Hz	Current	4.0/2.0 A
Duty	Air Over	Insulation Class	A
UL	No	CSA	Y
CE	N	Number of Speeds	1

Technical Specifications

Electrical Type	Shaded Pole	Starting Method	Across The Line
Poles	6	Rotation	Clockwise Lead End
Mounting	Extended Studs	Motor Orientation	Any
Drive End Bearing	Sleeve	Opp Drive End Bearing	Sleeve
Frame Material	Na	Shaft Type	Flat
Overall Length	7.17 in	Shaft Diameter	0.375 in
Shaft Extension	2.25 in		
Connection Drawing	7571A67F01	Outline Drawing	RF6402-S01

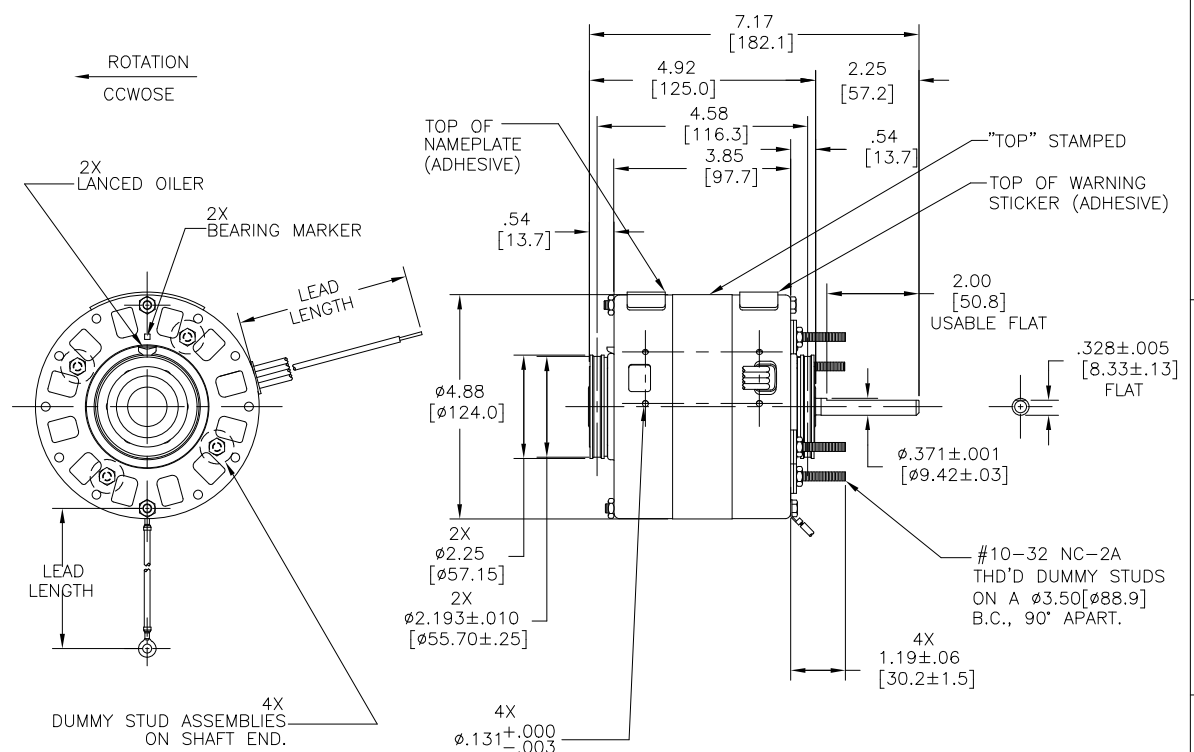
This is an uncontrolled document once printed or downloaded and is subject to change without notice. Date Created:05/31/2023

GENERAL INFORMATION:

SHAFT RUNOUT: .001 [.03] T.I.R. PER INCH LENGTH OF EXTENSION
 END PLAY: .010 [.25] TO .063 [1.60]
 BEARINGS: SLEEVE
 MOUNTING POSITION: ALL ANGLE

ELECTRICAL DATA:

OVERLOAD PROTECTOR: AUTOMATIC RESET (SENSATA 7AM 034)
 LINE LEADS: NO. 18 AWG., .06 [1.5] THK., 125°C INSUL.
 GROUND LEAD: NO. 18 AWG., .03 [.8] THK., GREEN INSUL.



- NOTE:
 1. (1) MTG. BASE
 (2) MTG. CLAMP ASSEMBLIES
 (3) SHAFT ADAPTER
 (4) MTG. RING ADAPTORS
 (4) HEX NUTS
 TO BE SHIPPED SEPARATELY IN EACH CARTON WITH MOTOR.
 2. DISTRIBUTION: CUST. P/N: RF6402

SEE NOTE 2

NAMEPLATE DATA:	EXTERNAL CONNECTION DIAGRAM
MODEL : 326P191 CUST. P/N: [] HP: 1/10 ROT.: CWLE RPM: 1050 TYPE: FE FRAME: 42Y VOLTS: 115/208-230 PH: 1 AMPS: 4.0/2.0 HZ: 60/50 INS.: A AMB: 40°C DUTY: AIR OVER CODE: - CAP.: - UL FILE NO. CSA LOGO THERMALLY PROTECTED TYPE C	

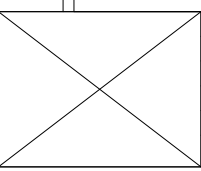
COLOR	LENGTH	TERMINAL OR STRIP LENGTH
GREEN (GRD)	11.5/12.5 [292/318]	#8 EYELET
RED	29.0/31.0 [737/787]	.50 [12.7] SKIN
BLUE	29.0/31.0 [737/787]	.50 [12.7] SKIN
BLACK	29.0/31.0 [737/787]	.50 [12.7] SKIN
PURPLE	29.0/31.0 [737/787]	.50 [12.7] SKIN

PERFORMANCE CURVE NO.	TORQUE @ 1550 RPM (25°C)	APPROVED SAMPLE	UL COMPONENT FILE #	CCN #	CSA FILE #	CLASS #
C30339	10.8 OZ-FT.	89AC116A	E27885	XEWR2	LR43341	4211-01

MAIN FR. - OLE	ENCLOSED
END FR. - OLE	OPEN
MAIN FR. - LE	ENCLOSED
END FR. - LE	OPEN

CUSTOMER	DISTRIBUTION SERVICES

DRAWING REVISION	REVISION BY	DATE
J	J. RUPERT	05-25-2023
ECO	APPROVED BY J. RUPERT	DATE 05-25-2023
ECO-0225966		
CHANGED UL FILE NUMBER		



ENCLOSURE	DESCRIPTION
W. CORTEZ	MODEL-RFHP-42FR
DATE: 05-23-2013	OUTLINE
APPROVED BY: J. DE LUNA	
DATE: 05-23-2013	
REFERENCE	MATERIAL
THIRD ANGLE PROJECTION	SIZE DWG NO
	RF6402
	SHEET 1

REGAL BELLOIT AMERICA, INC. ALL RIGHTS RESERVED. PROPRIETARY AND CONFIDENTIAL INFORMATION - THIS DOCUMENT IS THE PROPERTY OF REGAL BELLOIT AMERICA, INC. (HEREIN) AND CONTAINS OWNER'S PROPRIETARY INFORMATION. ANY PERSON, CORPORATION OR OTHER FIRM RECEIVING IT IS DEEMED BY RECEIVING IT, TO AGREE THAT IT AND/OR ANY PART OF IT, SHALL NOT BE DISCLOSED TO ANY PERSON, CORPORATION OR OTHER ENTITY, DUPLICATED, AND/OR USED, EXCEPT AS EXPRESSLY APPROVED IN WRITING IN ADVANCE BY OWNER. THIS DOCUMENT SHALL BE RETURNED TO OWNER UPON REQUEST. IT MAY BE SUBJECT TO CERTAIN RESTRICTIONS UNDER APPLICABLE EXPORT CONTROL LAWS AND REGULATIONS.