

# PRODUCT INFORMATION PACKET



Model No: RF4400  
Catalog No: RF4400

Refrigeration Motor, 1/10 HP, 1 Ph, 60 Hz, 115/208-230 V, 1550/1300 RPM, 1 Speed, 42 Frame, OPEN



Regal and Century are trademarks of Regal Rexnord Corporation or one of its affiliated companies.  
©2024 Regal Rexnord Corporation, All Rights Reserved. MC017097E





**Nameplate Specifications**

Phase	1	Output HP	1/10 Hp
Output KW	0.07 kW	Voltage	115/208-230 V
Speed	1550/1300 rpm	Service Factor	1.0
Frame	42Y	Enclosure	Open Enclosed
Thermal Protection	Automatic	Ambient Temperature	40 °C
Frequency	60 Hz	Current	4.0/2.0 A
Duty	Air Over	Insulation Class	A
UL	Recognized	CSA	Y
CE	N	Number of Speeds	1

**Technical Specifications**

Electrical Type	Shaded Pole	Starting Method	Across The Line
Poles	4	Rotation	Clockwise Lead End
Mounting	Extended Studs	Motor Orientation	Any
Drive End Bearing	Sleeve	Opp Drive End Bearing	Sleeve
Frame Material	Na	Shaft Type	Flat
Overall Length	7.17 in	Shaft Diameter	0.375 in
Shaft Extension	2.25 in		
Connection Drawing	7571A67F01	Outline Drawing	RF4400-S01

This is an uncontrolled document once printed or downloaded and is subject to change without notice. Date Created:03/12/2024

GENERAL INFORMATION:

SHAFT RUNOUT: .001[.03] T.I.R. PER INCH LENGTH OF EXTENSION

END PLAY: .010 TO .063 [.25 TO 1.60]

BEARINGS: SLEEVE

MOUNTING POSITION: ALL ANGLE

ELECTRICAL DATA:

OVERLOAD PROTECTOR: AUTOMATIC RESET (SENSATA 7AM 034)

LINE LEADS: NO. 18 AWG., .06[1.5] THK.,125°C INSUL.

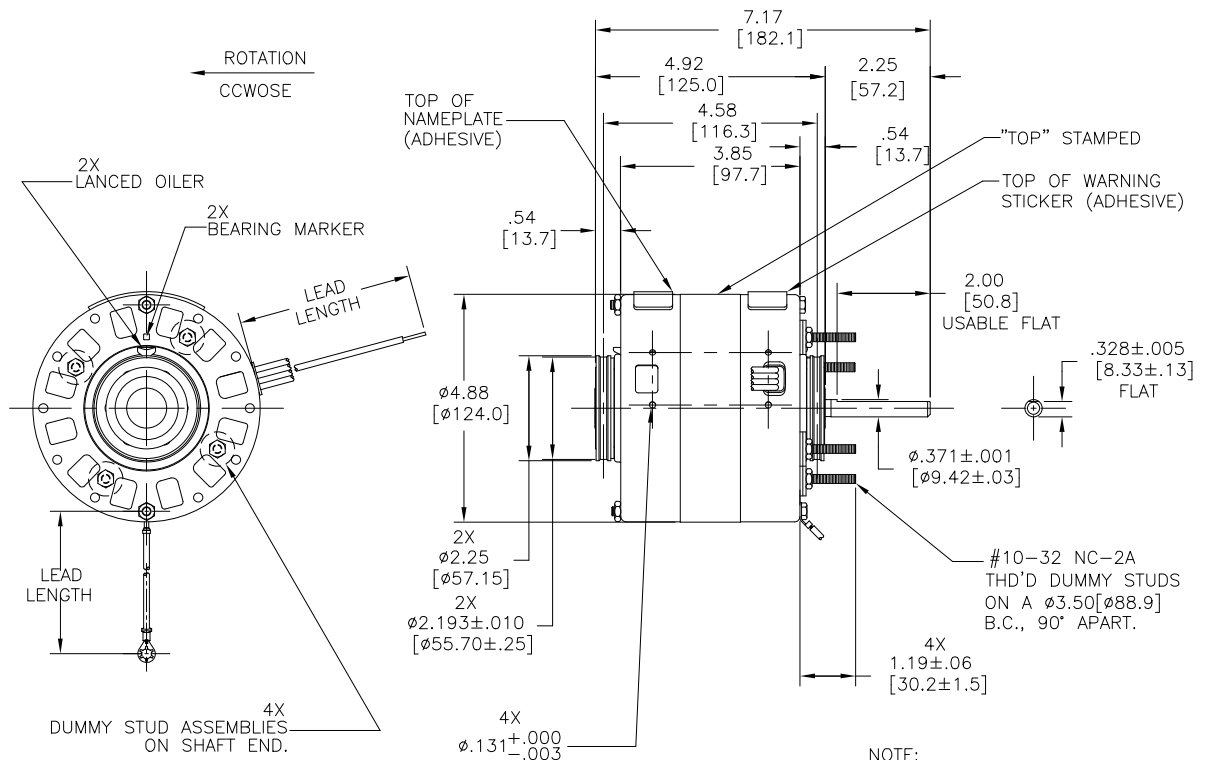
GROUND LEAD: NO. 18 AWG., .03[.8] THK.,GREEN INSUL.

NOTE: DISTRIBUTION: CUST. P/N: RF4400

SEE NOTE

NAMEPLATE DATA:	EXTERNAL CONNECTION DIAGRAM
MODEL : 326P190 CUST. P/N: [-----] HP: 1/10 ROT.: CWLE RPM: 1550/1300 TYPE: FE FRAME: 42Y VOLTS: 115/208-230 PH: 1 AMPS: 4.0/2.0 HZ: 60/50 INS.: A AMB: 40°C DUTY: AIR OVER CODE: - CAP.: - UL LOGO CSA LOGO THERMALLY PROTECTED TYPE C	

PERFORMANCE CURVE NO.	TORQUE @ 1550 RPM (25°C)	APPROVED SAMPLE	UL COMPONENT		CSA	
C30347	10.2 OZ-FT.	89AC115A	FILE #	CCN #	FILE #	CLASS #
			E27885	XEWR2	LR43341	4211-01



- NOTE:
- (1) MTG. BASE
  - MTG. CLAMP ASSEMBLIES
  - (1) SHAFT ADAPTER
  - (4) MTG. RING ADAPTORS
  - (4) HEX NUTS TO BE SHIPPED SEPARATELY IN EACH CARTON WITH MOTOR.

GREEN(GRD)	11.5/12.5 [292/318]	# 8 EYELET
RED	29/31 [737/787]	.50 [12.7] SKIN
BLUE	29/31 [737/787]	.50 [12.7] SKIN
BLACK	29/31 [737/787]	.50 [12.7] SKIN
PURPLE	29/31 [737/787]	.50 [12.7] SKIN

REGAL-BELOIT CORPORATION (RBC) PROVIDES TECHNICAL ASSISTANCE TO OUR CUSTOMERS IN SEVERAL AREAS. SINCE RBC DOES NOT RECEIVE ALL DATA CONCERNING THE USE AND APPLICATION OF THE MOTOR, THE SUITABILITY OF THE MOTOR FOR THE APPLICATION MUST BE DETERMINED BY THE CUSTOMER.

DIMENSIONS WITHOUT TOLERANCES ARE FOR REFERENCE ONLY.

MAIN FR. - OLE	ENCLOSED
END FR. - OLE	OPEN
MAIN FR. - LE	ENCLOSED
END FR. - LE	OPEN

LEAD DATA

DRAWING REVISION	REVISION BY	DATE
ECO	J. RUPERT	05-24-2023
ECR-0225946	APPROVED BY	DATE
	J. RUPERT	05-24-2023
ECHO DESCRIPTION		
CHANGED UL FILE NUMBER TO LOGO		
<small>           COPYRIGHT REGAL-BELOIT AMERICA, INC. ALL RIGHTS RESERVED. PROPRIETARY AND CONFIDENTIAL INFORMATION - THIS DOCUMENT IS THE PROPERTY OF REGAL-BELOIT AMERICA, INC. "COPY" AND CONTAINS OWNER'S PROPRIETARY INFORMATION. ANY PERSON, CORPORATION OR OTHER FIRM RECEIVING IT IS DEEMED TO HAVE AGREED THAT IT, AND/OR ANY PART OF IT, SHALL NOT BE DISCLOSED TO ANY PERSON, CORPORATION OR OTHER ENTITY, DUPLICATED, AND/OR USED, EXCEPT AS EXPRESSLY APPROVED IN WRITING BY OWNER. THIS DOCUMENT SHALL BE RETURNED TO OWNER UPON REQUEST. IT MAY BE SUBJECT TO CERTAIN RESTRICTIONS UNDER APPLICABLE EXPORT CONTROL LAWS AND REGULATIONS.         </small>		

ENCLOSURE

DRAWN BY:	W. CORTEZ
DATE:	05-23-2013
APPROVED BY:	J. DE LUNA
DATE:	05-23-2013
REFERENCE:	
THIRD ANGLE PROJECTION	

DESCRIPTION	MODEL-RFHP-42FR OUTLINE
MATERIAL	
PROCESS/FINISH	
SIZE	DWG NO. RF4400
SHEET	1